

[54] LIPSTICK CONTAINER

[76] Inventor: Chun-Te Wang, 230-2 Hsi-Men St., Hsinchu, Taiwan

[\*\*] Term: 14 Years

[21] Appl. No.: 130,972

[22] Filed: Dec. 10, 1987

[52] U.S. Cl. .... D28/86; D3/39; D9/341

[58] Field of Search ..... D28/73-90; 132/293-336; 206/823, 581, 385, 235; 401/49-117; 220/DIG. 26

[56] References Cited

U.S. PATENT DOCUMENTS

D. 82,293	5/1930	Weidnder	.....	D28/77
D. 141,980	5/1945	Holland	.....	D3/39
D. 158,396	6/1949	Lipson	.....	D28/86
D. 253,307	10/1979	Natale	.....	D28/73
1,216,979	2/1917	Freed	.....	132/316 X
2,595,403	5/1948	Neuschaefer	.....	401/52

2,805,674 10/1952 Dulberg ..... 132/316  
3,591,298 7/1971 Green ..... D28/86 X

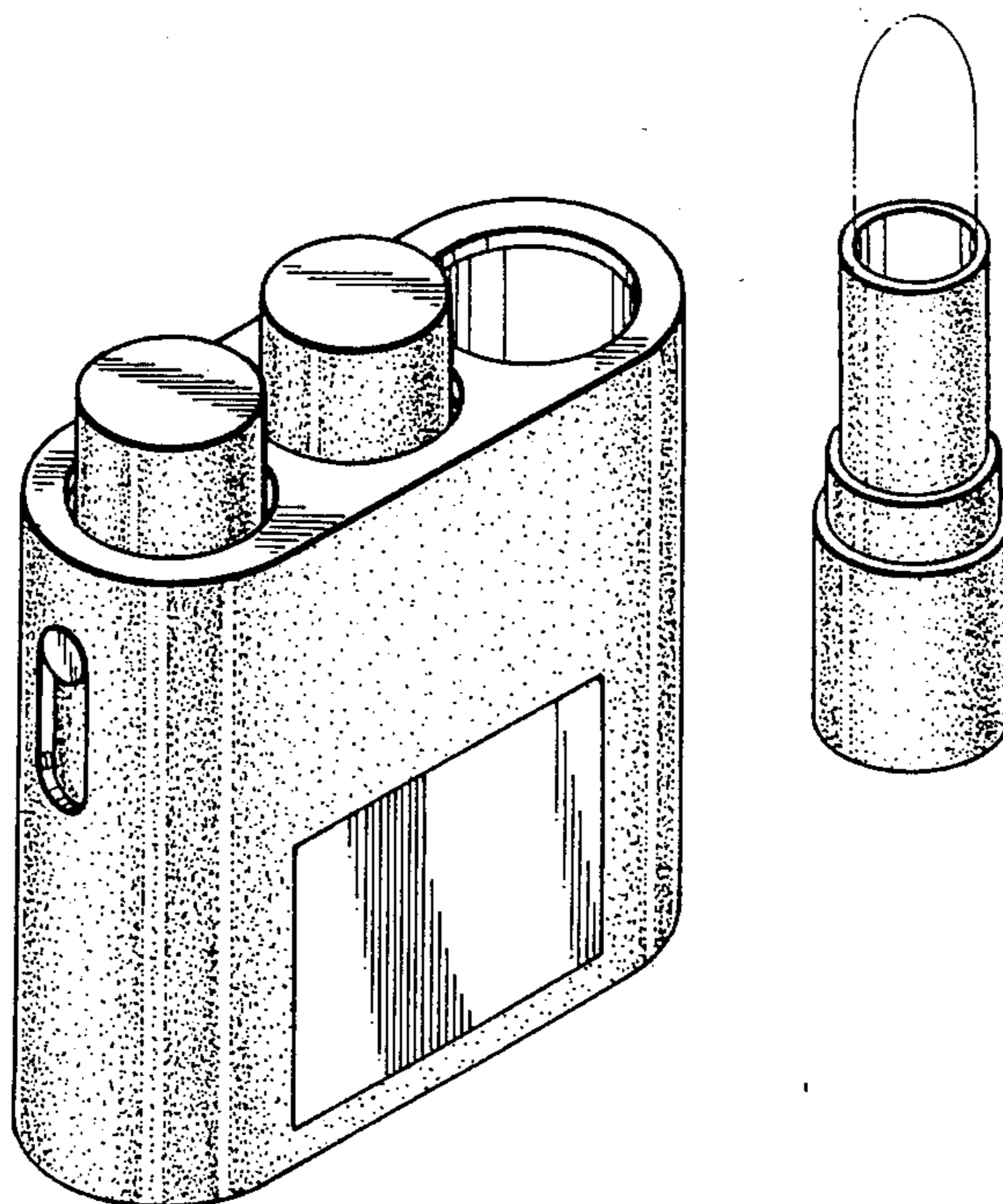
Primary Examiner—Bernard Ansher  
Assistant Examiner—C. Tuttle  
Attorney, Agent, or Firm—Sherman and Shalloway

[57] CLAIM

The ornamental design for a lipstick container, as shown and described.

DESCRIPTION

FIG. 1 is a front elevational view of a lipstick container showing my new design;  
FIG. 2 is a rear elevational view thereof;  
FIG. 3 is a right side elevational view thereof, the undisclosed left side is a mirror image of FIG. 3;  
FIG. 4 is a top plan view thereof;  
FIG. 5 is a bottom plan view thereof;  
FIG. 6 is a perspective view thereof; and  
FIG. 7 is an exploded perspective view thereof, showing the lipstick dispenser. The lipstick in broken lines is shown for illustrative purposes only.



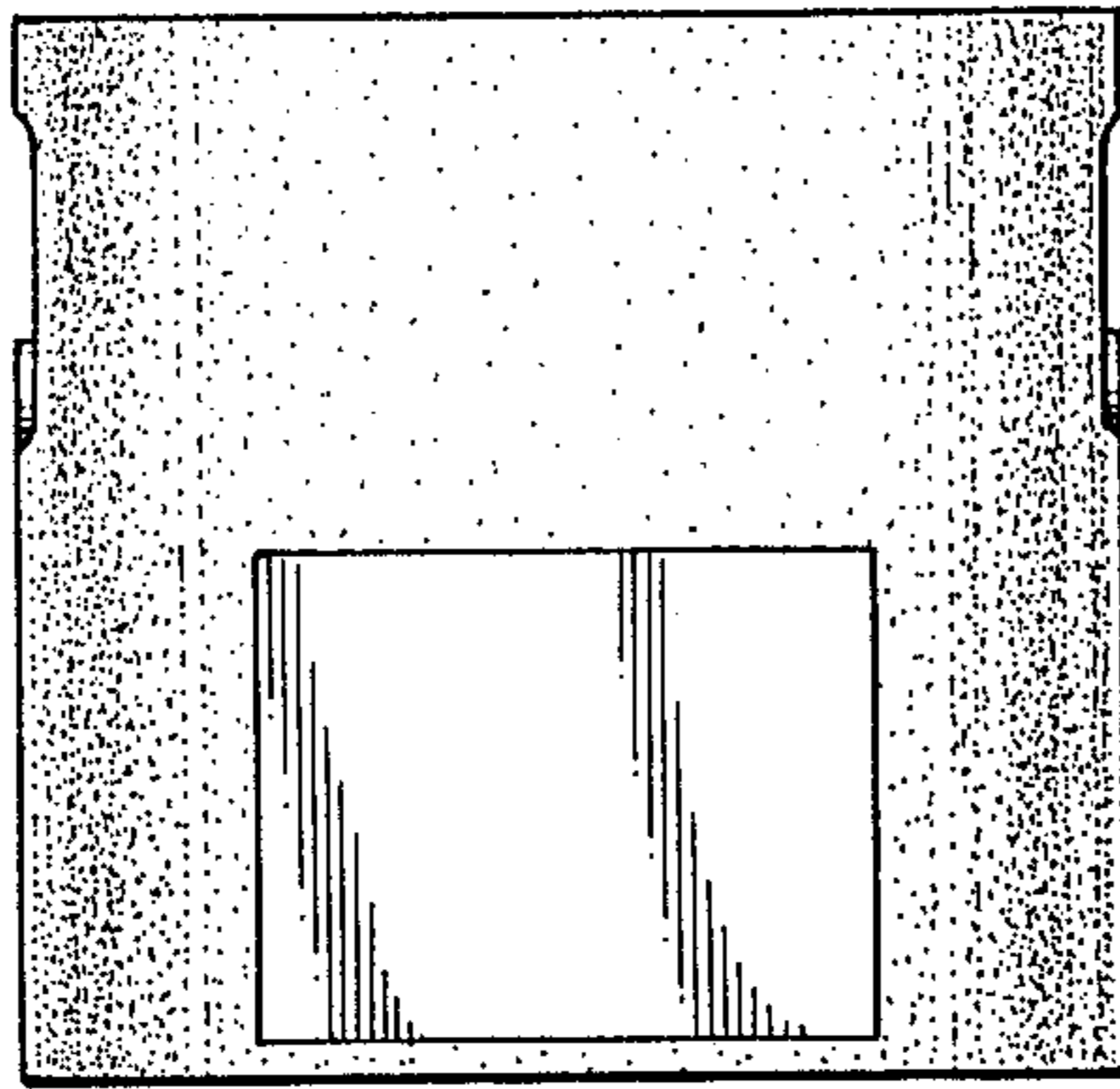


FIG. 1

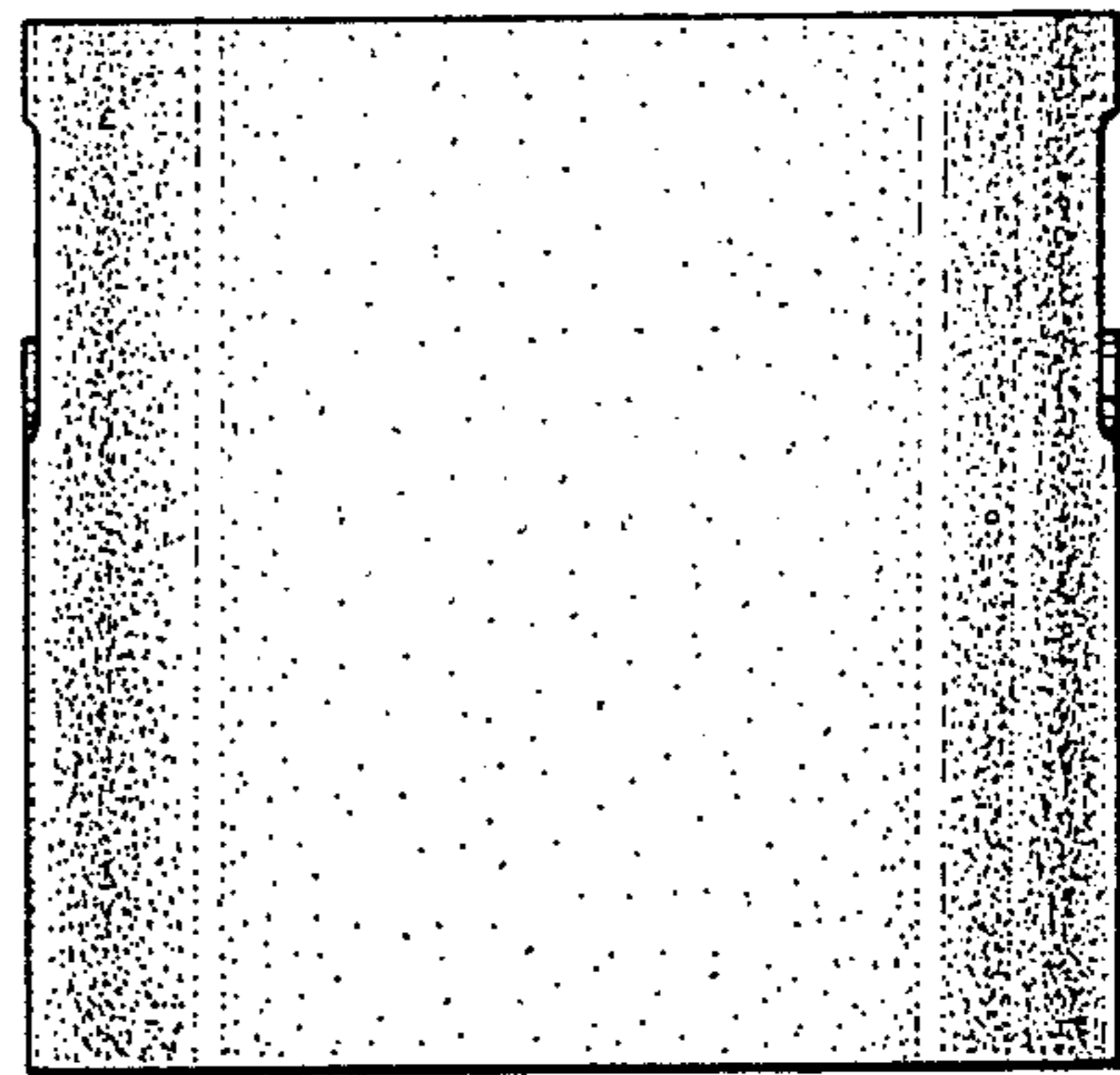


FIG. 2

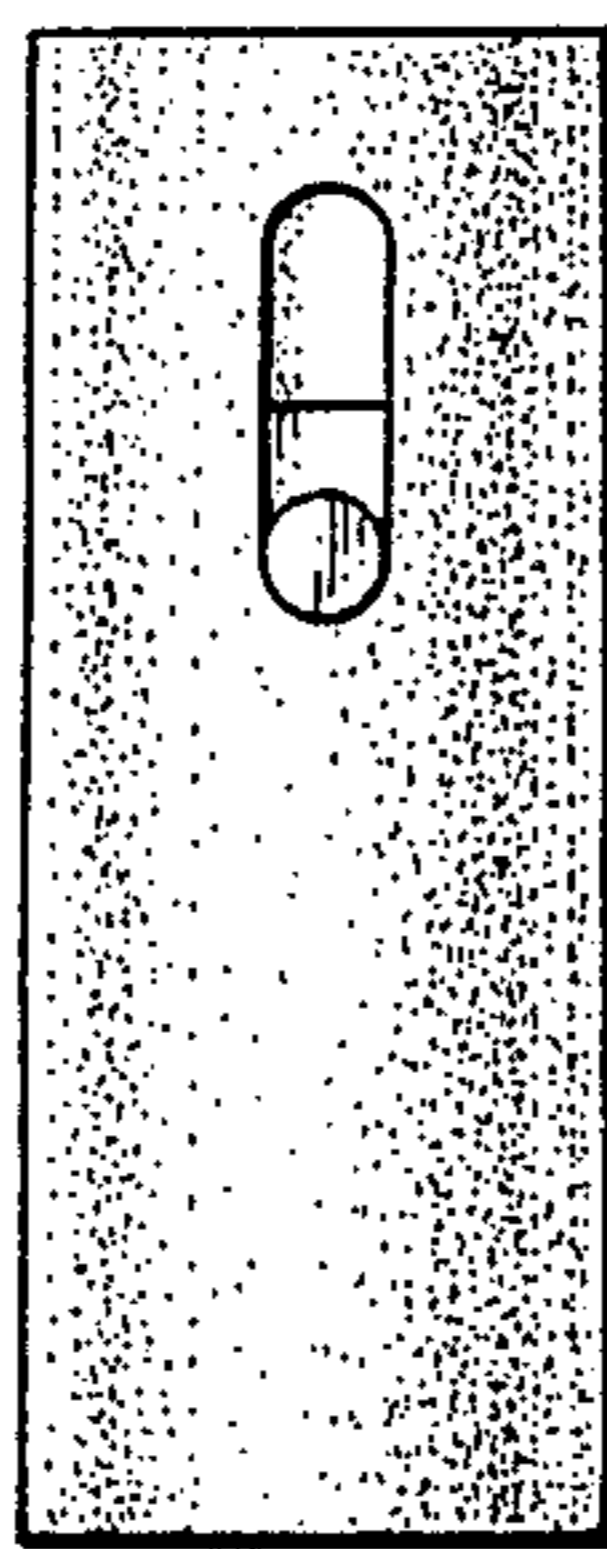


FIG. 3

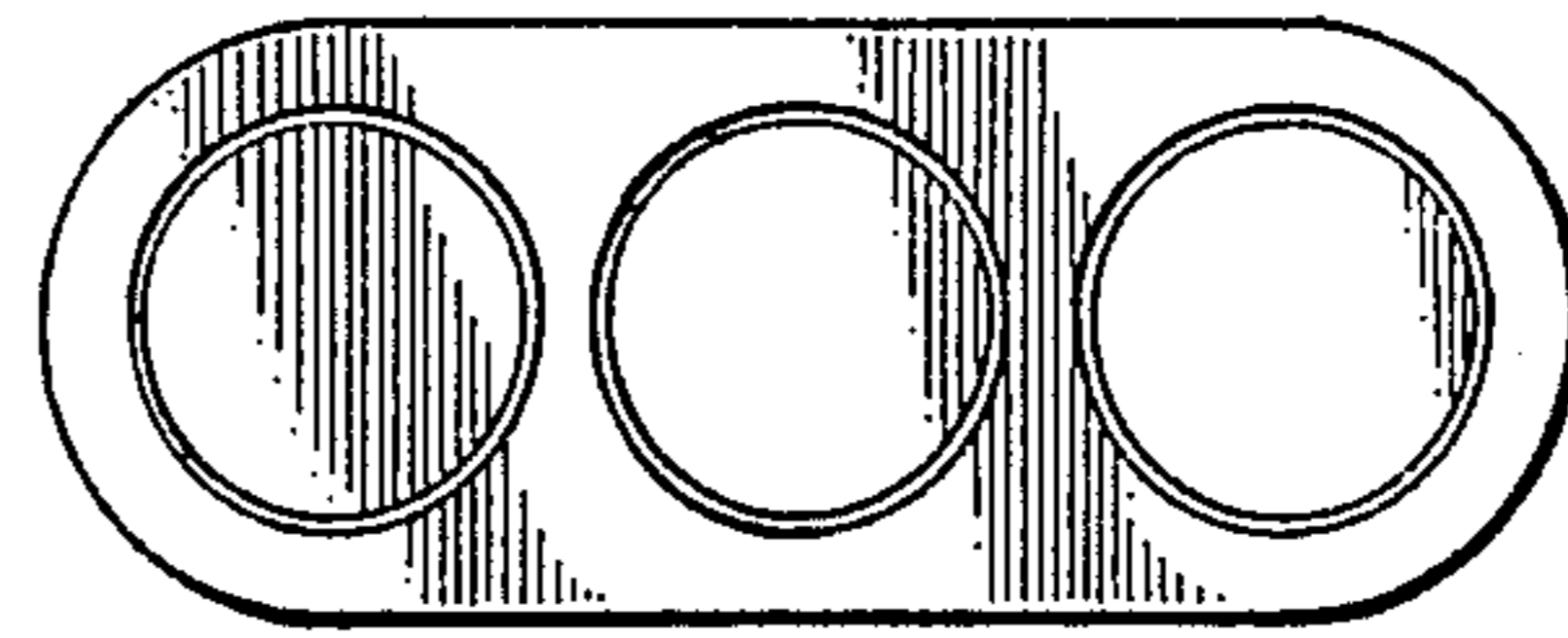


FIG. 4

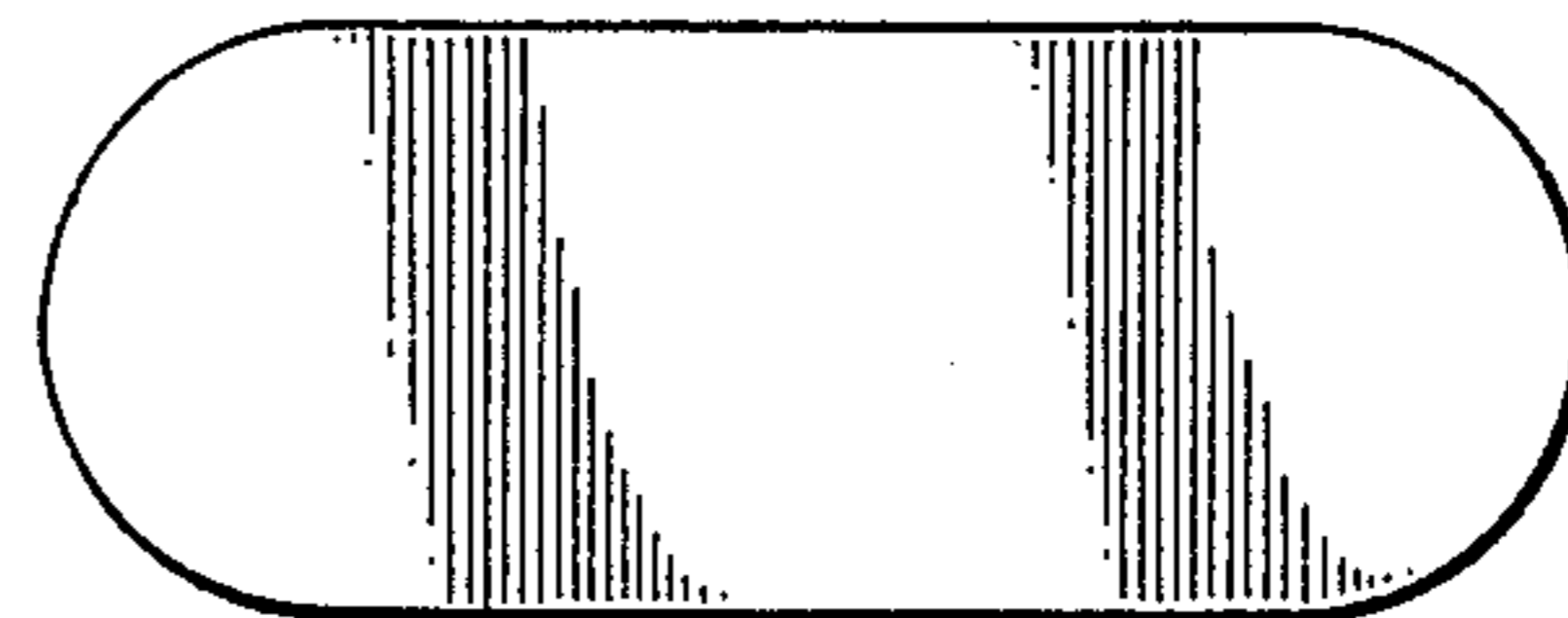


FIG. 5

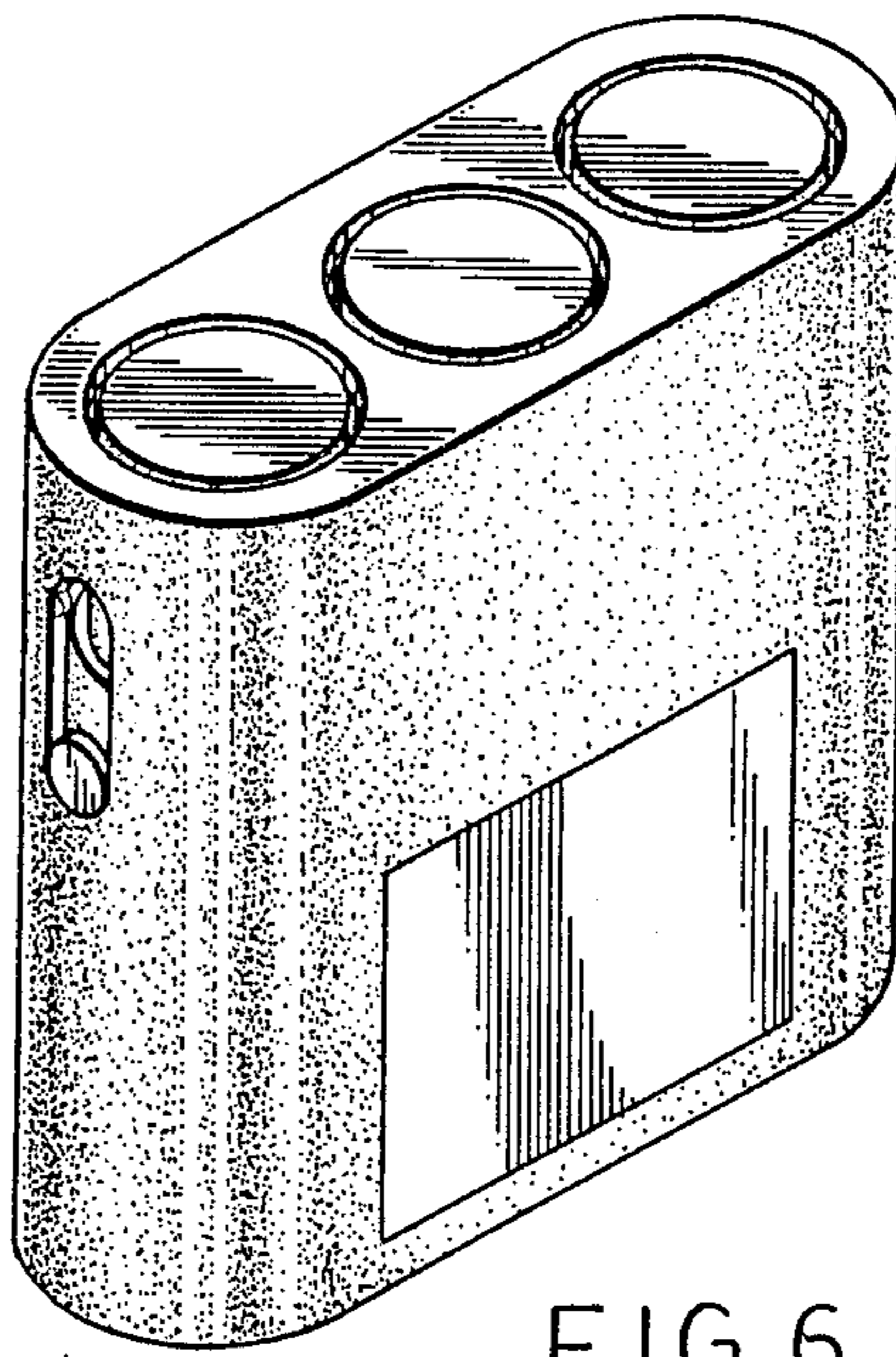


FIG. 6

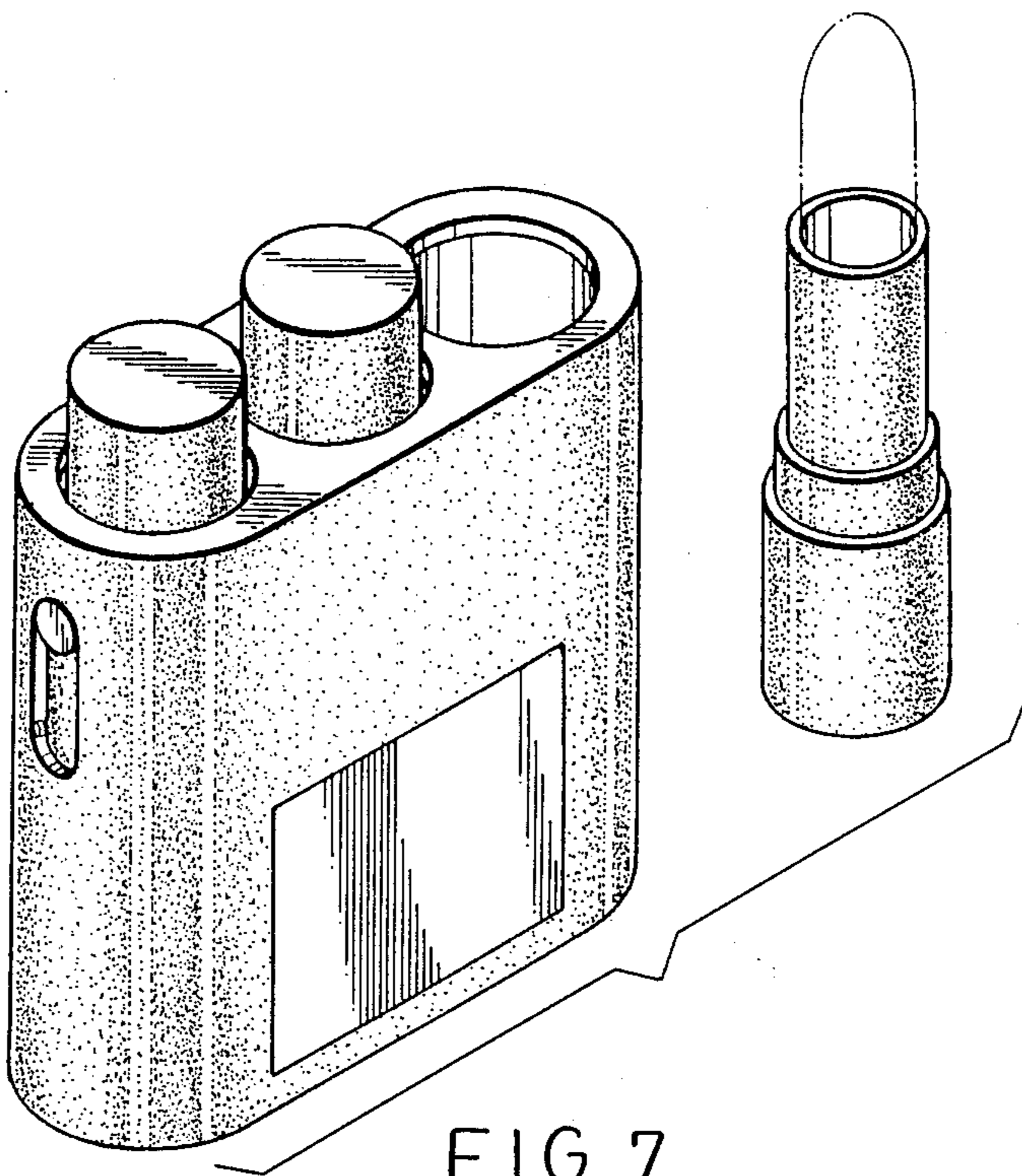


FIG. 7