

[54] COMBINED CONTAINER/BOTTLE AND COSMETIC WAND APPLICATORS OR THE LIKE

[75] Inventors: Henry J. Cassai, 163-47 85 St., Howard Beach, N.Y. 11414; Gino H. Cassai, Brooklyn, N.Y.

[73] Assignee: Henry J. Cassai, Howard Beach, N.Y.

[**] Term: 14 Years

[21] Appl. No.: 329,498

[22] Filed: Mar. 28, 1989

Related U.S. Application Data

- [62] Division of Ser. No. 736,448, May 21, 1985.
- [52] U.S. Cl. D28/77; D28/83
- [58] Field of Search D28/47, 73-91.1; D3/39; D9/341, 352-355, 337, 338, 370, 371, 375; 220/DIG. 26; 206/235, 385, 581, 823; 132/286, 288, 293, 294, 297-301, 303-305, 313-318

[56] References Cited

U.S. PATENT DOCUMENTS

D. 64,249	3/1924	Jaroslawski-Foret	D28/85
D. 120,662	5/1940	Christy	D28/86
D. 167,690	9/1952	Hopgood	D28/86
D. 183,674	10/1958	Bau	D28/7 X
D. 278,208	4/1985	Cassai et al.	D9/352
2,465,946	3/1949	Velez	D28/77 X

Primary Examiner—Louis S. Zarfes

[57] CLAIM

The ornamental design for combined container/bottle and cosmetic wand applicators or the like, as shown and described.

DESCRIPTION

FIG. 1 is an exploded front elevational view of a combined container/bottle and cosmetic wand applicators or the like, showing our new design;

FIG. 2 is an exploded rear elevational view thereof;

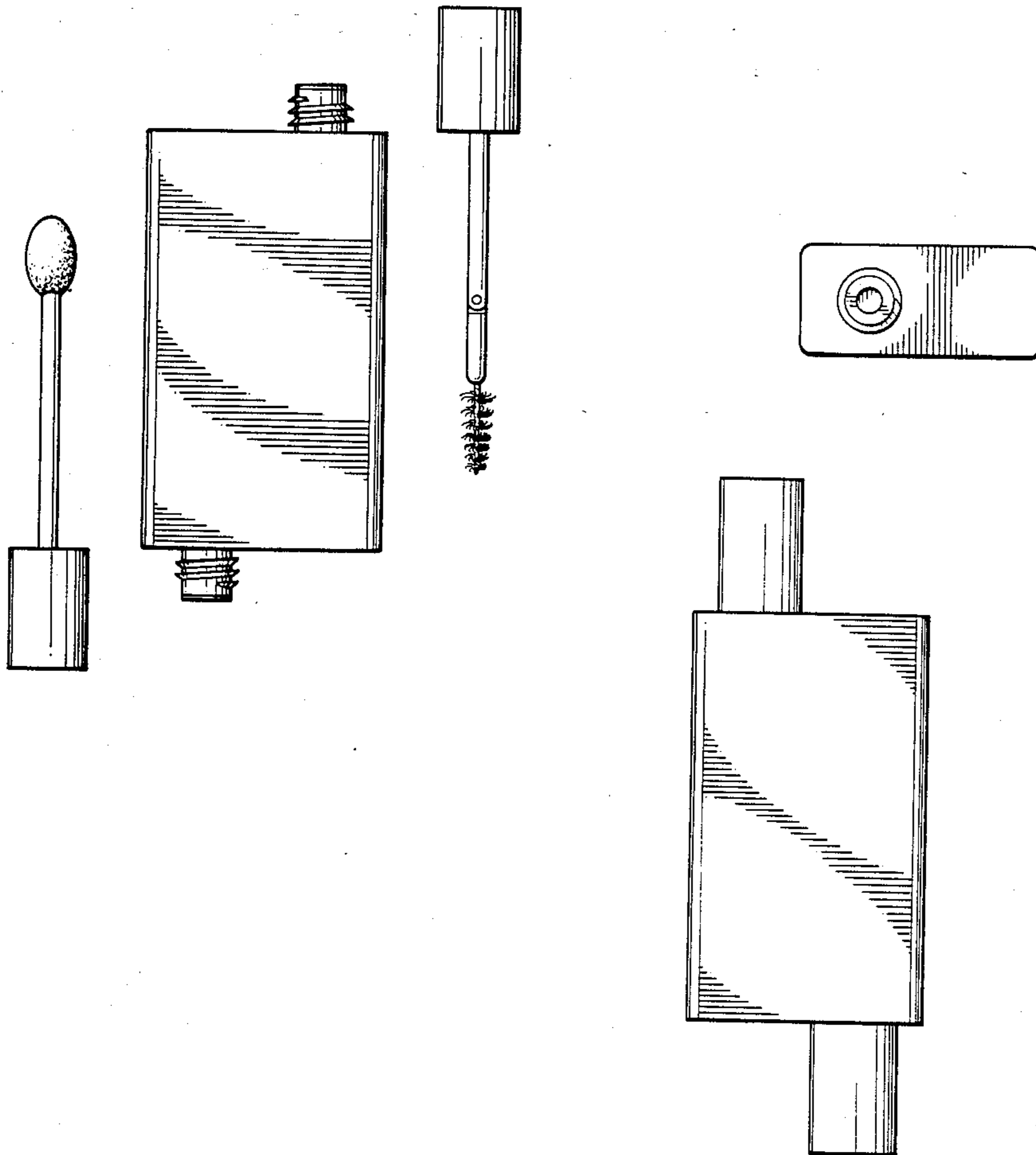
FIG. 3 is a side elevational view, the opposite side being the same;

FIG. 4 is another side elevational view showing a second embodiment of our new design, wherein the caps have been modified;

FIG. 5 is a top plan view of FIG. 1 with cap removed;

FIG. 6 is a bottom plan view thereof, with cap removed;

FIG. 7 is a front elevational view of the first embodiment.



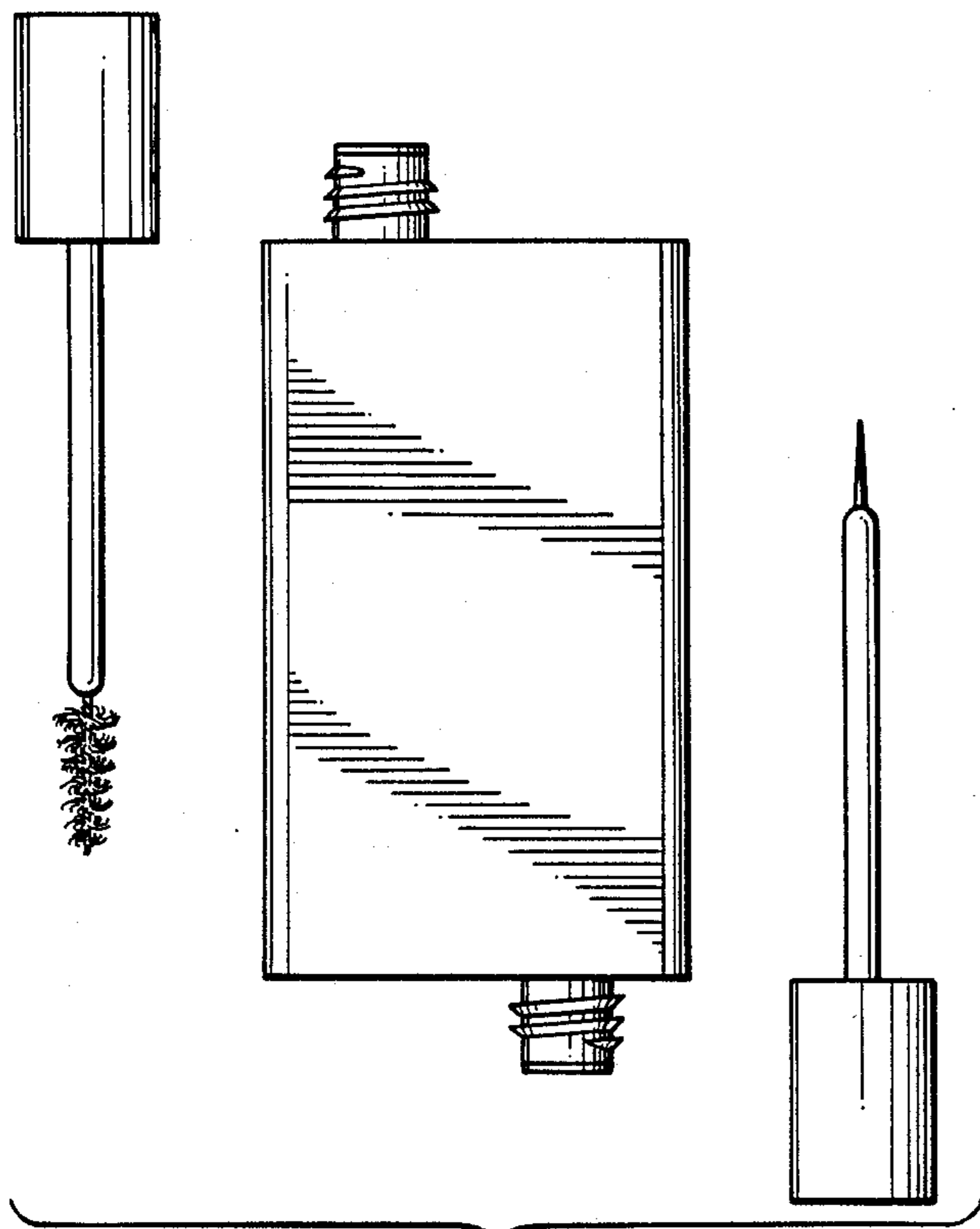


FIG. 1

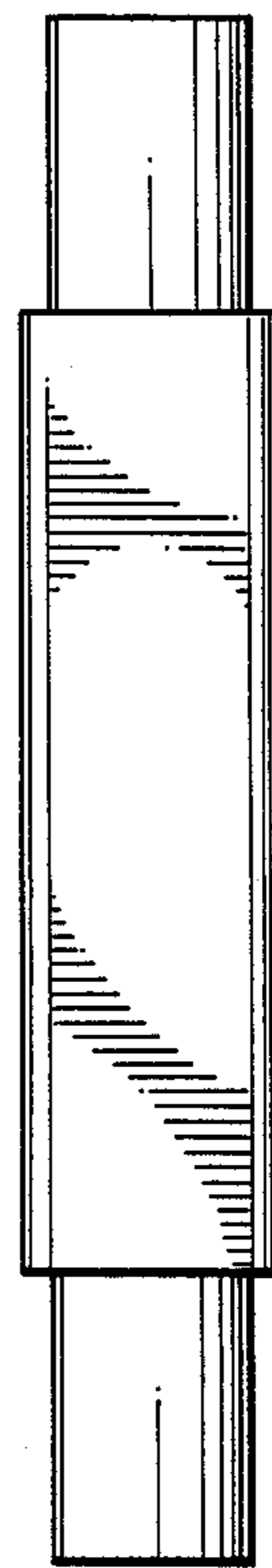


FIG. 3

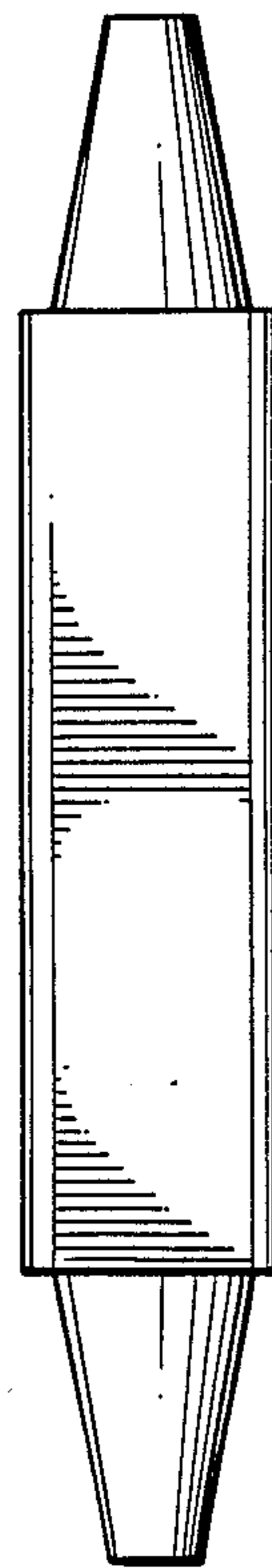


FIG. 4

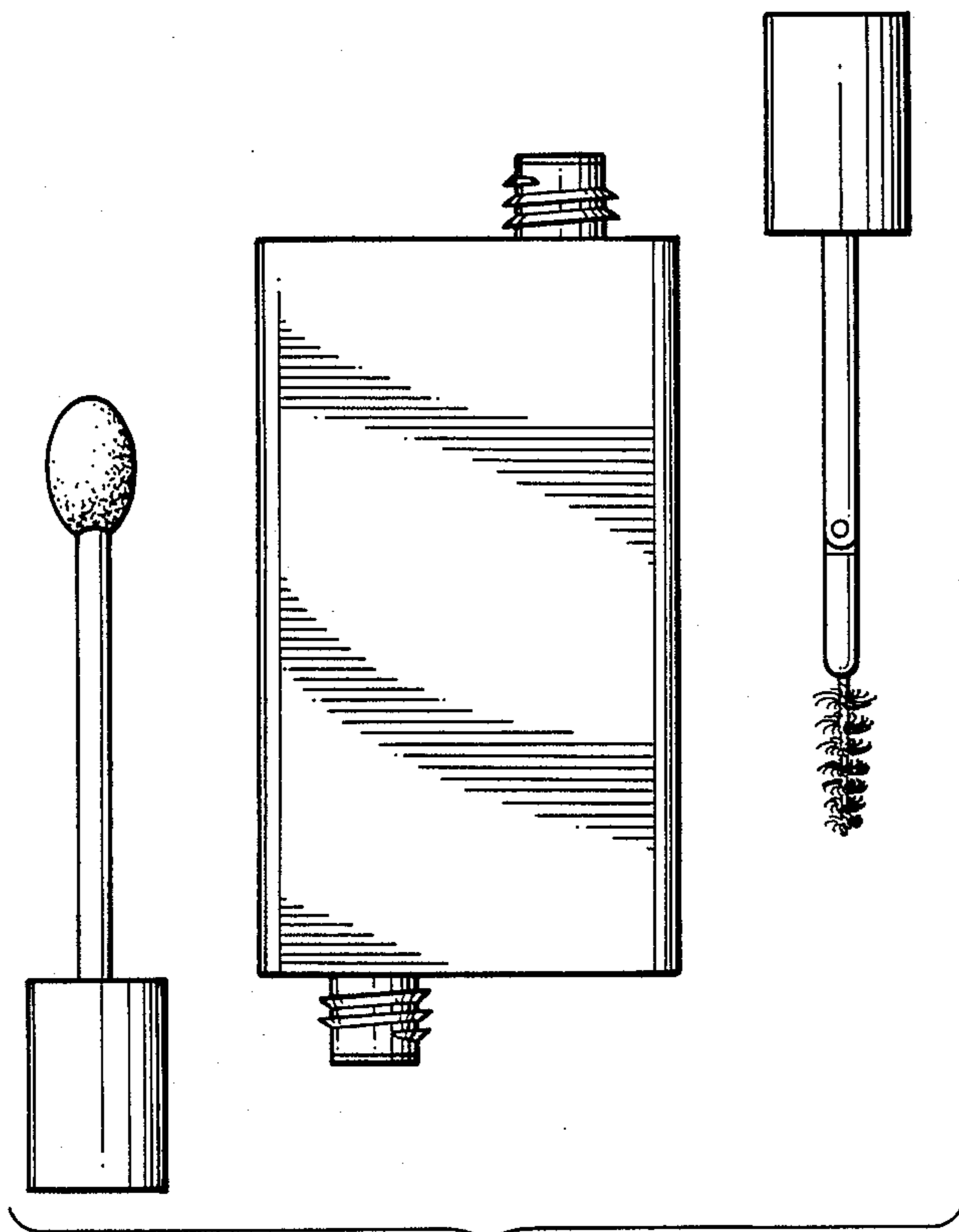


FIG. 2

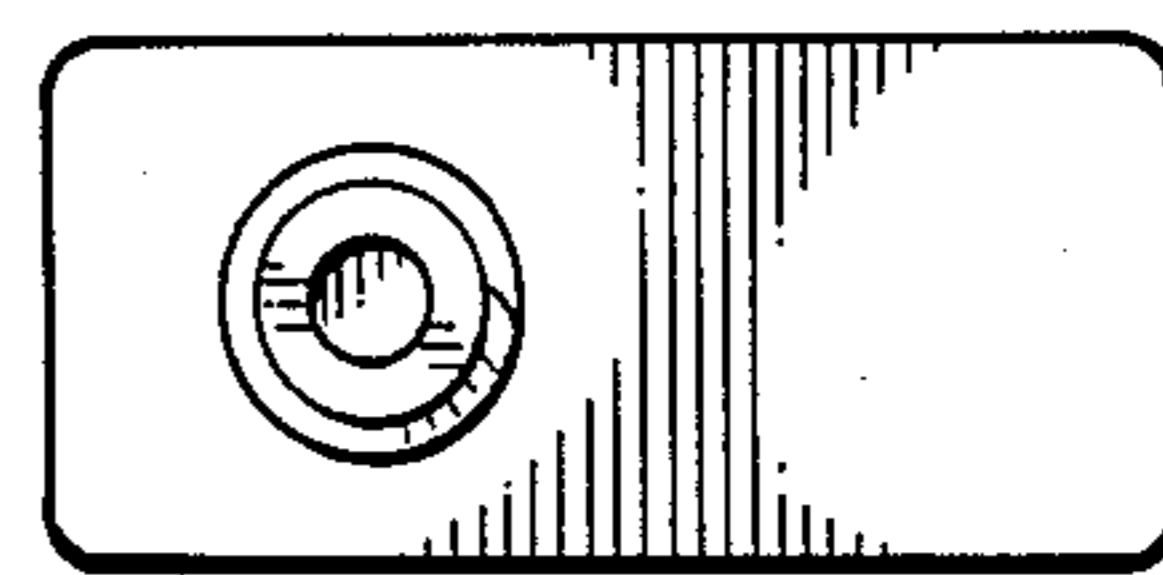


FIG. 5

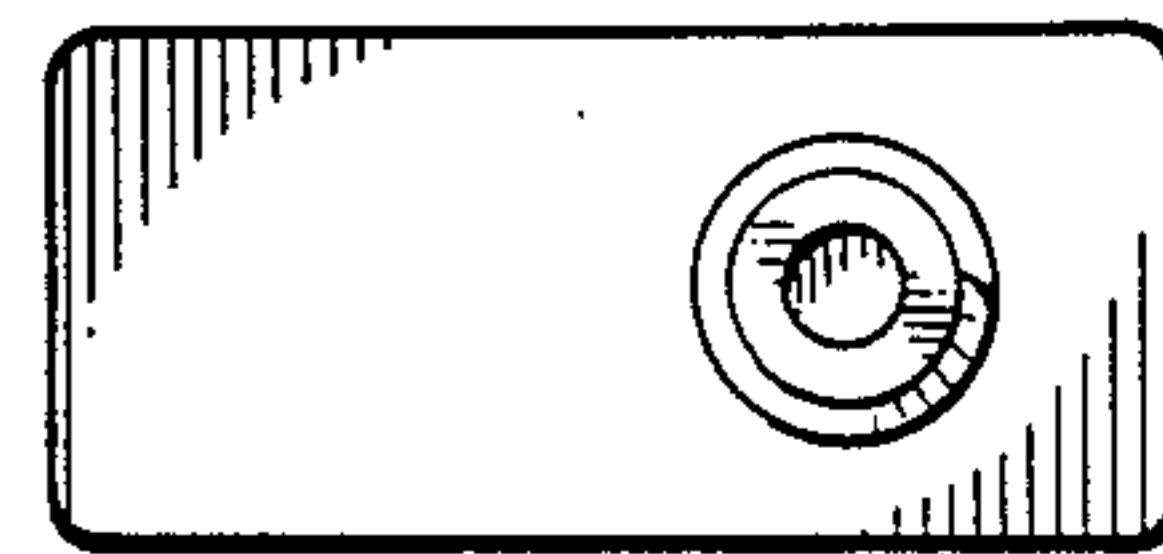


FIG. 6

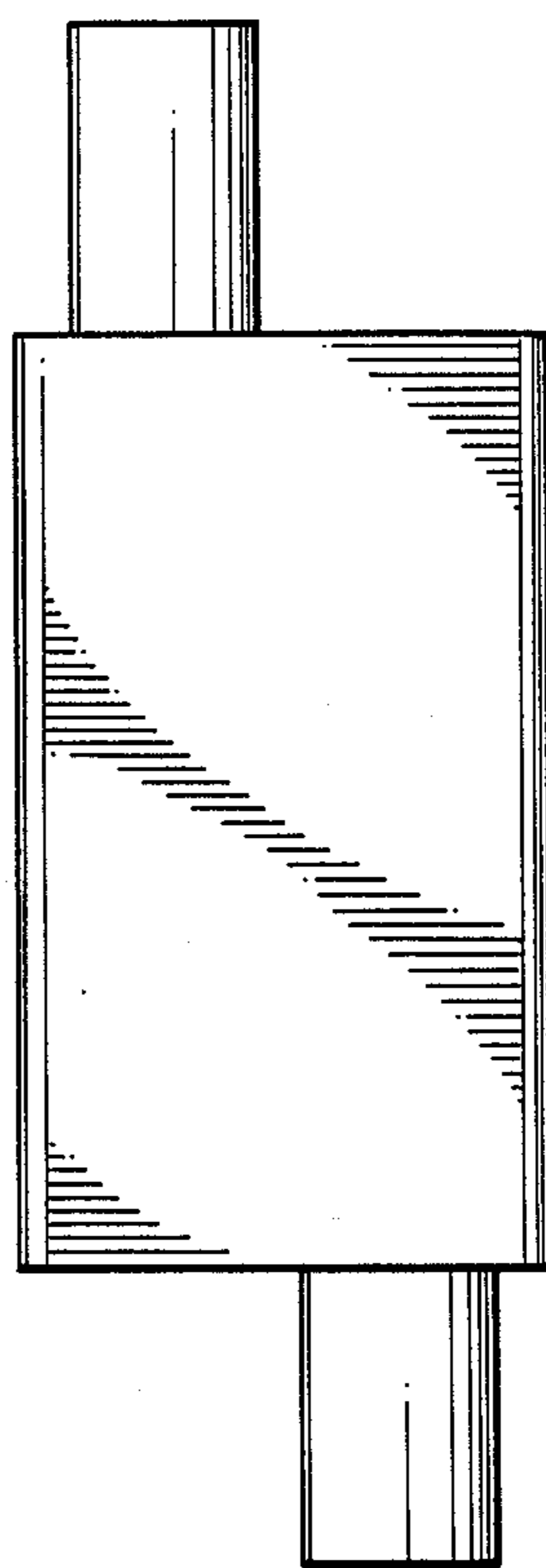


FIG. 7