

[54] **OVERCAP FOR A SHAVING UNIT**

[75] **Inventor: Michael J. Gray, Duxbury, Mass.**

[73] **Assignee: The Gillette Company, Boston, Mass.**

[\*\*] **Term: 14 Years**

[21] **Appl. No.: 48,912**

[22] **Filed: May 12, 1987**

[52] **U.S. Cl. .... D28/45; D9/342**

[58] **Field of Search ..... D28/44-54;  
D9/342, 425; 30/32, 32.05, 34.1, 47, 50, 84-86,  
90**

D. 251,896 5/1979 Nissen ..... D9/425  
D. 255,056 6/1982 Hadtke ..... D9/342  
D. 282,979 3/1986 Nagelkerke et al. .... D28/50

*Primary Examiner—Louis S. Zarfes  
Attorney, Agent, or Firm—Scott R. Foster*

[57] **CLAIM**

The ornamental design for an overcap for a shaving unit, as shown and described.

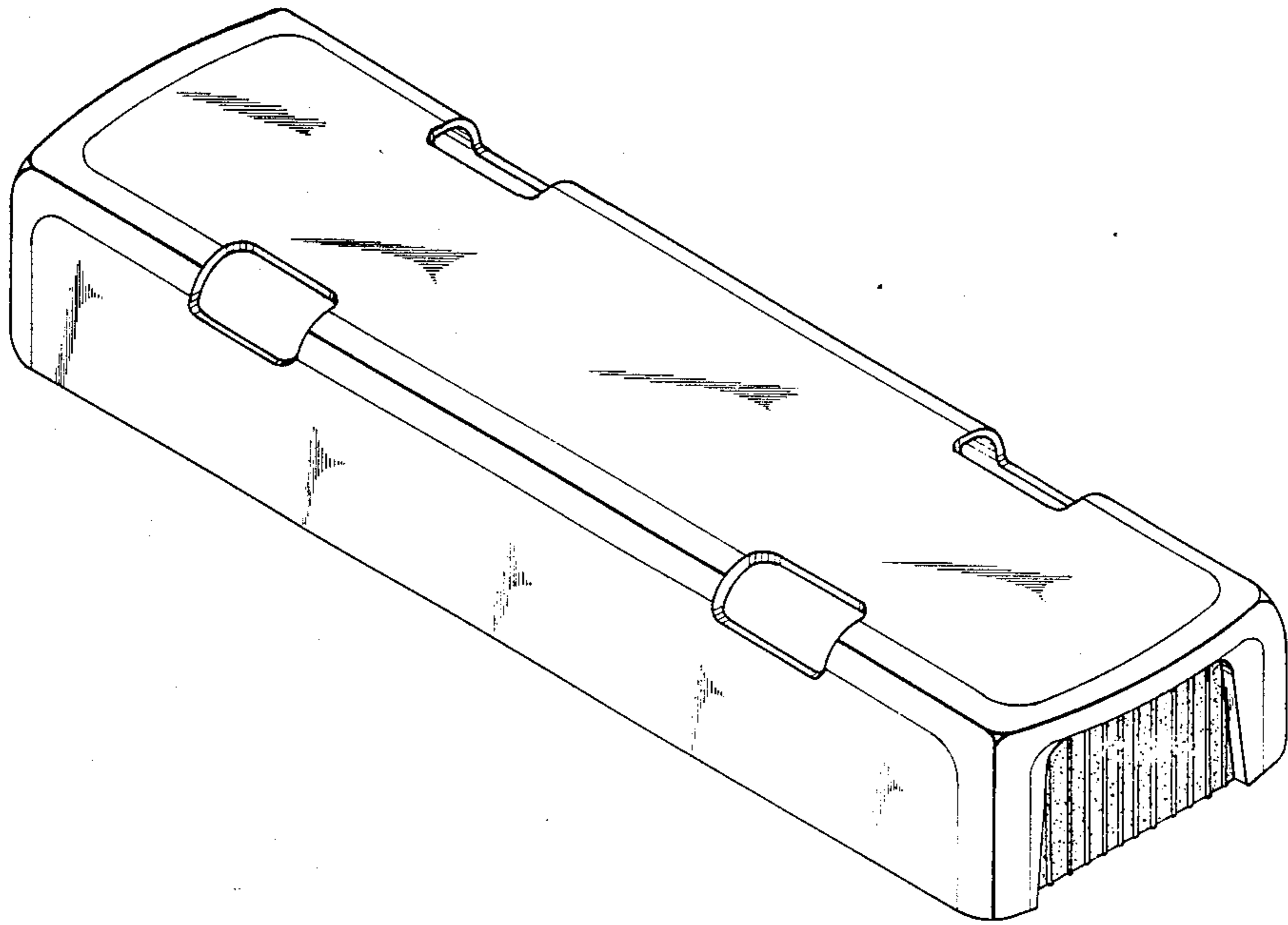
**DESCRIPTION**

FIG. 1 is a top plan view of an overcap for a shaving unit, showing my new design;  
FIG. 2 is a front elevational view thereof;  
FIG. 3 is an end elevational view thereof;  
FIG. 4 is a bottom plan view thereof; and  
FIG. 5 is a perspective view thereof.  
The overcap is bilaterally symmetrical.

[56] **References Cited**

**U.S. PATENT DOCUMENTS**

D. 134,703 12/1942 Upham ..... D28/51 X  
D. 241,122 8/1976 Gatley ..... D9/342



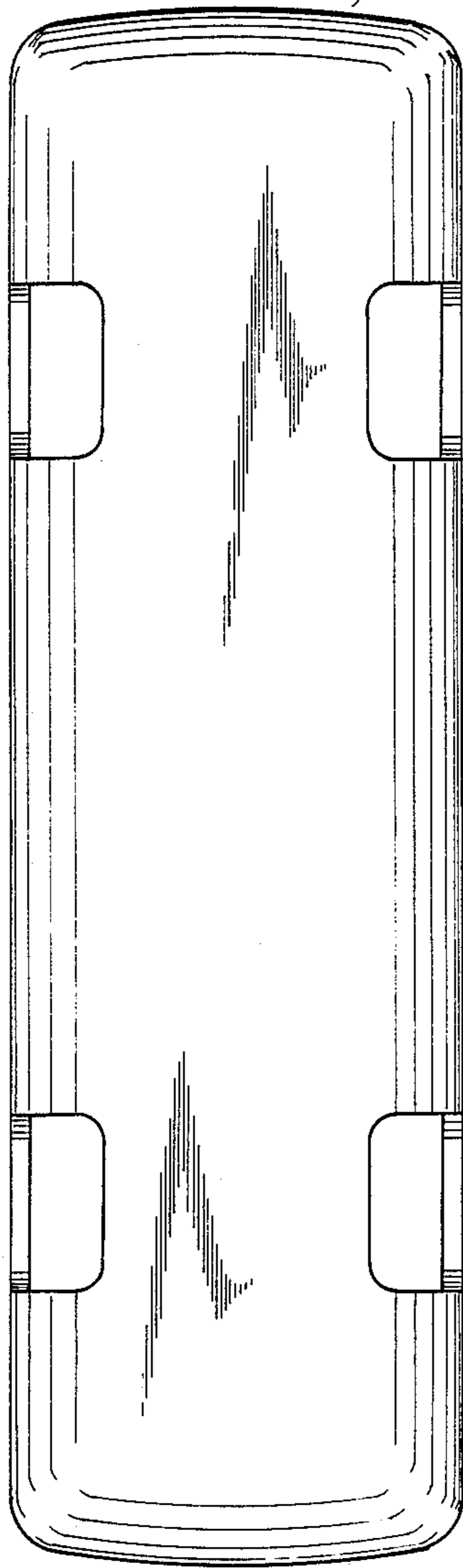


FIG. 1

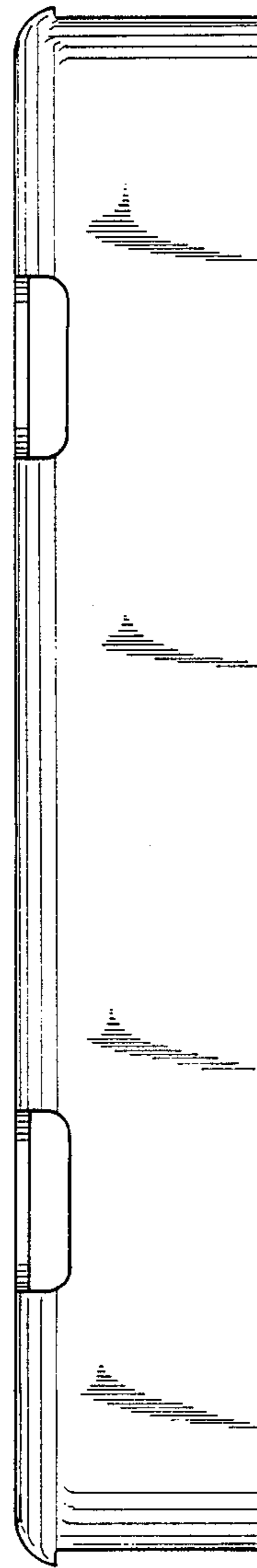


FIG. 2

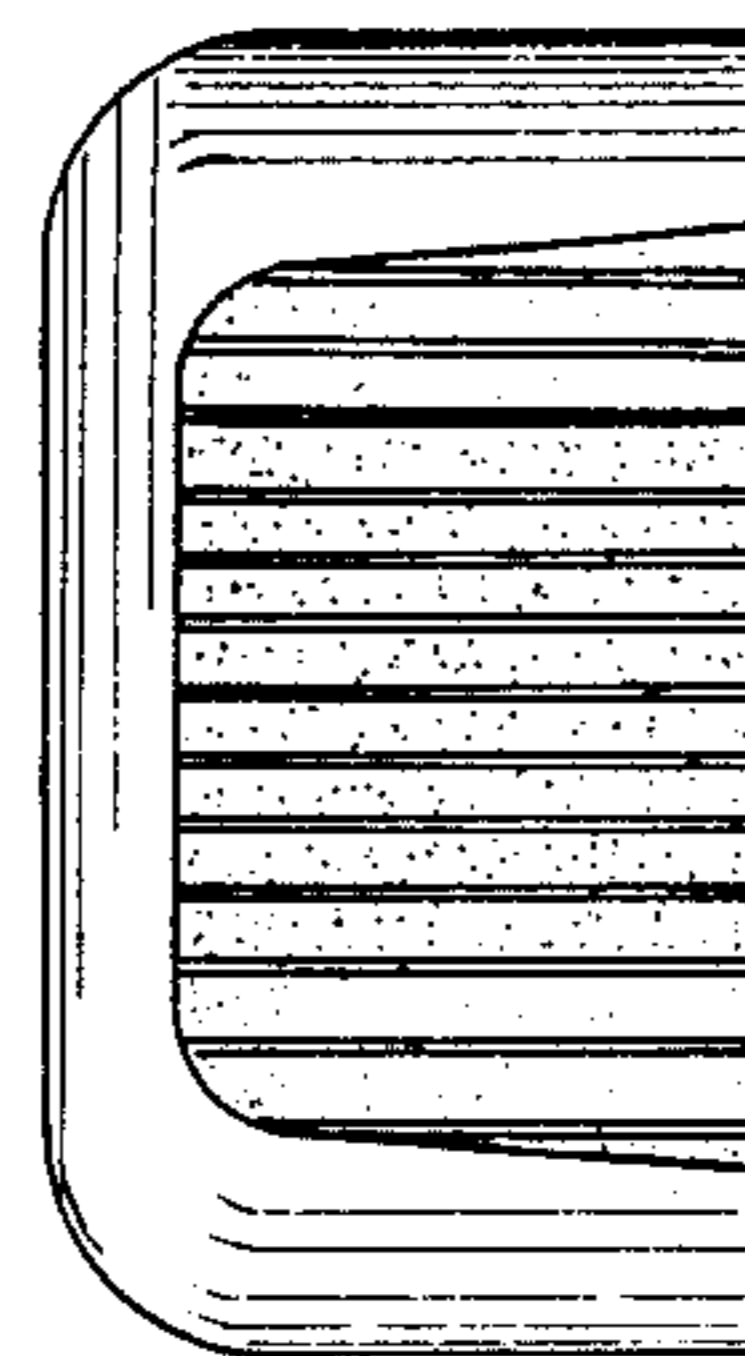


FIG. 3

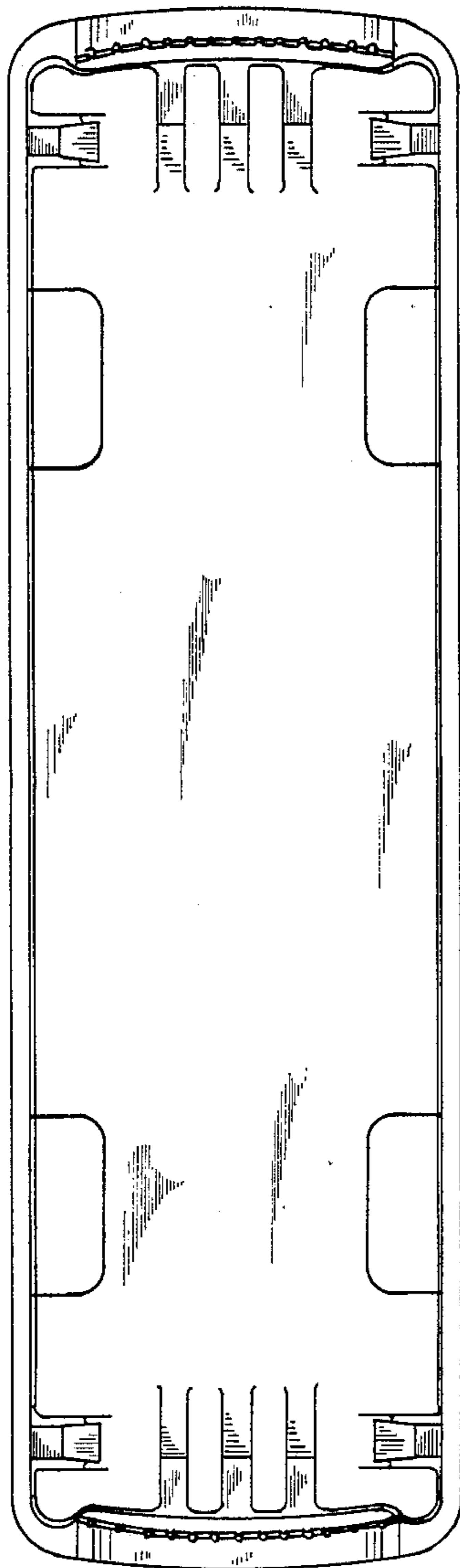


FIG. 4

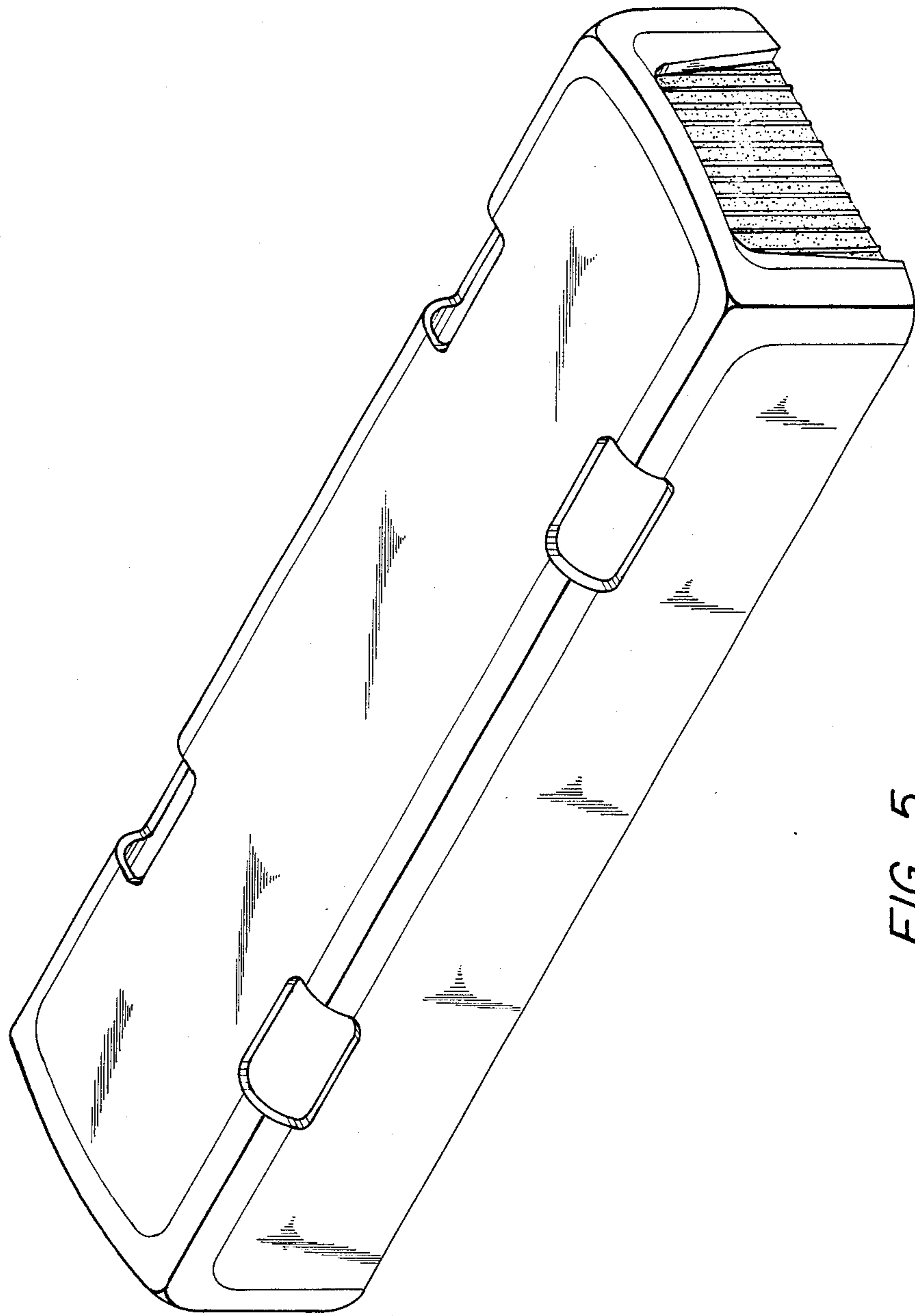


FIG. 5