

[54] SUN TAN OIL APPLICATOR

[76] Inventor: J. Brian Delphus, 912 Latonka Dr., Mercer, Pa. 16137

[**] Term: 14 Years

[21] Appl. No.: 96,323

[22] Filed: Sep. 14, 1987

[52] U.S. Cl. D28/7

[58] Field of Search D28/7, 64.4; D8/303; D4/110; 132/320

[56] References Cited

U.S. PATENT DOCUMENTS

- D. 297,467 8/1988 McCann D28/7
- 1,778,040 10/1930 Rutherford 138/118
- 2,666,340 1/1954 Hunt D8/303
- 4,483,636 11/1984 Meyer 132/320

FOREIGN PATENT DOCUMENTS

2522944 9/1983 France D4/110

Primary Examiner—Charles A. Rademaker

Assistant Examiner—David Jeo

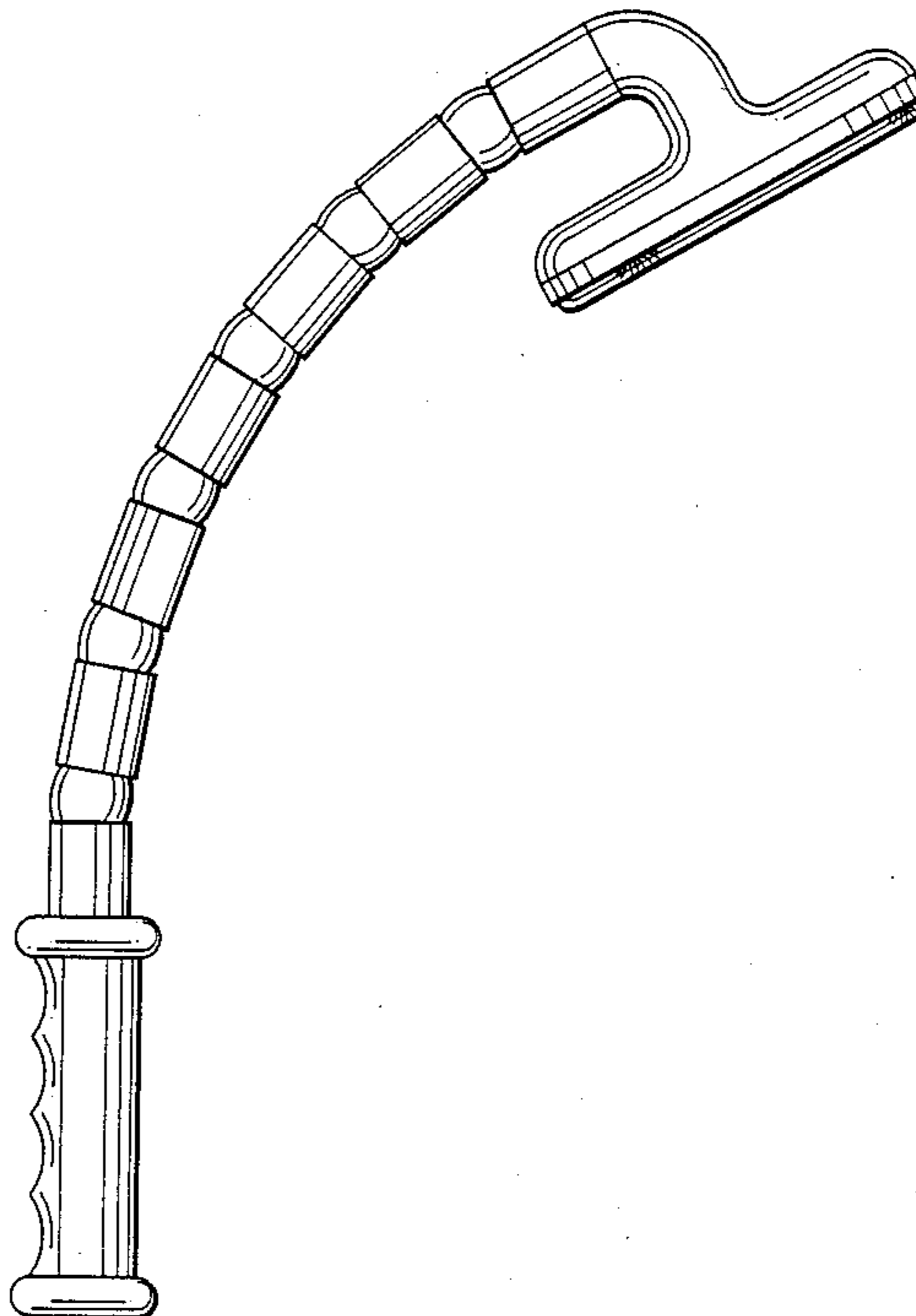
Attorney, Agent, or Firm—Jerry T. Kearns

[57] CLAIM

The ornamental design for a sun tan oil applicator, as shown and described.

DESCRIPTION

FIG. 1 is a front elevational view of a sun tan oil applicator showing my new design;
 FIG. 2 is a rear elevational view thereof;
 FIG. 3 is a left side elevational view thereof;
 FIG. 4 is a right side elevational view thereof;
 FIG. 5 is a top plan view thereof; and,
 FIG. 6 is a bottom plan view thereof.



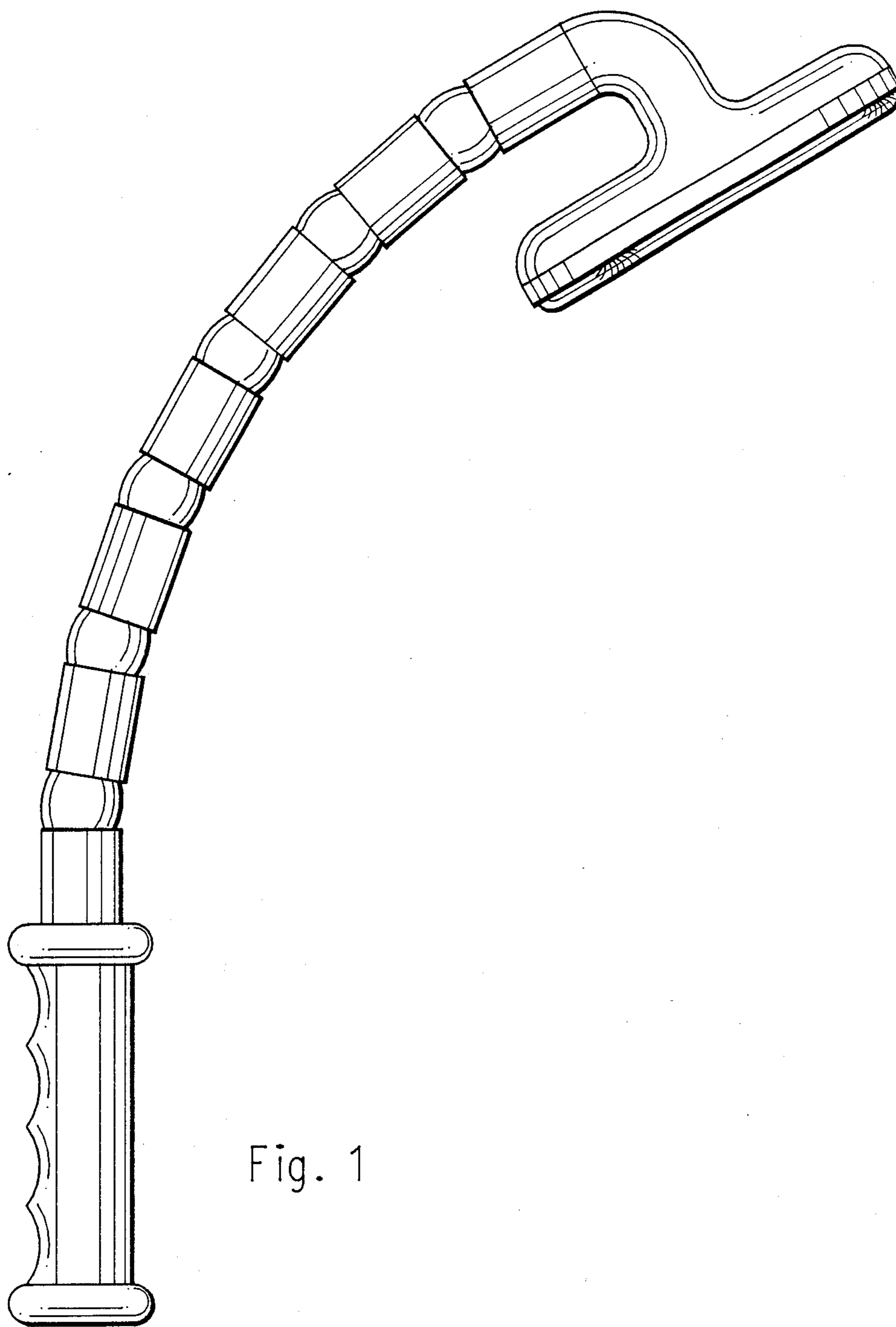


Fig. 1

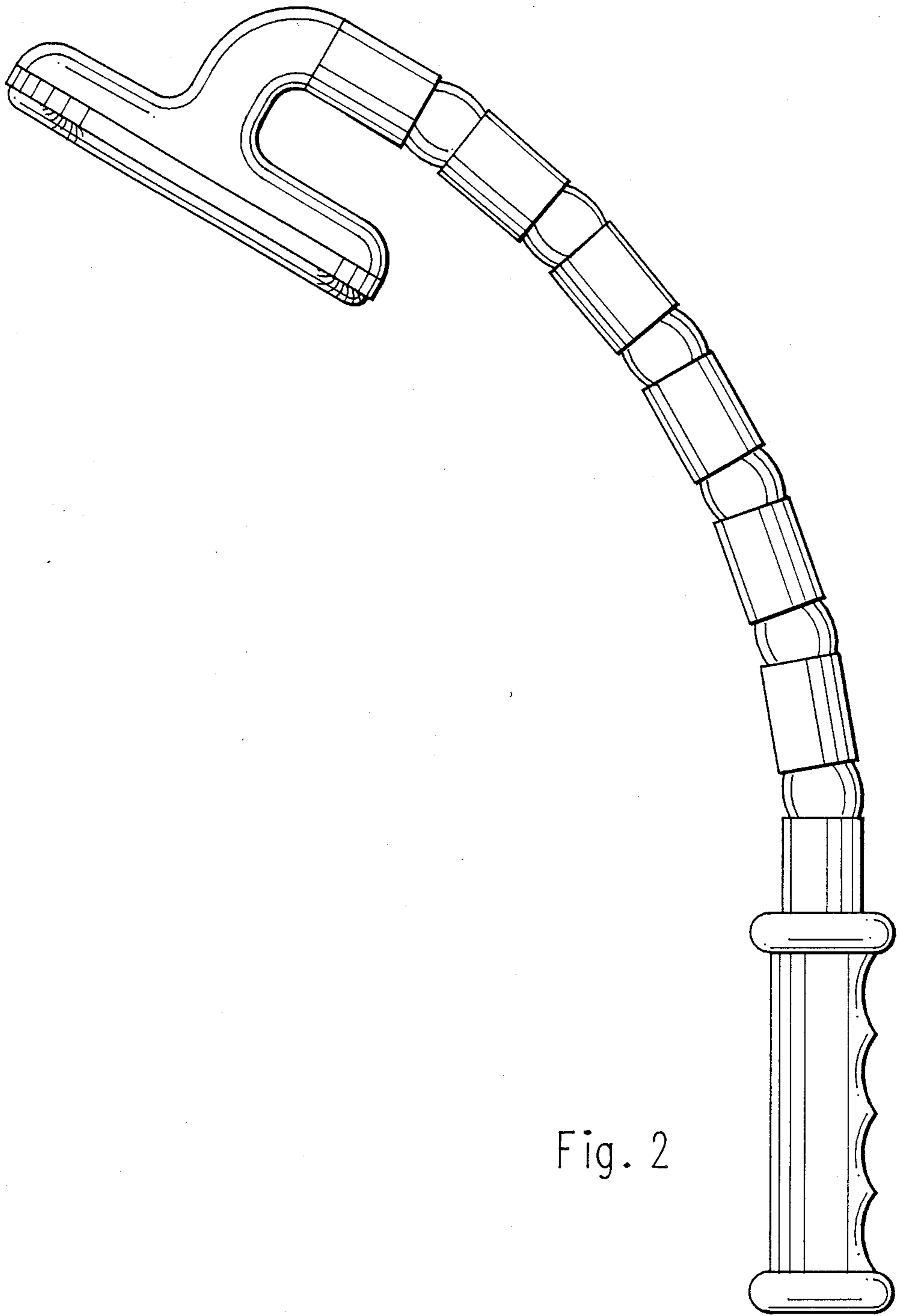


Fig. 2

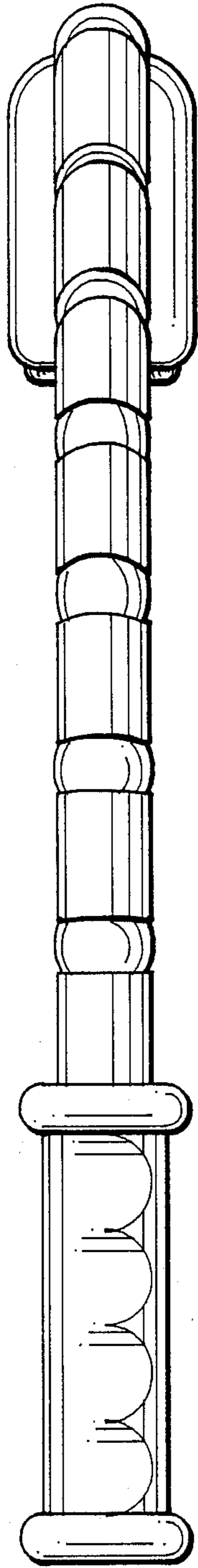


Fig. 3

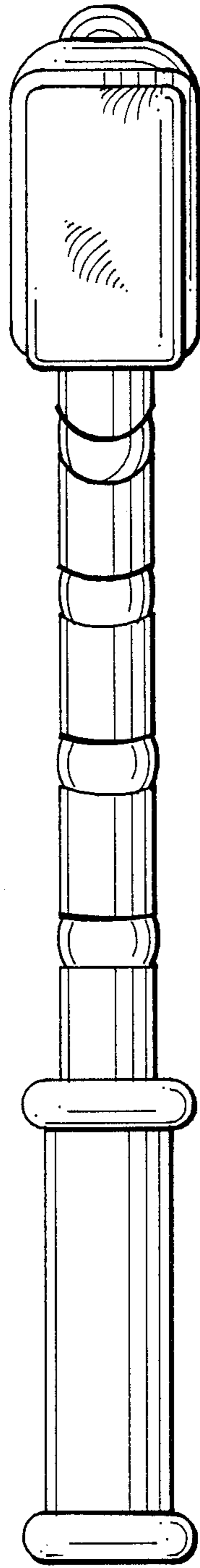


Fig. 4