

[54] COMBINATION TORCH AND AUDIBLE SIGNAL WITH STAND

2,811,714 10/1957 Cook 340/84 X
3,233,092 2/1966 Umholtz 362/183

[75] Inventor: Hideki Maruyama, Hong Kong, Hong Kong

Primary Examiner—Susan J. Lucas
Attorney, Agent, or Firm—Majestic, Parsons, Siebert & Hsue

[73] Assignee: Fee Tat Plastic Factory Limited, Aberdeen, Hong Kong

[57] CLAIM

[**] Term: 14 Years

The ornamental design for a combination torch and audible signal with stand, as shown and described.

[21] Appl. No.: 941,945

DESCRIPTION

[22] Filed: Dec. 15, 1986

[30] Foreign Application Priority Data

Jun. 23, 1986 [GB] United Kingdom 1034931

[52] U.S. Cl. D26/38; D10/114

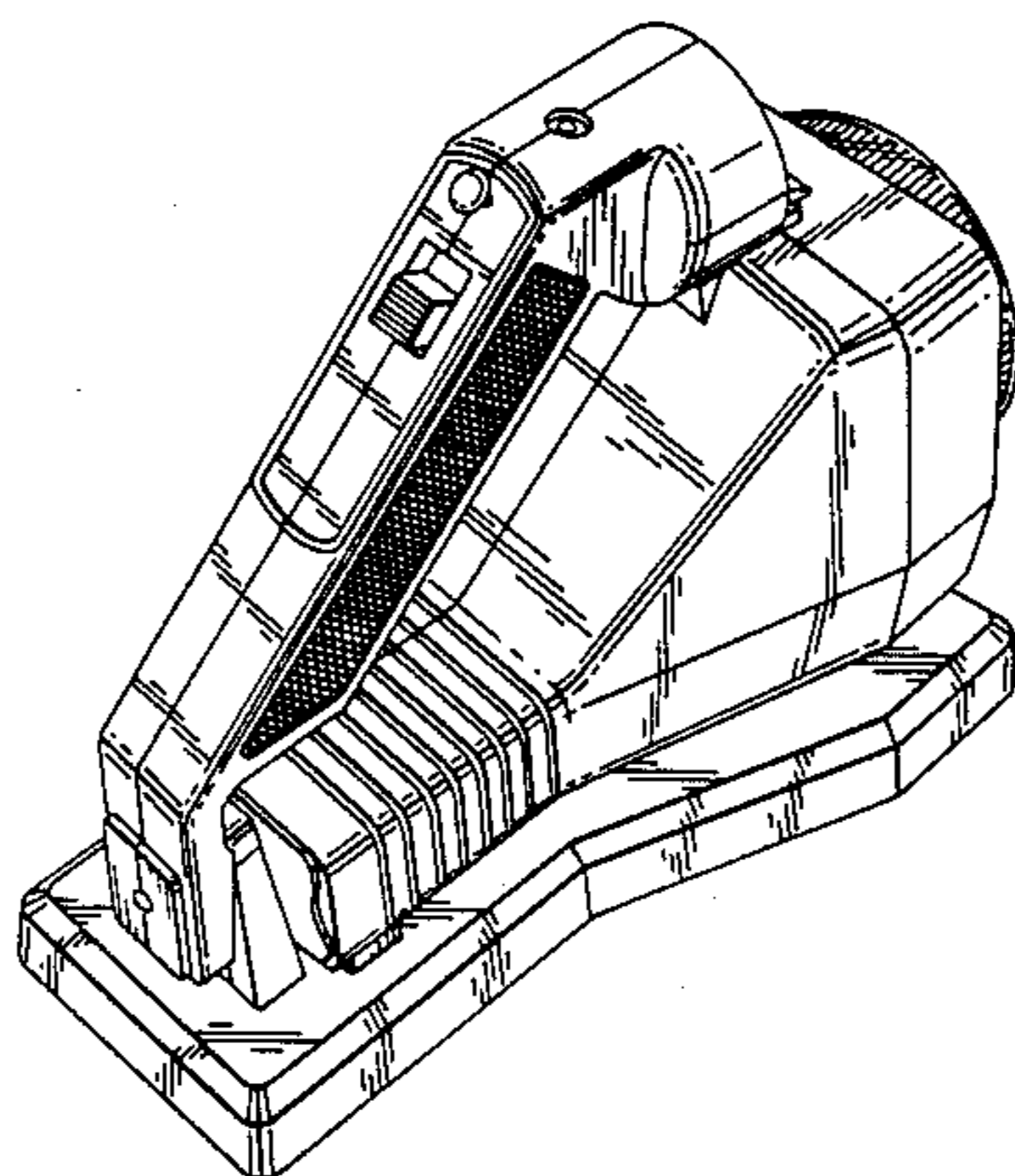
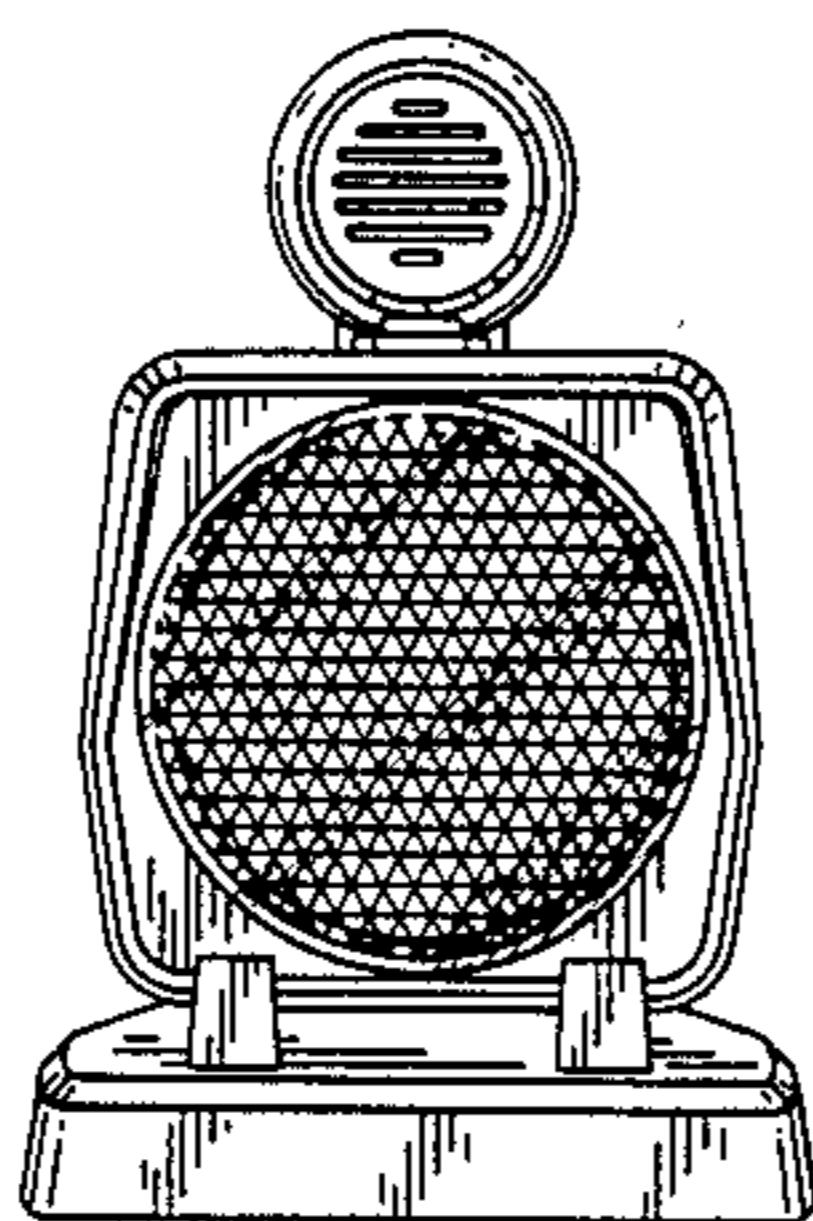
[58] Field of Search D26/37-50;
D10/114; 362/157, 158, 183-208; 340/81, 84,
134, 114 B, 321

FIG. 1 is a front perspective view of a combined torch and audible signal with stand showing my new design; FIG. 2 is a rear perspective view thereof; FIG. 3 is a top, front exploded perspective view thereof with the torch and stand separated for purposes of disclosure; FIG. 4 is a bottom exploded perspective view thereof with the torch and stand separated for purposes of disclosure; FIG. 5 is a top, front exploded perspective view thereof with the torch, stand and front transparent cover separated for purposes of disclosure; FIG. 6 is a side elevational view thereof; FIG. 7 is a rear elevational view thereof.

[56] References Cited

U.S. PATENT DOCUMENTS

D. 267,157 12/1982 Kong D26/37
D. 291,838 9/1987 Tung D26/48



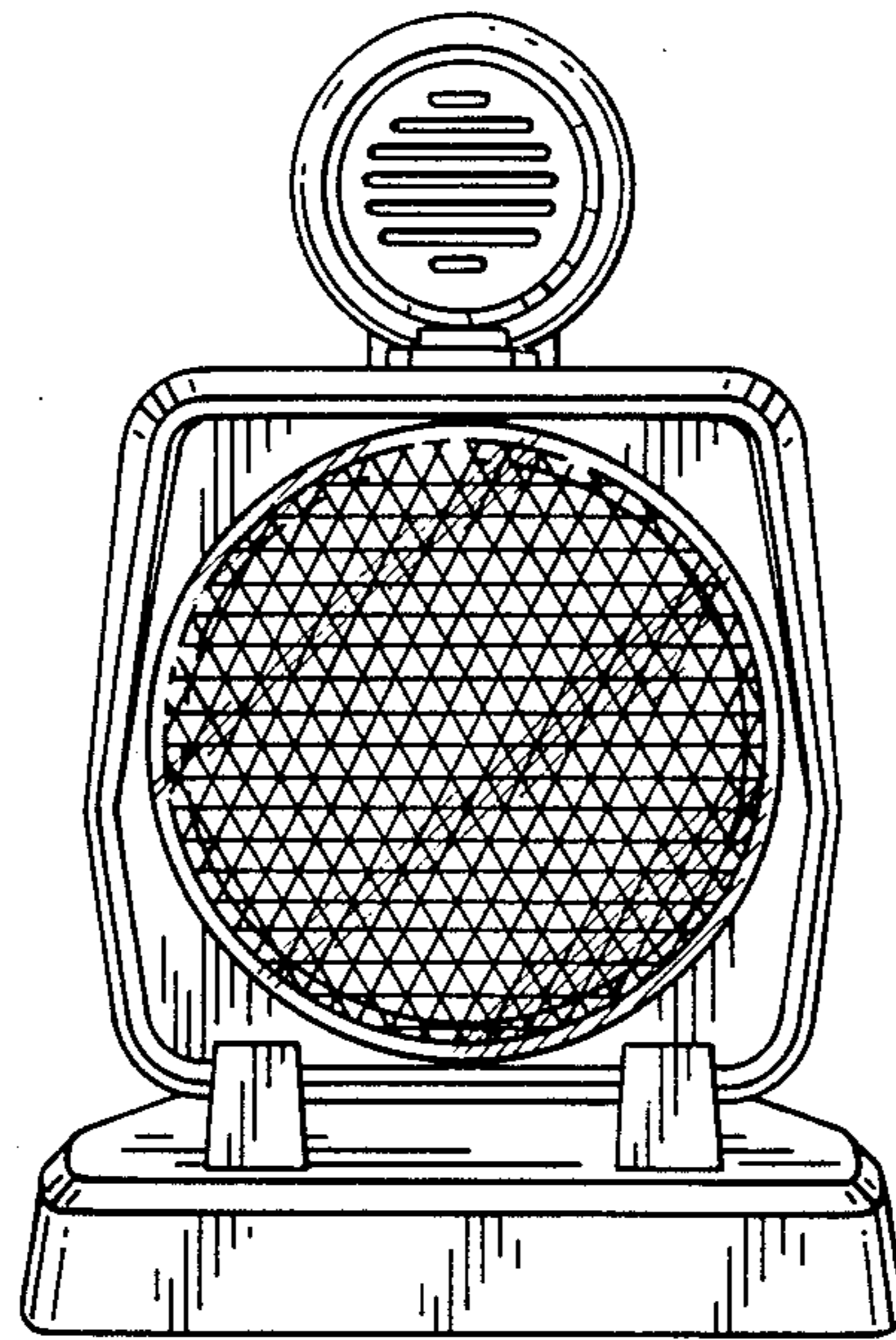


FIG. 1

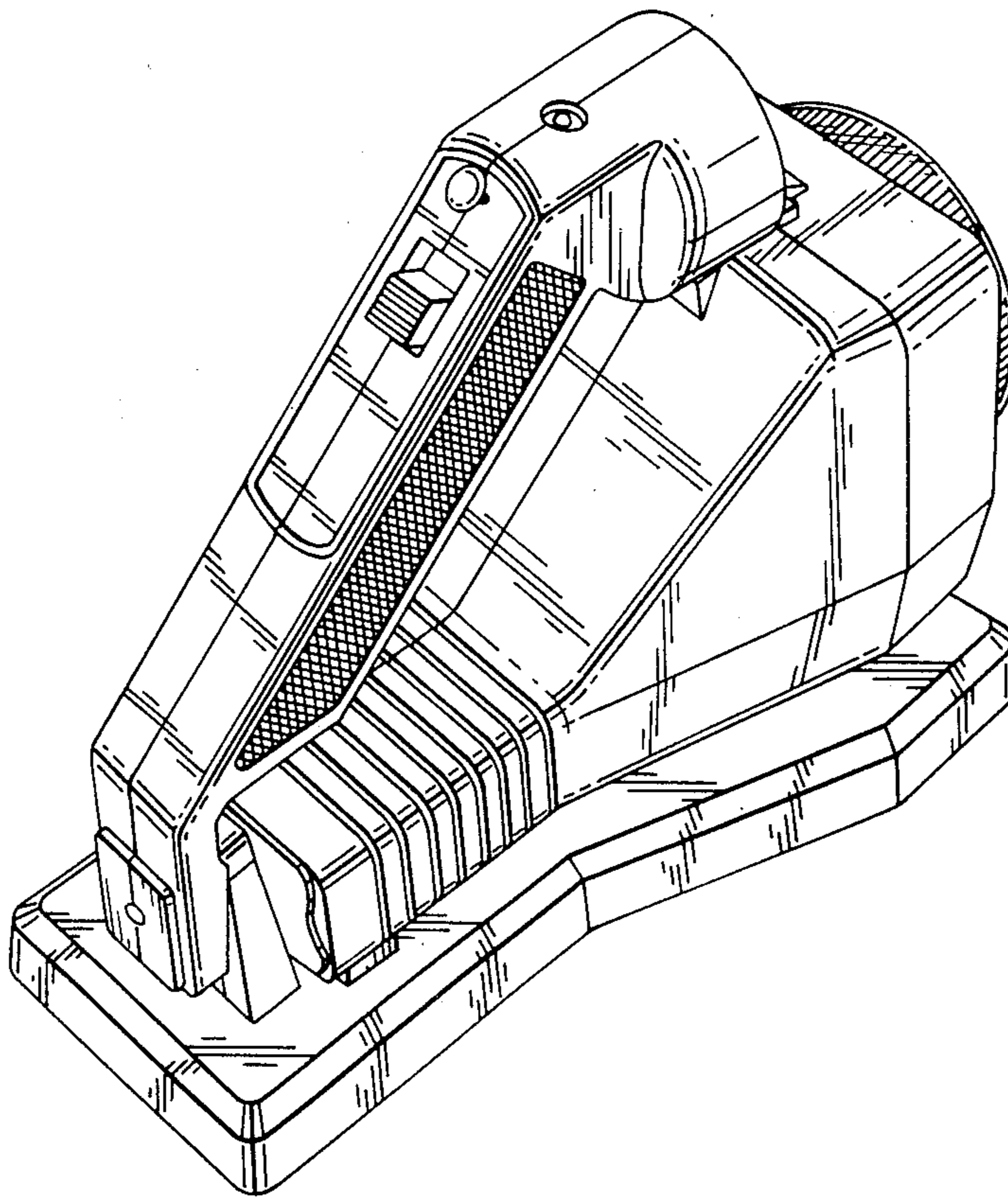
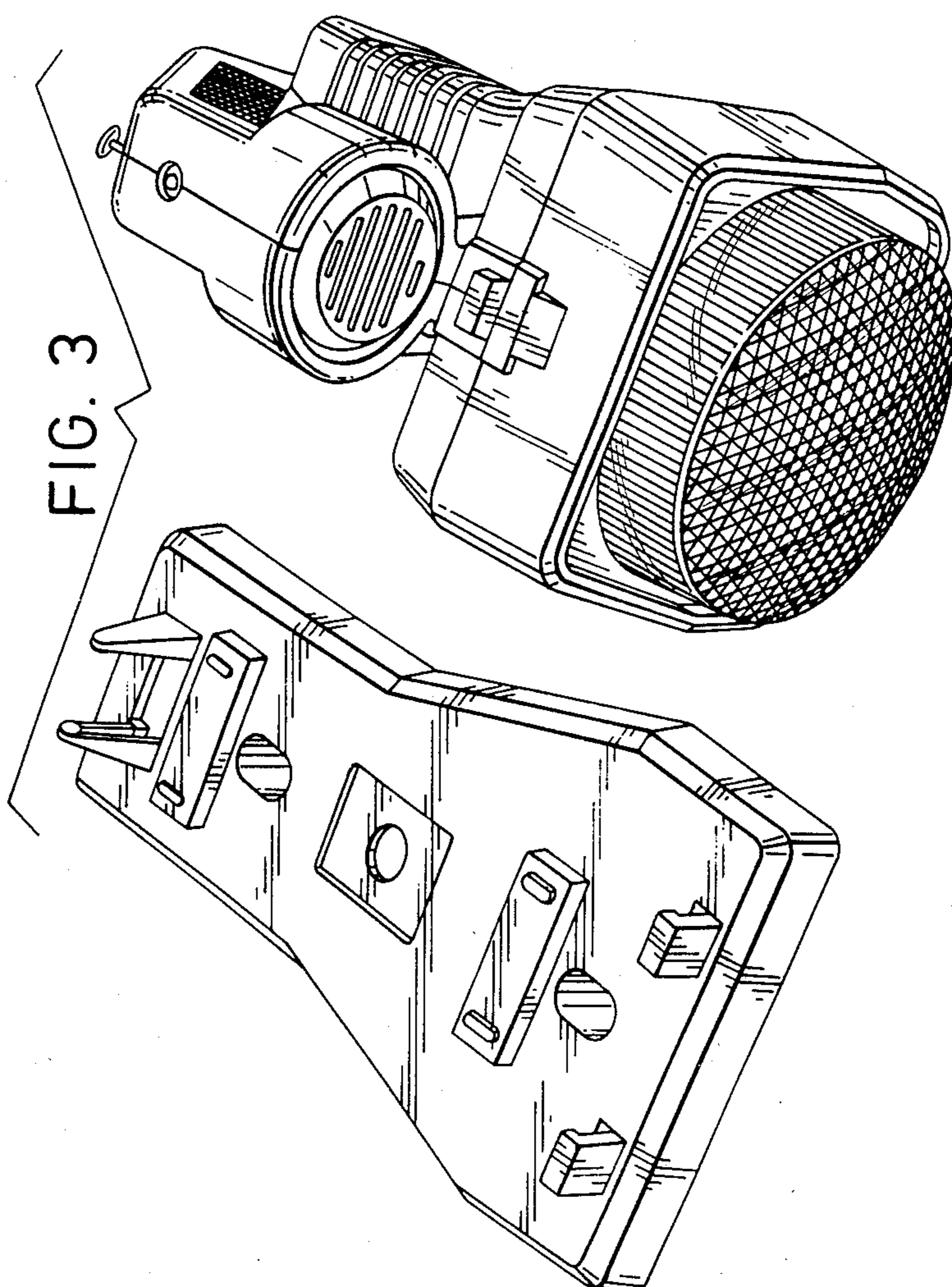
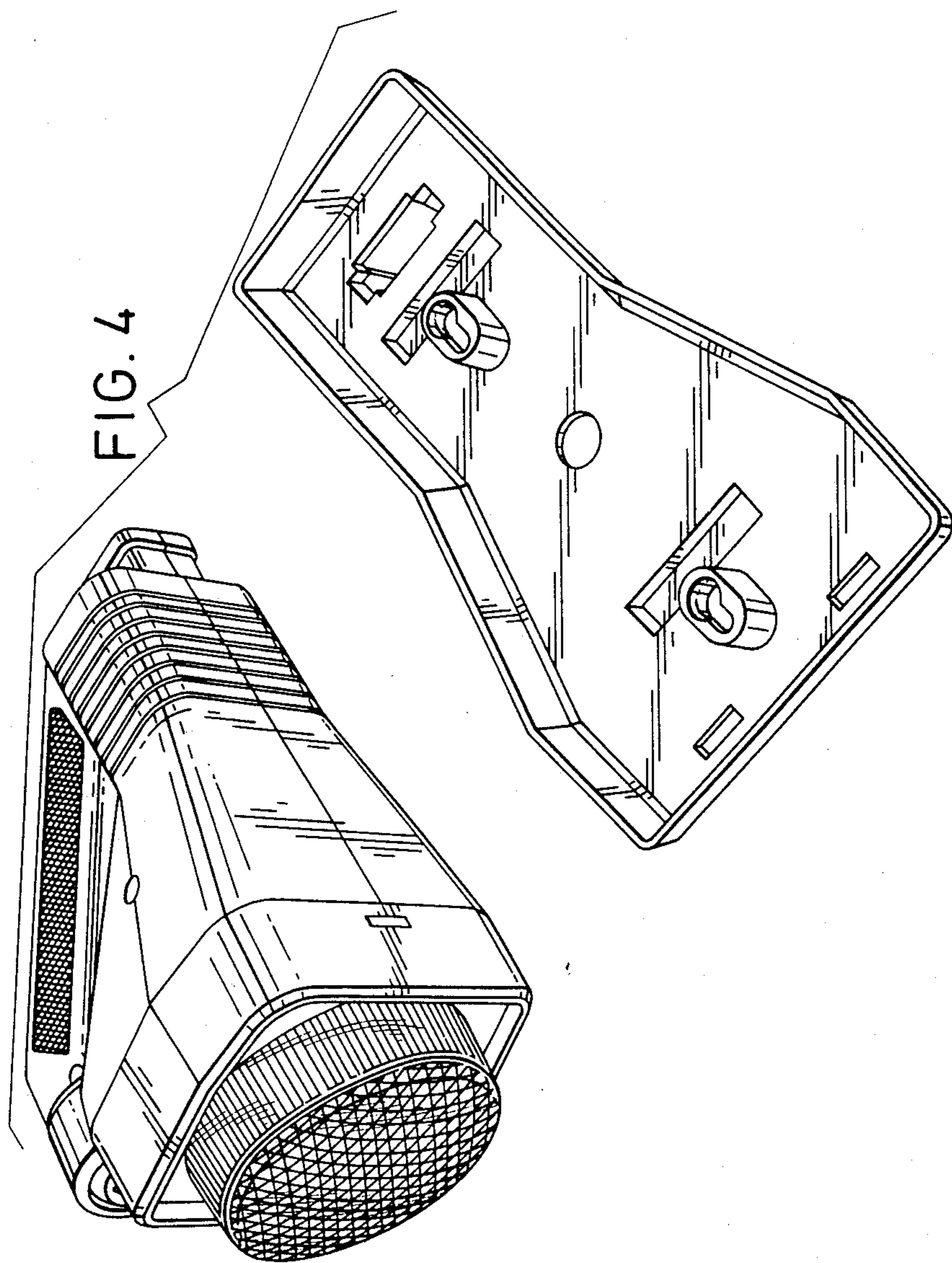


FIG. 2





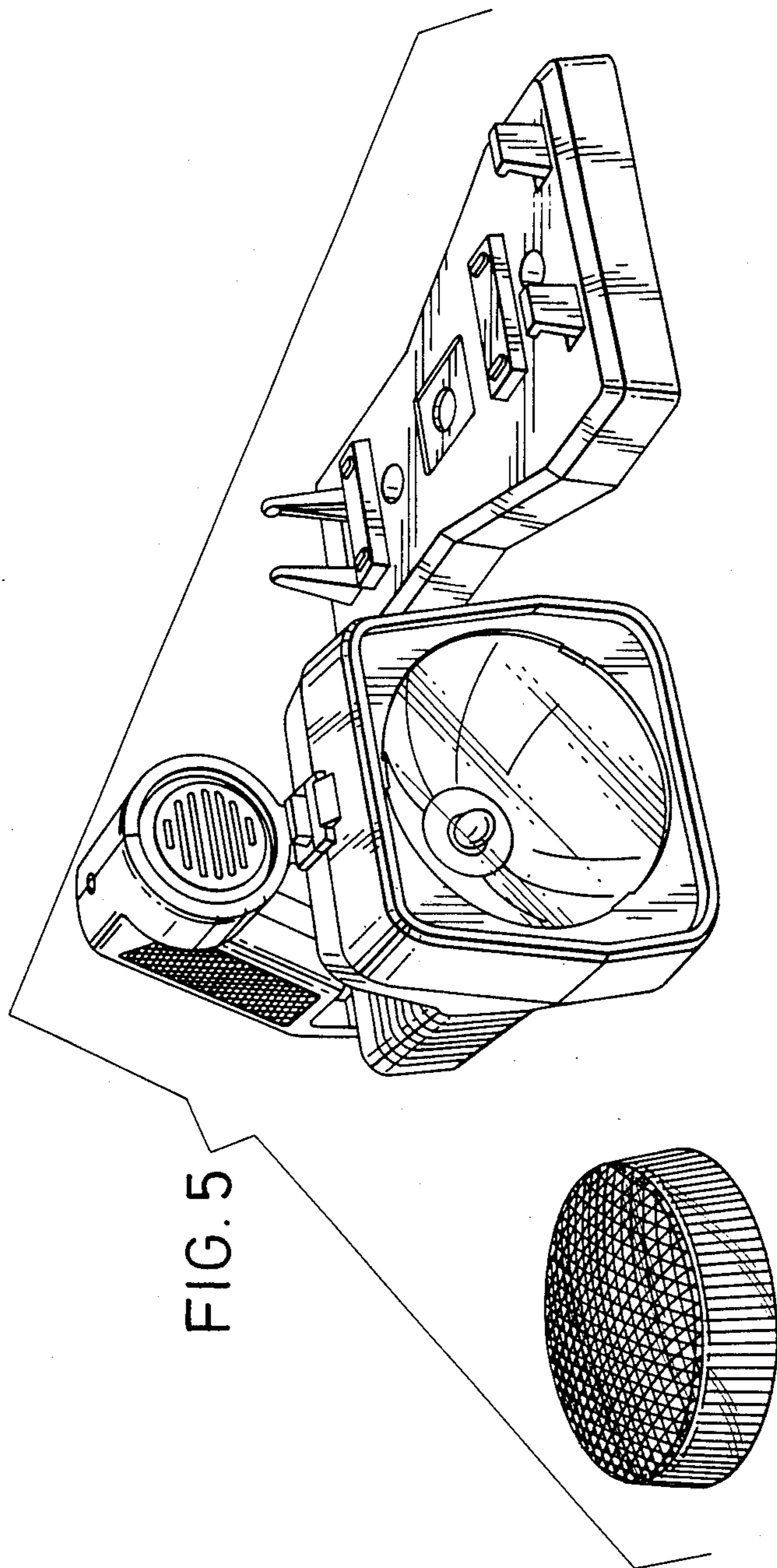


FIG. 6

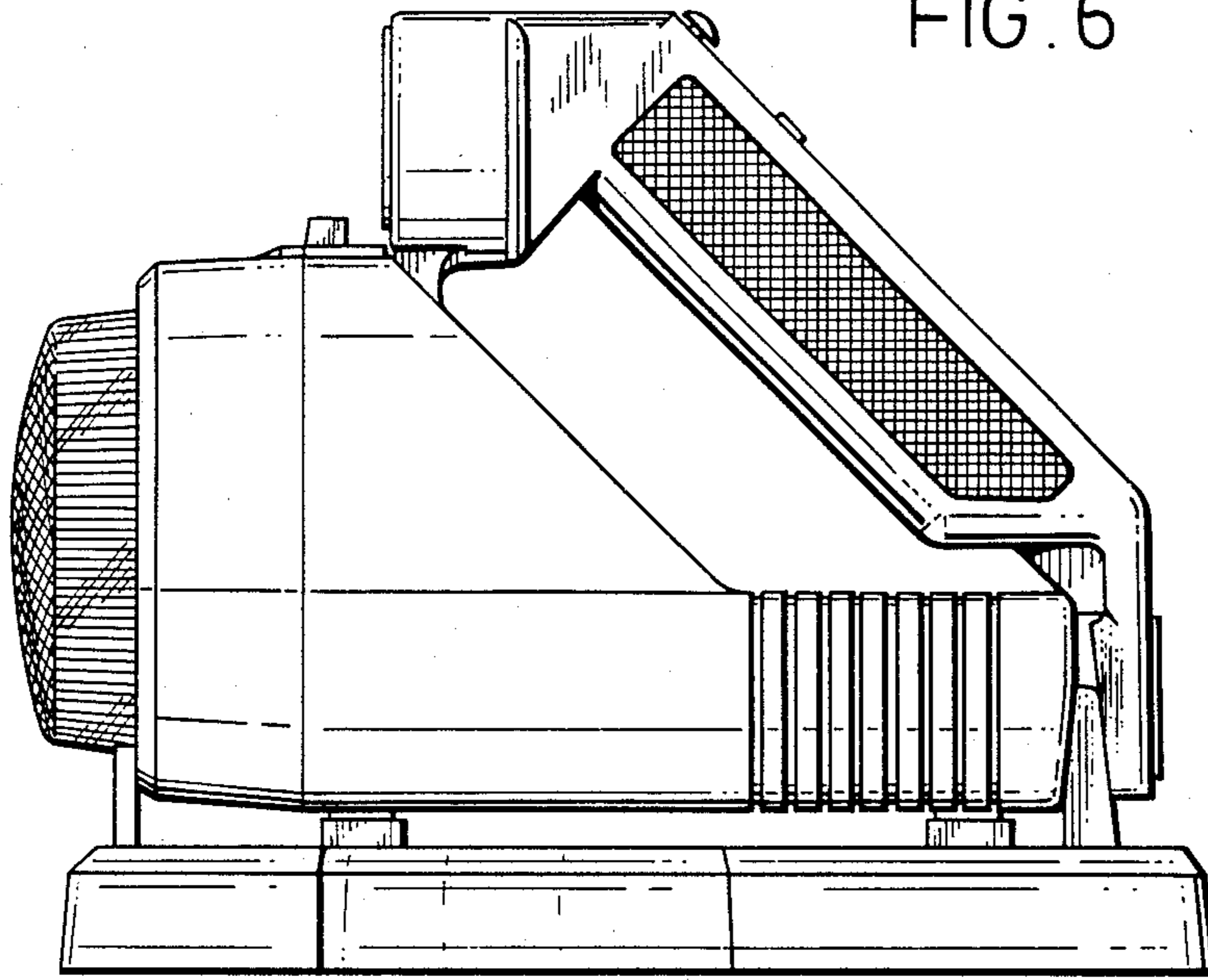


FIG. 7

