

[54] HINGED DENTAL ARTICULATOR WITH A TAB MOUNTING

4,496,320 1/1985 Hwang et al. .... 433/60  
4,533,323 8/1985 Huffman ..... 433/60

[75] Inventor: Ronald E. Huffman, Tucson, Ariz.

Primary Examiner—Wallace R. Burke

[73] Assignee: KV33 Corporation, Tucson, Ariz.

Assistant Examiner—Brian N. Vinson

[\*] Notice: The portion of the term of this patent subsequent to Oct. 28, 2000 has been disclaimed.

Attorney, Agent, or Firm—Victor Flores; Harry M. Weiss

[\*\*] Term: 14 Years

[57] CLAIM

The ornamental design for a hinged dental articulator with a tab mounting, as shown and described.

[21] Appl. No.: 7,819

DESCRIPTION

[22] Filed: Jan. 28, 1987

[52] U.S. Cl. .... D24/10

[58] Field of Search ..... D24/10, 16; 433/53-54, 433/57-58, 60-67

FIG. 1 is a front elevational view of a hinged dental articulator with a tab mounting showing my new design, the rear being a mirror image of that shown;

FIG. 2 is a top plan view thereof;

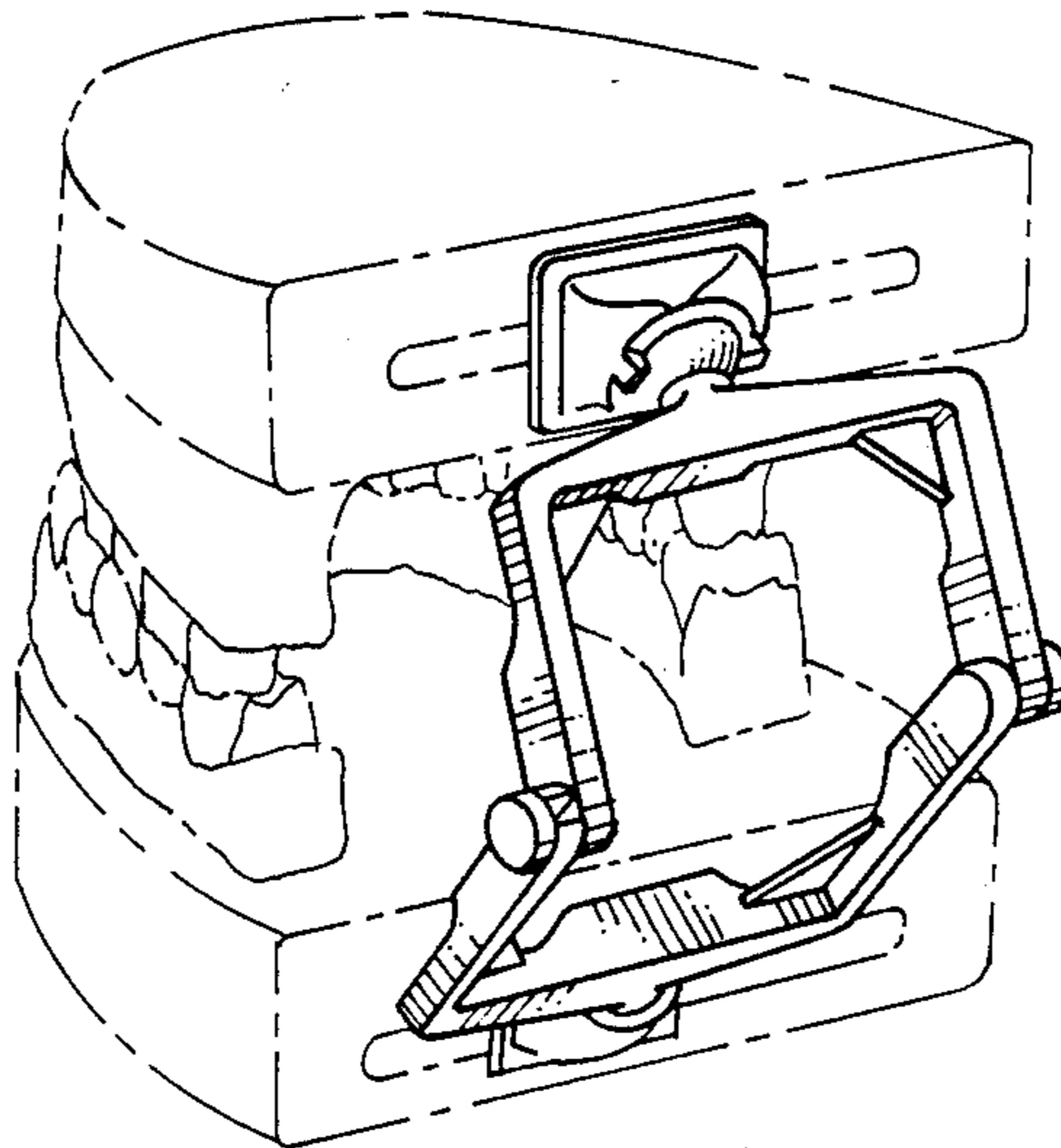
FIG. 3 is a top, rear perspective view thereof, shown in a slightly compressed position, the broken line showing of the dental model being for illustrative purposes only and forming no part of the claimed design; and

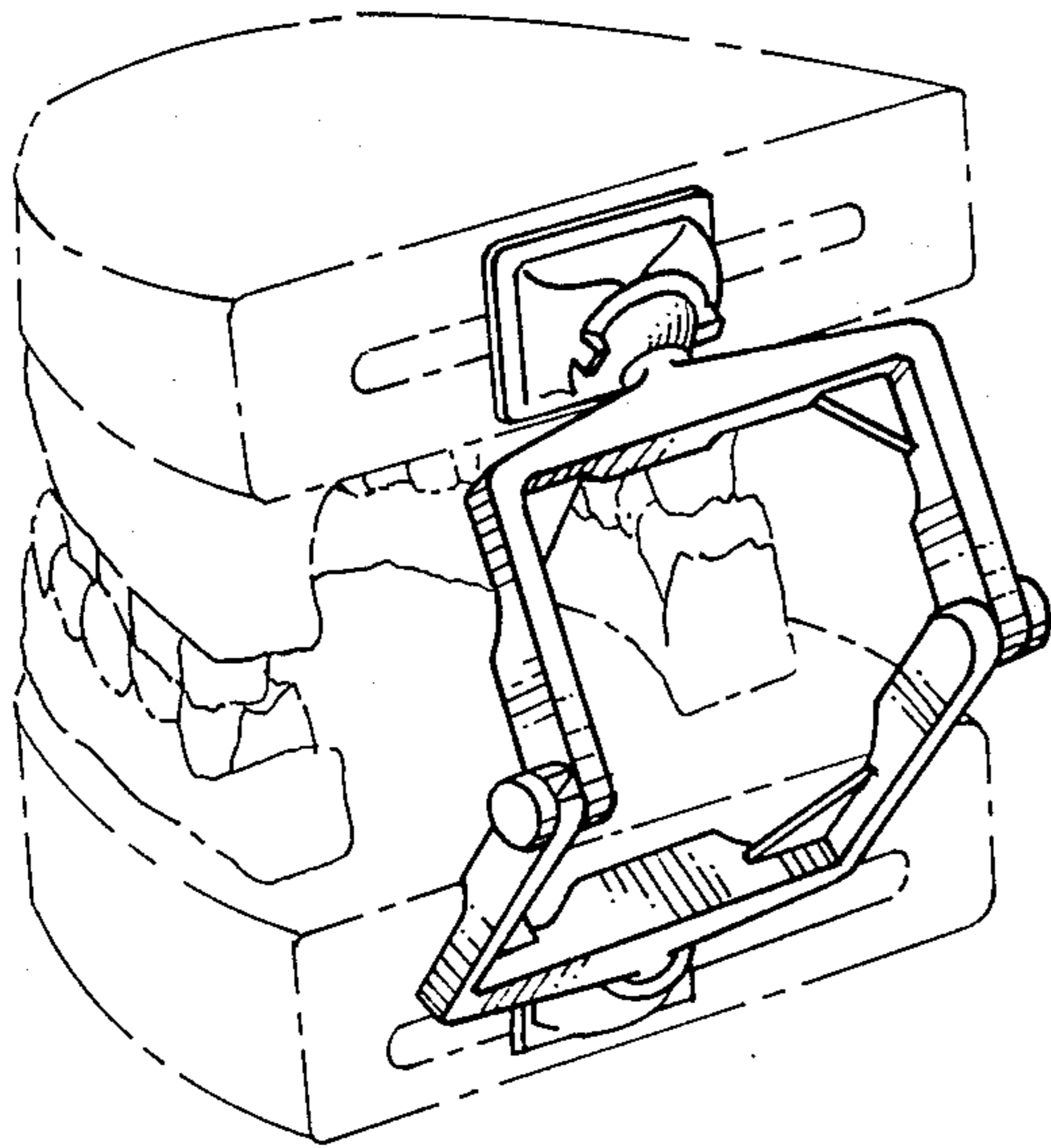
FIG. 4 is a left side elevational view thereof, the right side being a mirror image of that shown.

[56] References Cited

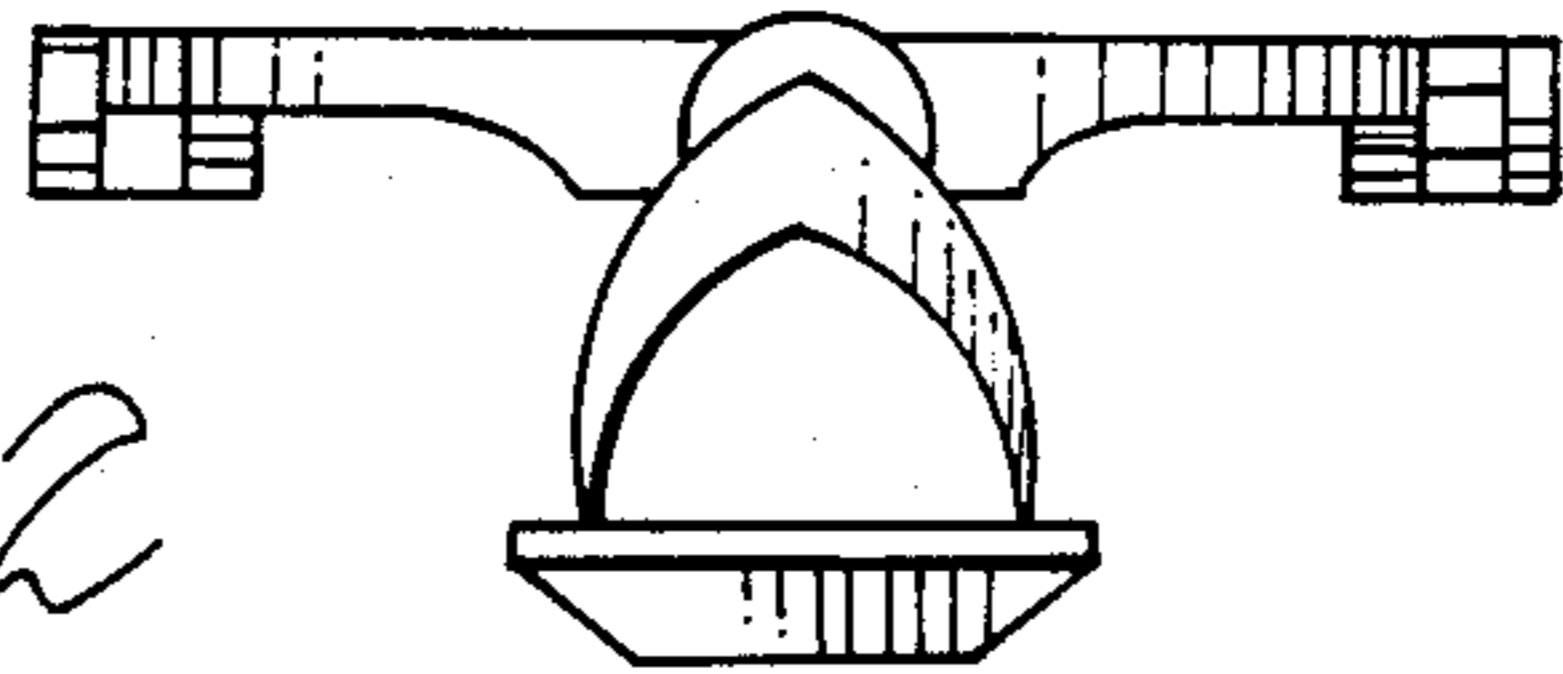
U.S. PATENT DOCUMENTS

- D. 286,436 10/1986 Huffman ..... D24/10
- D. 289,924 5/1987 Huffman ..... D24/10
- 905,479 12/1908 Sykora ..... 433/54

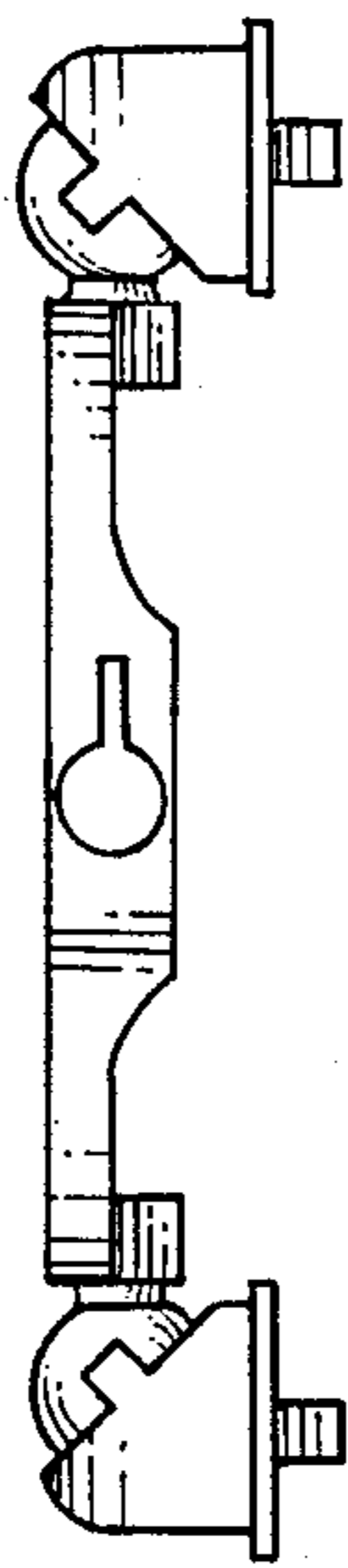




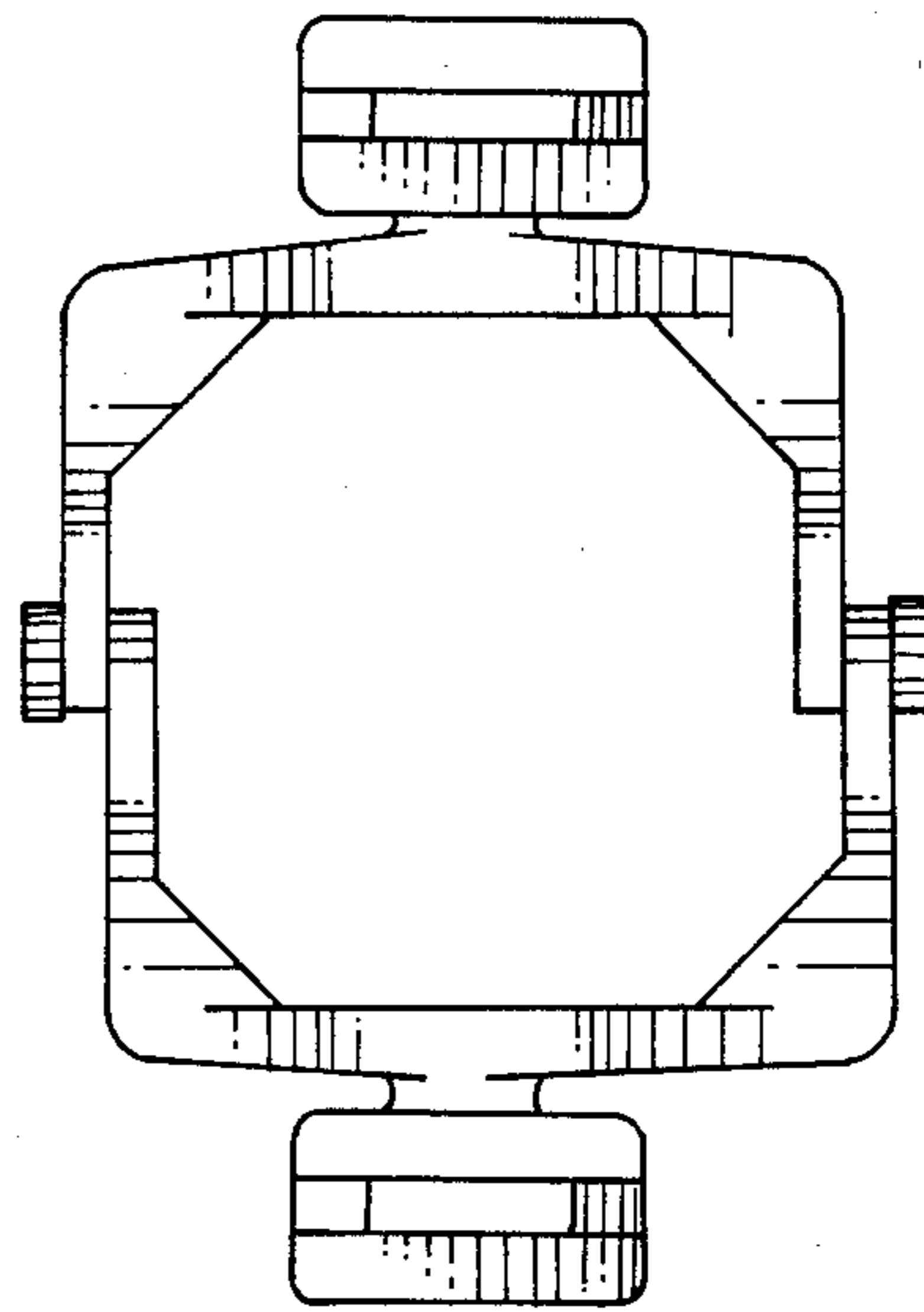
*fig. 3*



*fig. 2*



*fig. 4*



*fig. 1*