

[54] WOOD BURNING STOVE

[75] Inventors: Melvin Wade, Bridgeport, Ala.; Carl E. Higgins, Chattanooga, Tenn.

[73] Assignee: United States Stove Company, Chattanooga, Tenn.

[**] Term: 14 Years

[21] Appl. No.: 145,185

[22] Filed: Jan. 19, 1988

[52] U.S. Cl. D23/343

[58] Field of Search D23/343; 126/66, 67, 126/77, 76

[56] References Cited

U.S. PATENT DOCUMENTS

D. 252,525	7/1979	Russo	D23/343
D. 253,780	12/1979	Schwartz et al.	D23/343
4,316,444	2/1982	Gullickson	126/77
4,385,620	5/1983	Black	126/77
4,473,059	9/1984	Nason	126/67
4,832,000	5/1989	Lamppa et al.	126/77

OTHER PUBLICATIONS

Wood Stove Coalstove, Fireplace & Equipment Directory, 1981, p. 153, Nightingale Coal Miser, top of page. Old Timer Wood Furnaces advertisement, p. 1, Old Timer 3000 Furnace, bottom left side of page. Granny's Wood/Coal Furnaces ad, p. 1, Granny's Energy Saver, left side of page. Craftstove brochure, p. 4, Craft FA-1000.

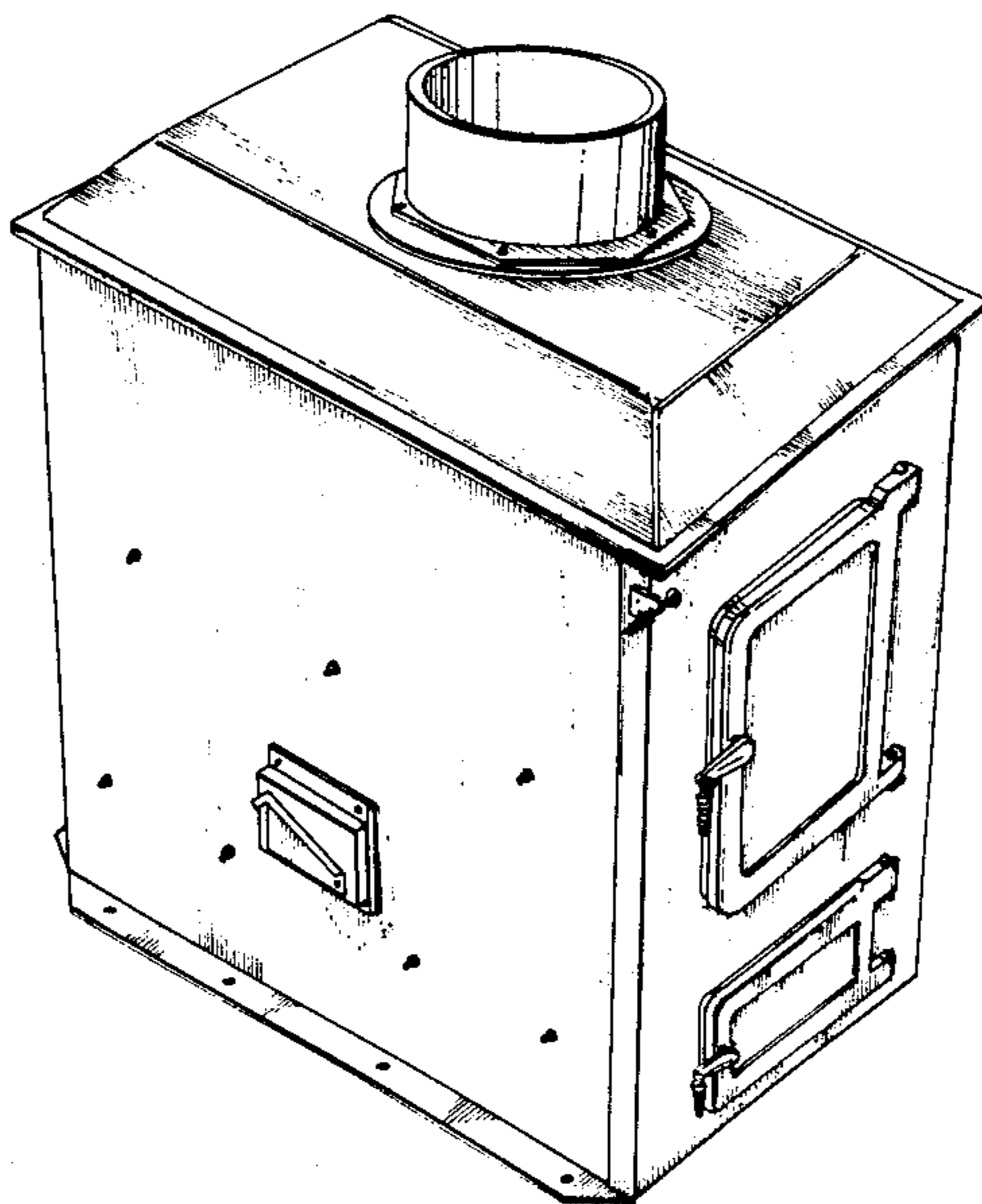
Primary Examiner—James M. Gandy
Assistant Examiner—Lisa Lichtenstein
Attorney, Agent, or Firm—Alan Ruderman

[57] CLAIM

The ornamental design for a wood burning stove, as shown.

DESCRIPTION

FIG. 1 is a front perspective view of a wood burning stove embodying our new design;
FIG. 2 is a front elevational view thereof;
FIG. 3 is a rear elevational view thereof;
FIG. 4 is a right side elevational view thereof;
FIG. 5 is a left side elevational view thereof;
FIG. 6 is a top plan view thereof.



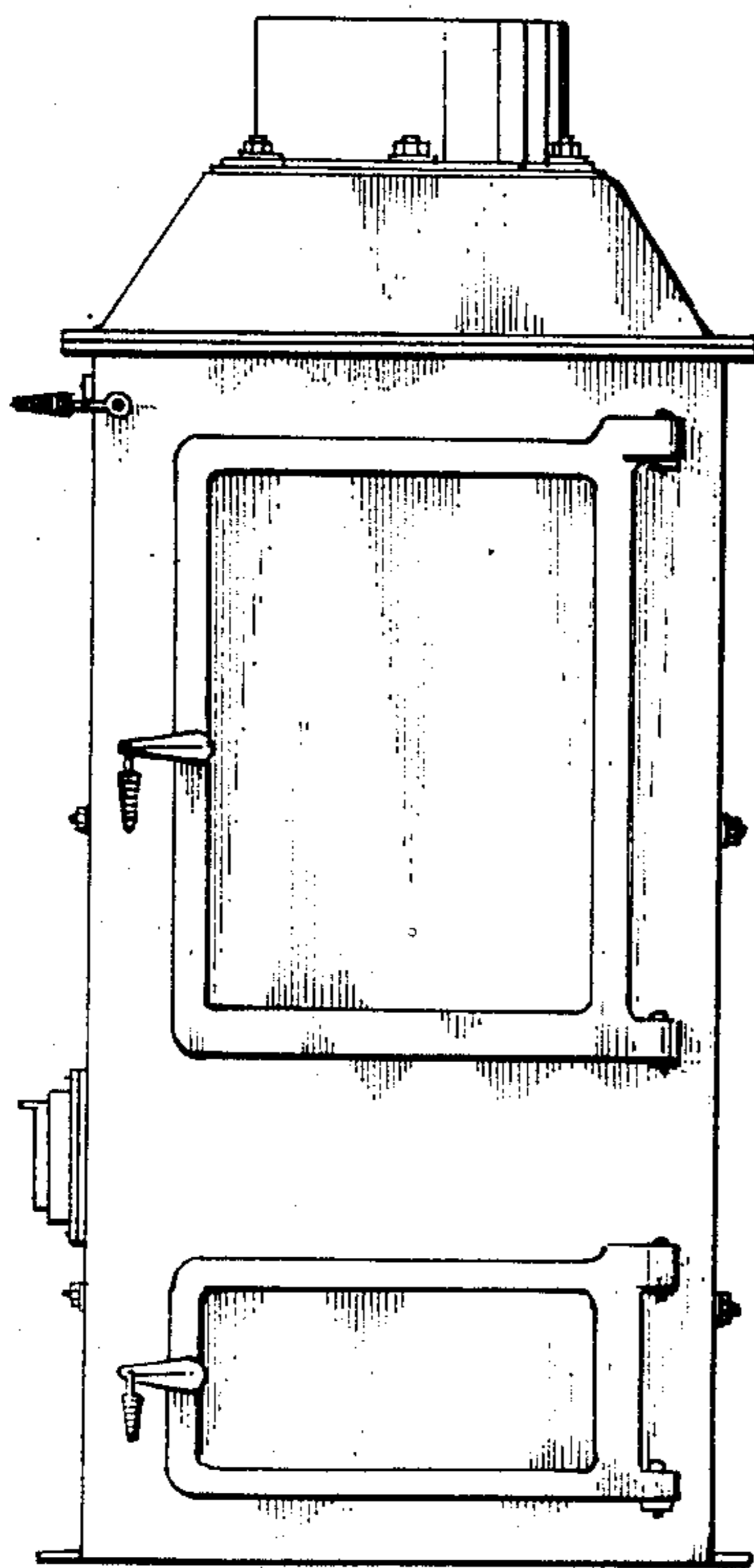
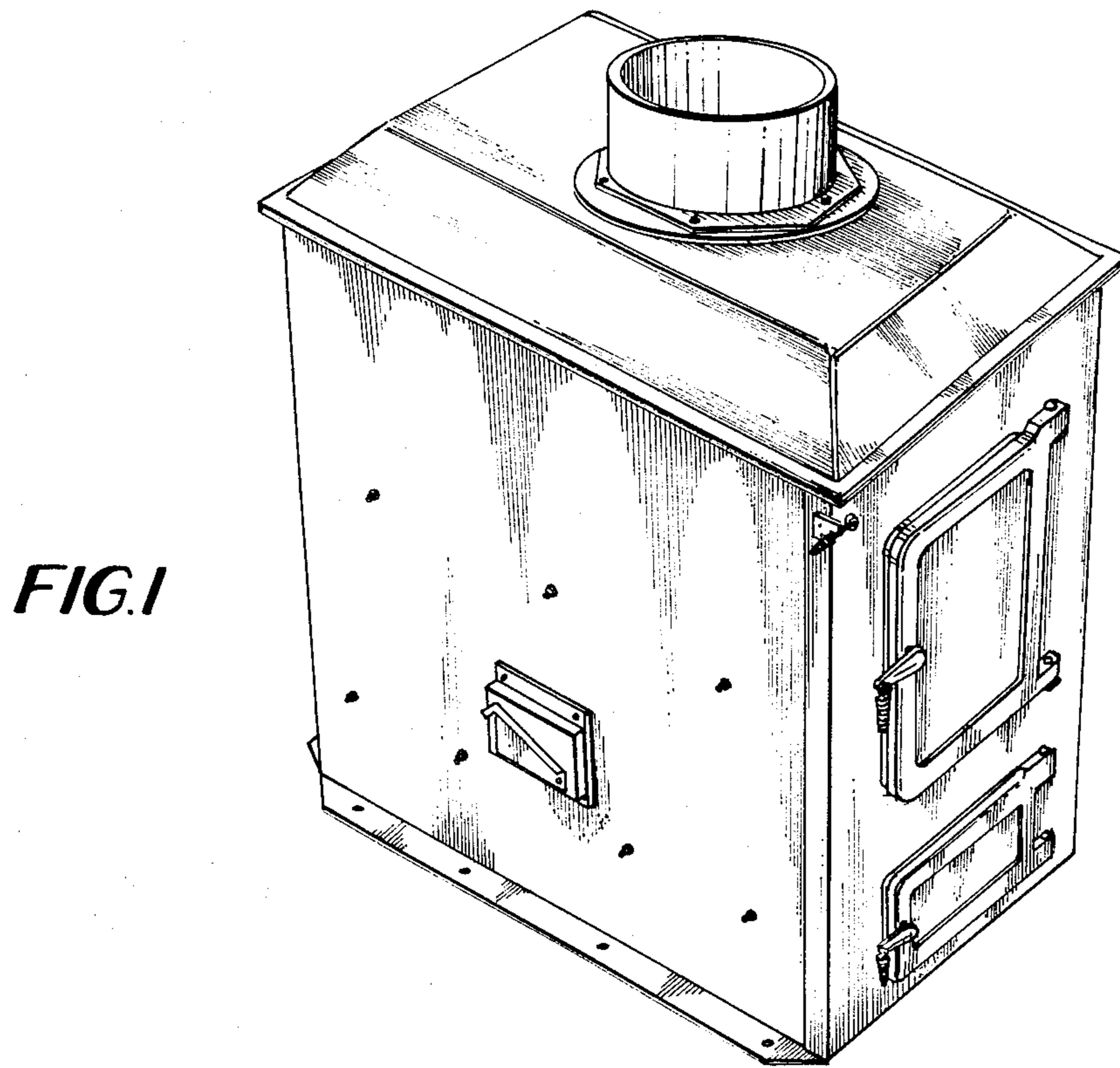


FIG. 2

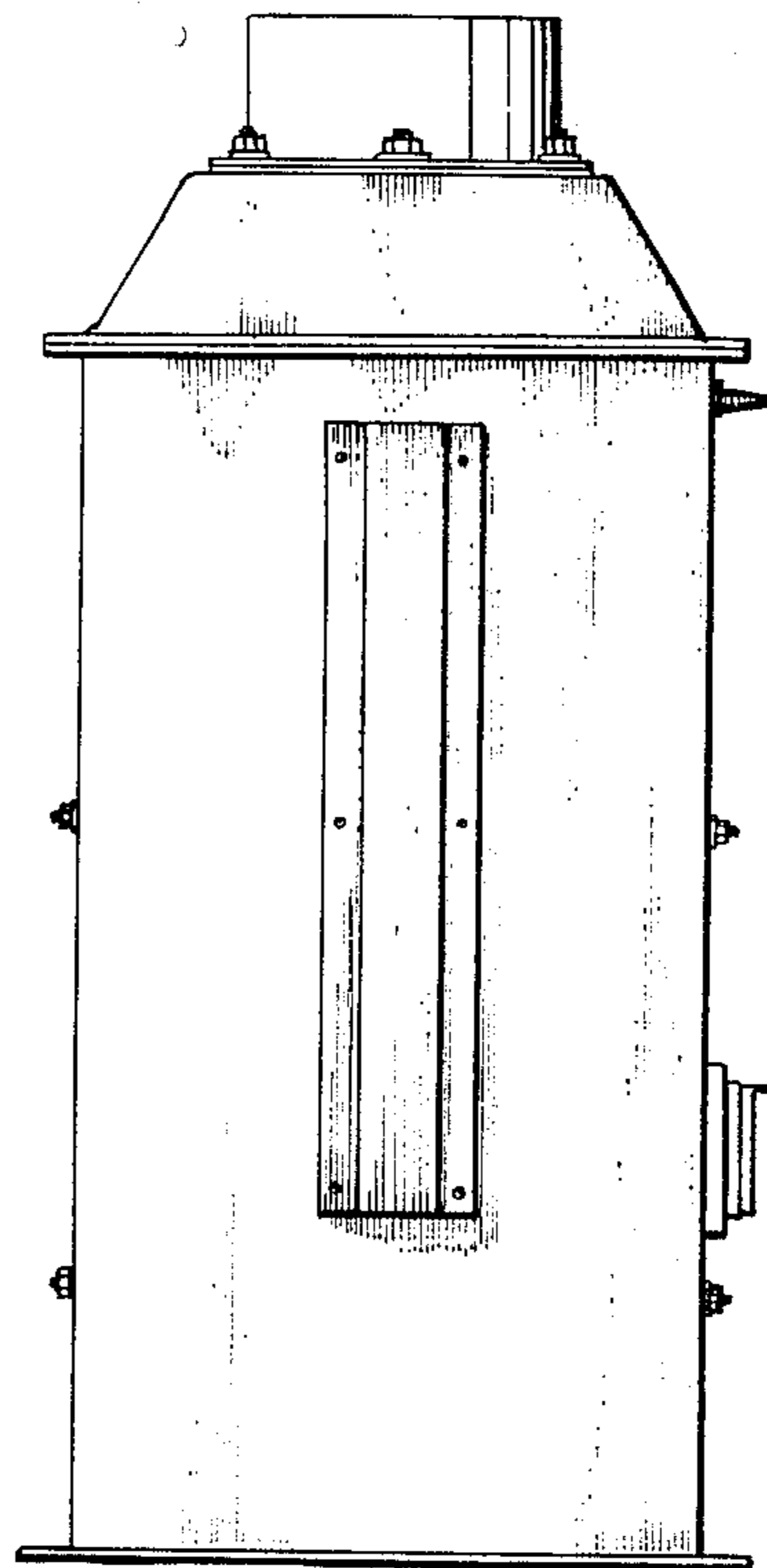


FIG. 3

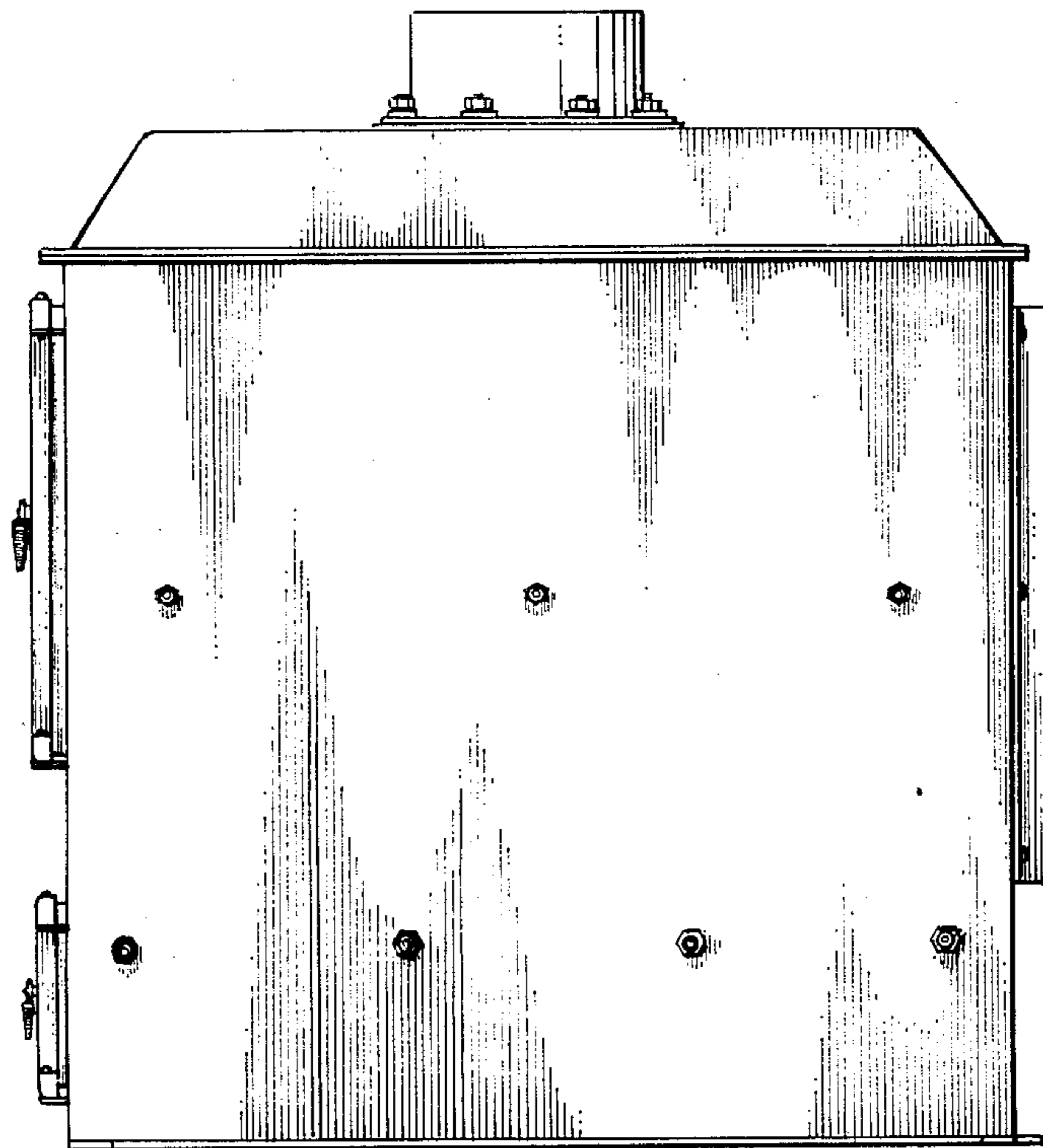


FIG. 4

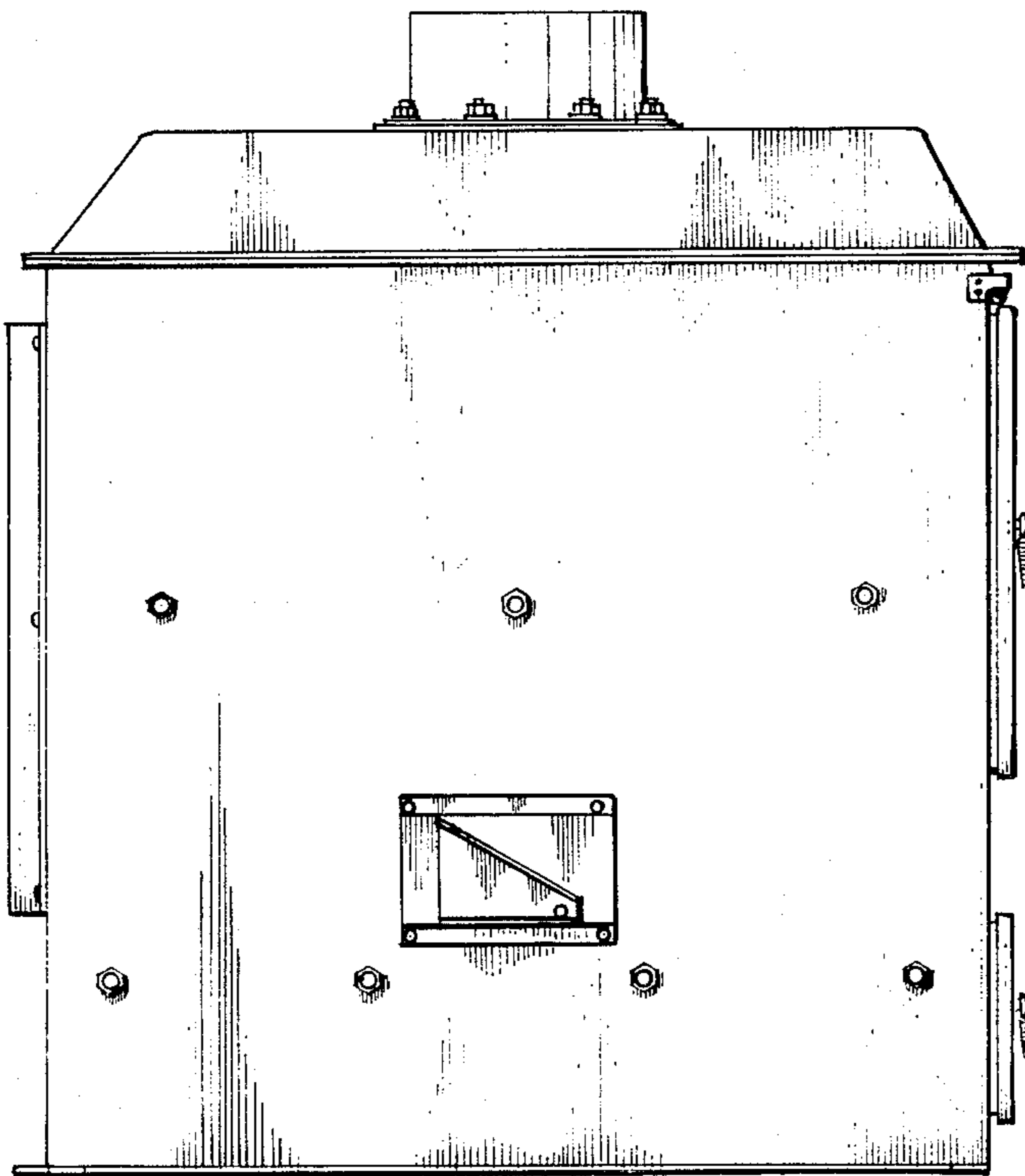


FIG. 5

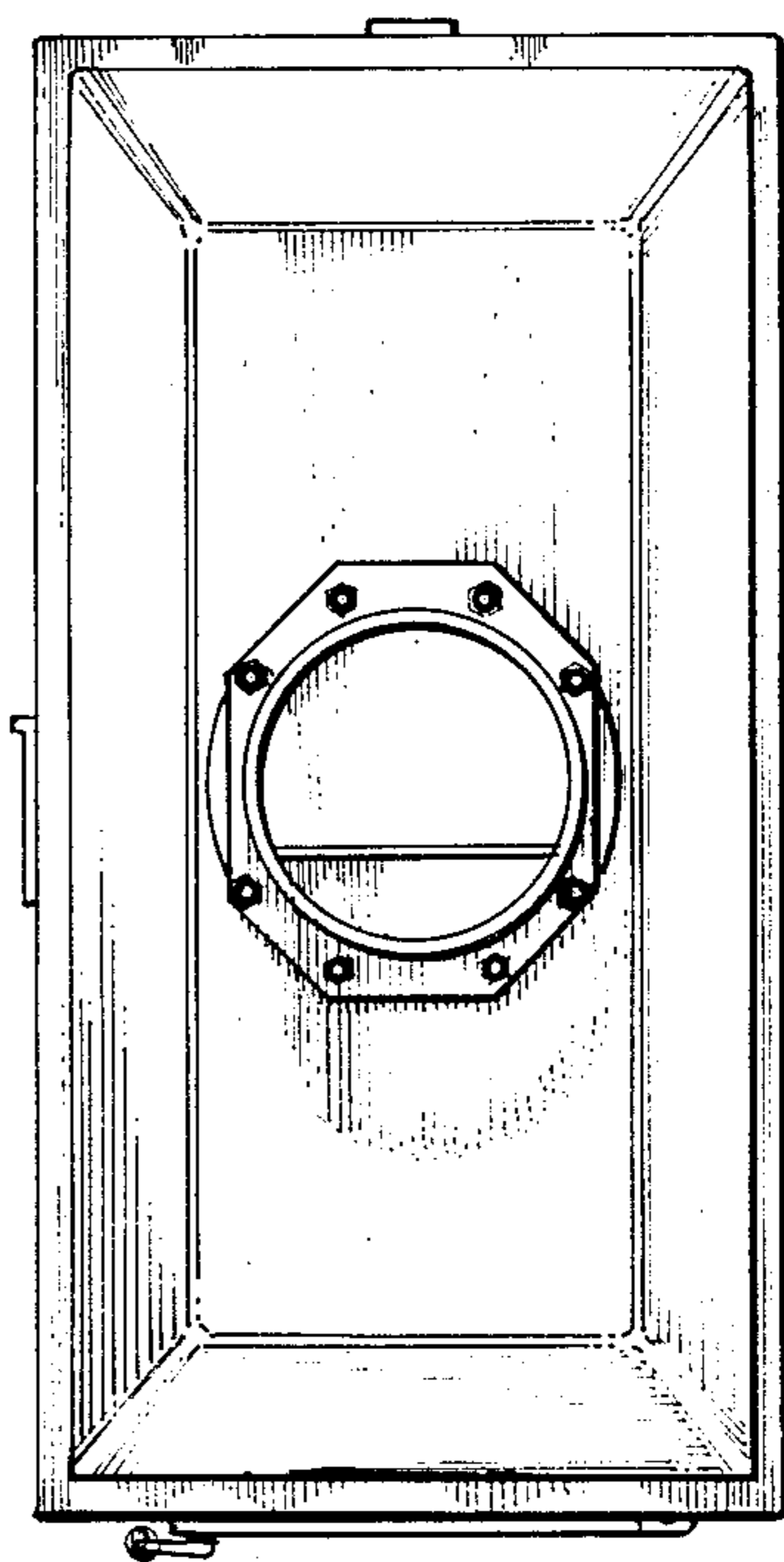


FIG. 6