

- [54] WATER METER REPLACEMENT PLUG
- [75] Inventor: John Bednar, 824 W. Center St., Girard, Ill. 62640
- [73] Assignee: John J. Bednar, Girard, Ill.
- [**] Term: 14 Years
- [21] Appl. No.: 862,411
- [22] Filed: May 9, 1986
- [52] U.S. Cl. D23/260; 285/30
- [58] Field of Search 285/30, 901, 32, 18; 138/89, 91, 96 T, 92; 4/295; 137/377, 315; D23/259-269

[56] References Cited

U.S. PATENT DOCUMENTS

125,764	4/1872	Spiegle	138/91
844,354	2/1907	Hawkinson	285/32
2,067,028	10/1935	Talaga	285/30
2,962,688	11/1960	Werner	285/901
3,946,754	3/1976	Cook	137/315
4,503,880	3/1985	Hochman	137/377

OTHER PUBLICATIONS

Setting and Testing Equipment for Water Meters, cat. #46 by the Ford Meter Box Co., Inc.; p. 47-Meter Idlers.

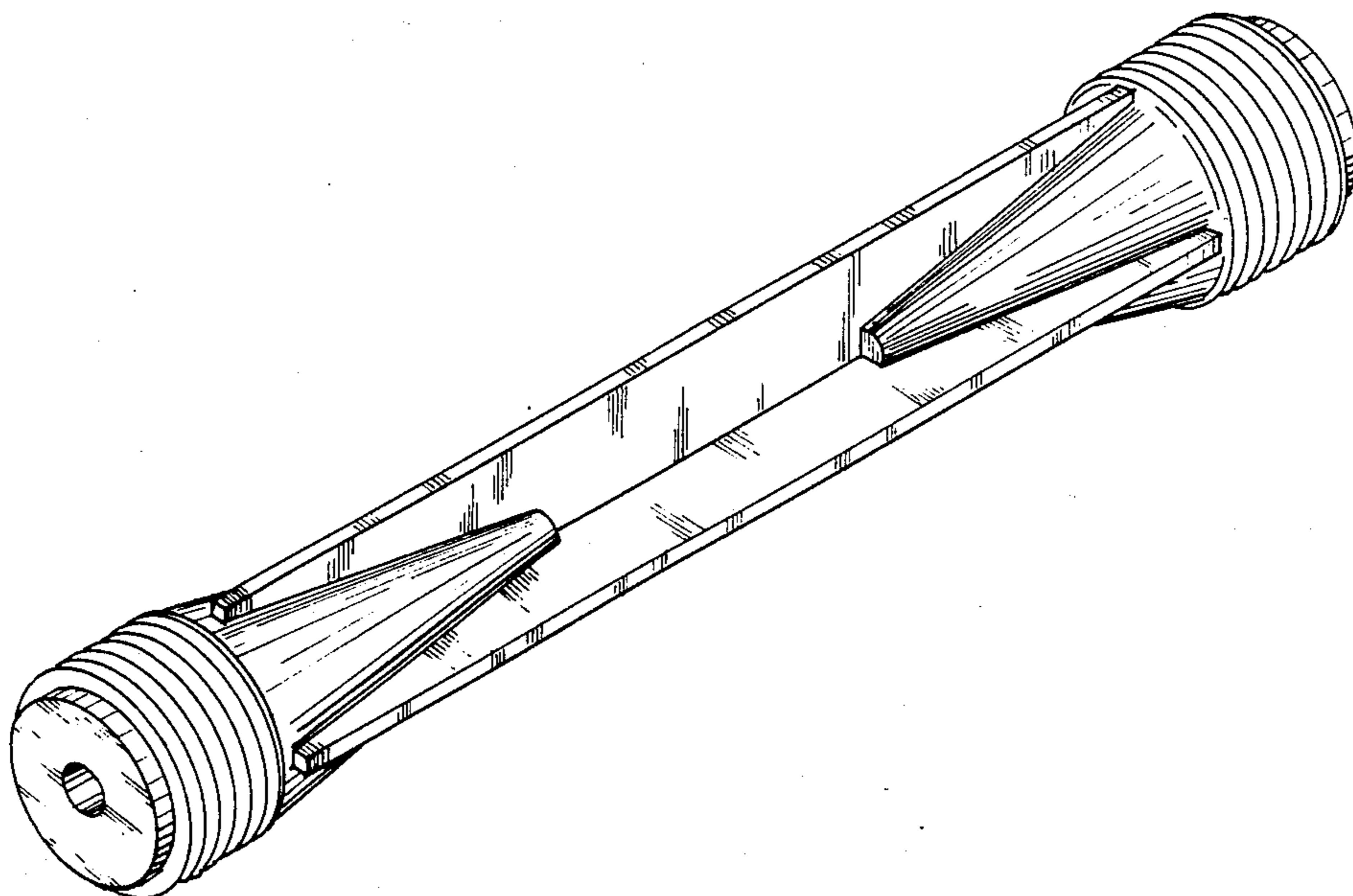
Primary Examiner—James R. Largen
Assistant Examiner—Cathy Anne MacCormac

[57] CLAIM

The ornamental design for a water meter replacement plug, as shown and described.

DESCRIPTION

FIG. 1 is a perspective view of a water meter replacement plug showing my new design; FIG. 2 is an end elevational view thereof, the opposite end being the same as the end shown; FIG. 3 is a side elevational view thereof, the other sides being the same as the one shown; and FIG. 4 is a fragmentary cross-sectional view thereof taken on line 4—4 of FIG. 2.



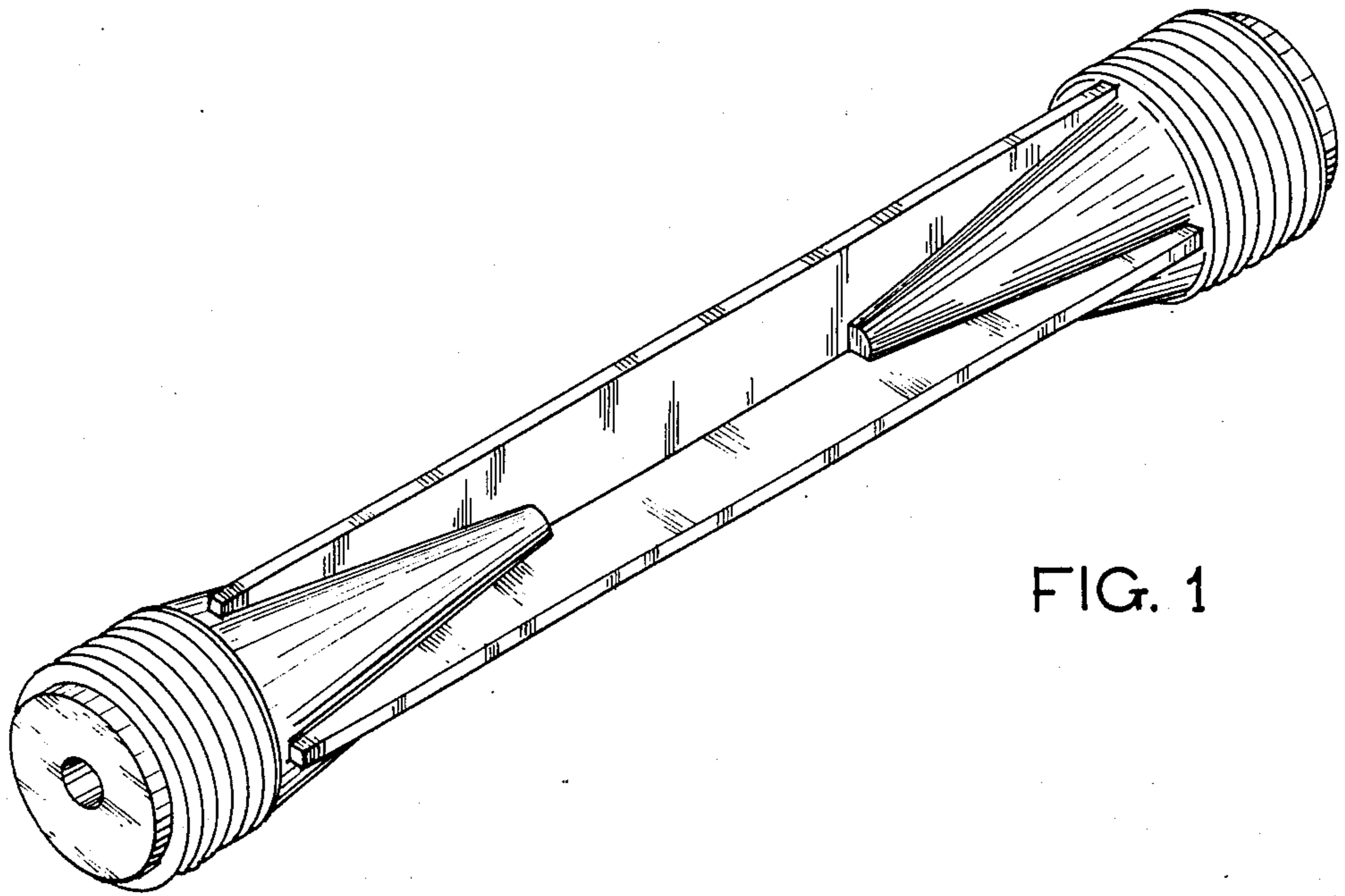


FIG. 1

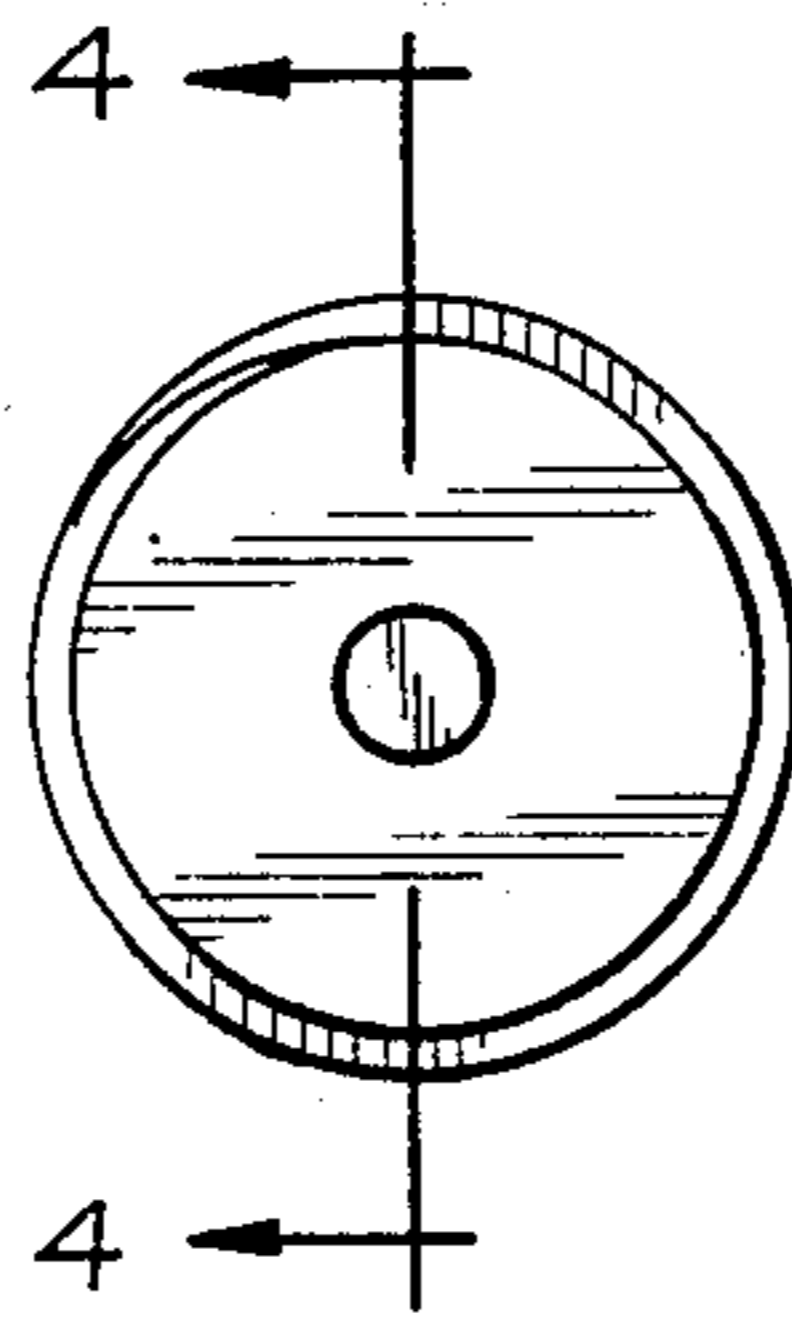


FIG. 2

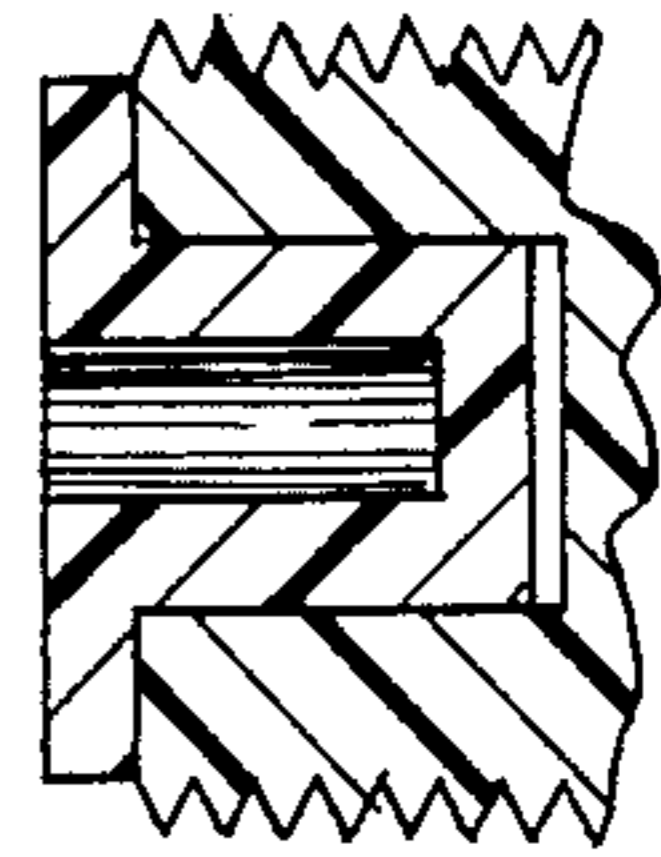


FIG. 4

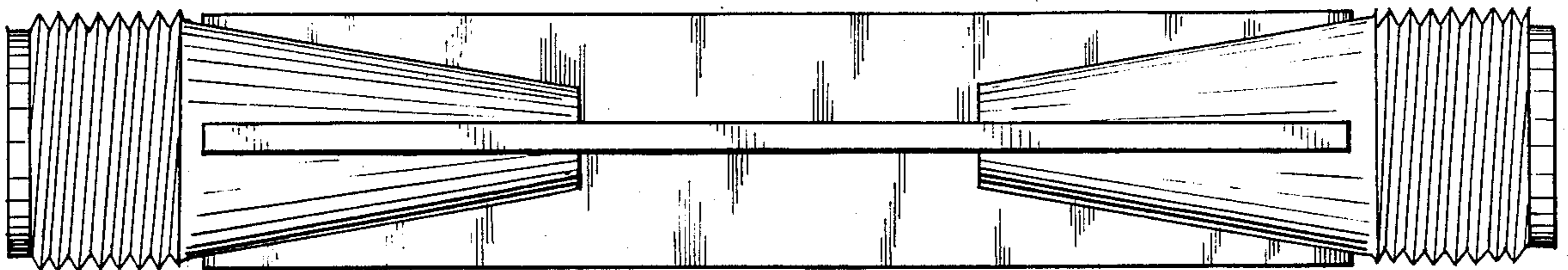


FIG. 3