

United States Patent [19]

Matherne

[11] Patent Number: Des. 306,198

[45] Date of Patent: ** Feb. 20, 1990

[54] CEILING FAN FILTER

4,753,573 6/1988 McKnight 55/467

[76] Inventor: Elmer L. Matherne, 129 Matherne St., Bourg, La. 70343

Primary Examiner—James M. Gandy
Assistant Examiner—Lisa Lichtenstein
Attorney, Agent, or Firm—George A. Bode

[**] Term: 14 Years

[21] Appl. No.: 206,690

[22] Filed: Jun. 14, 1988

[52] U.S. Cl. D23/365

[58] Field of Search D23/365, 377, 379, 385,
D23/386, 411, 413; 55/467, 493, 316, 508,
385.2, 2, 317, 279; 416/146 R

[57] CLAIM

The ornamental design for a ceiling fan filter, as shown and described.

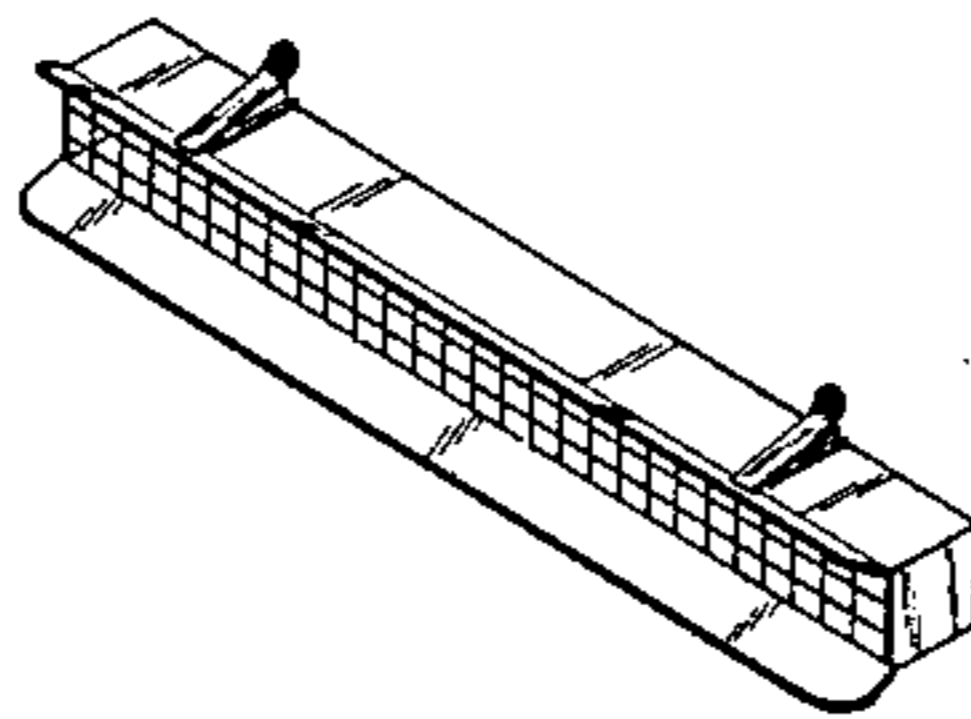
[56] References Cited

U.S. PATENT DOCUMENTS

3,347,025 10/1967 Wiley 55/279
4,596,585 6/1986 Moeller et al. 55/2
4,676,721 6/1987 Hardee 416/146 R

DESCRIPTION

FIG. 1 is a front elevational view of a ceiling fan filter showing my new design;
FIG. 2 is a bottom plan view thereof;
FIG. 3 is a rear elevational view thereof;
FIG. 4 is a top plan view thereof;
FIG. 5 is a side elevational view thereof, the opposite side being a mirror image of that shown; and
FIG. 6 is a bottom front perspective view thereof on a reduced scale.



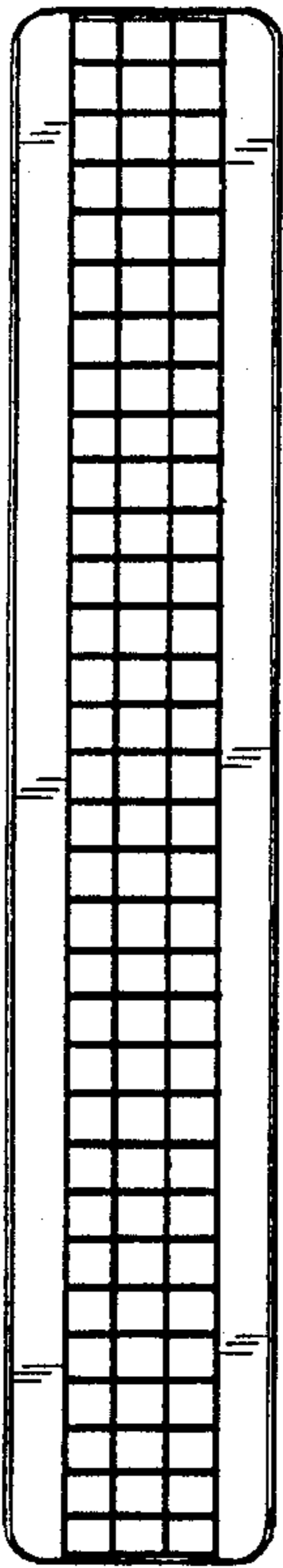


FIG. 1

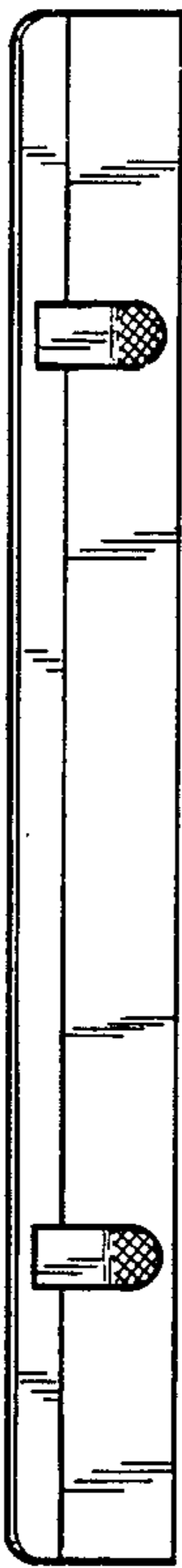


FIG. 2

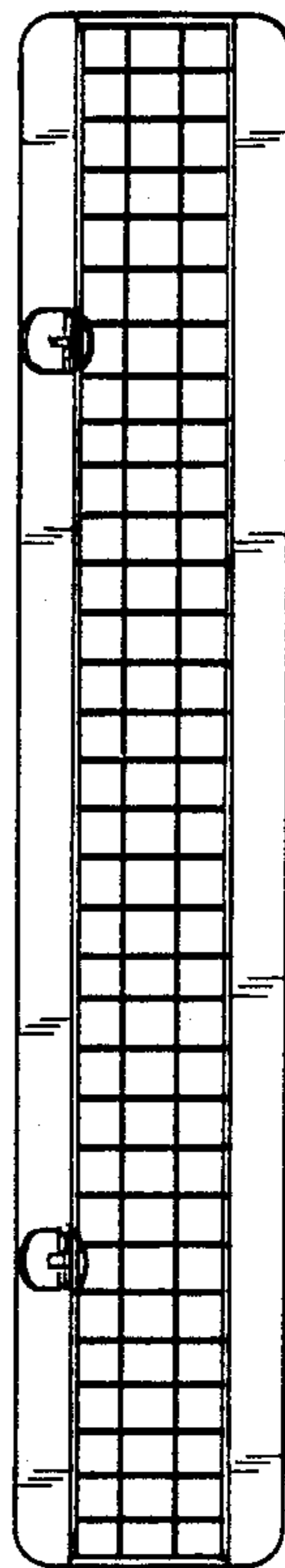


FIG. 3

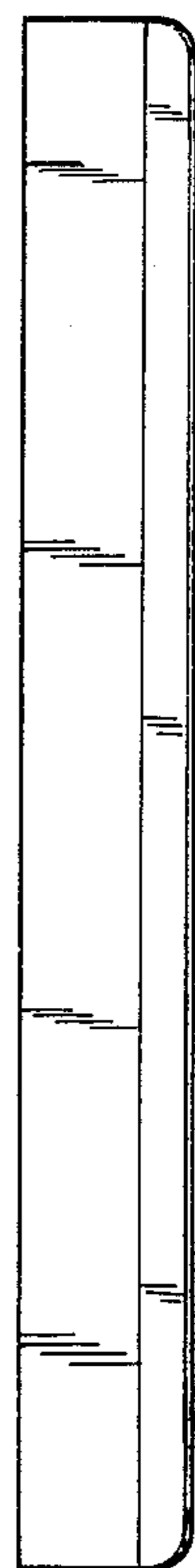


FIG. 4

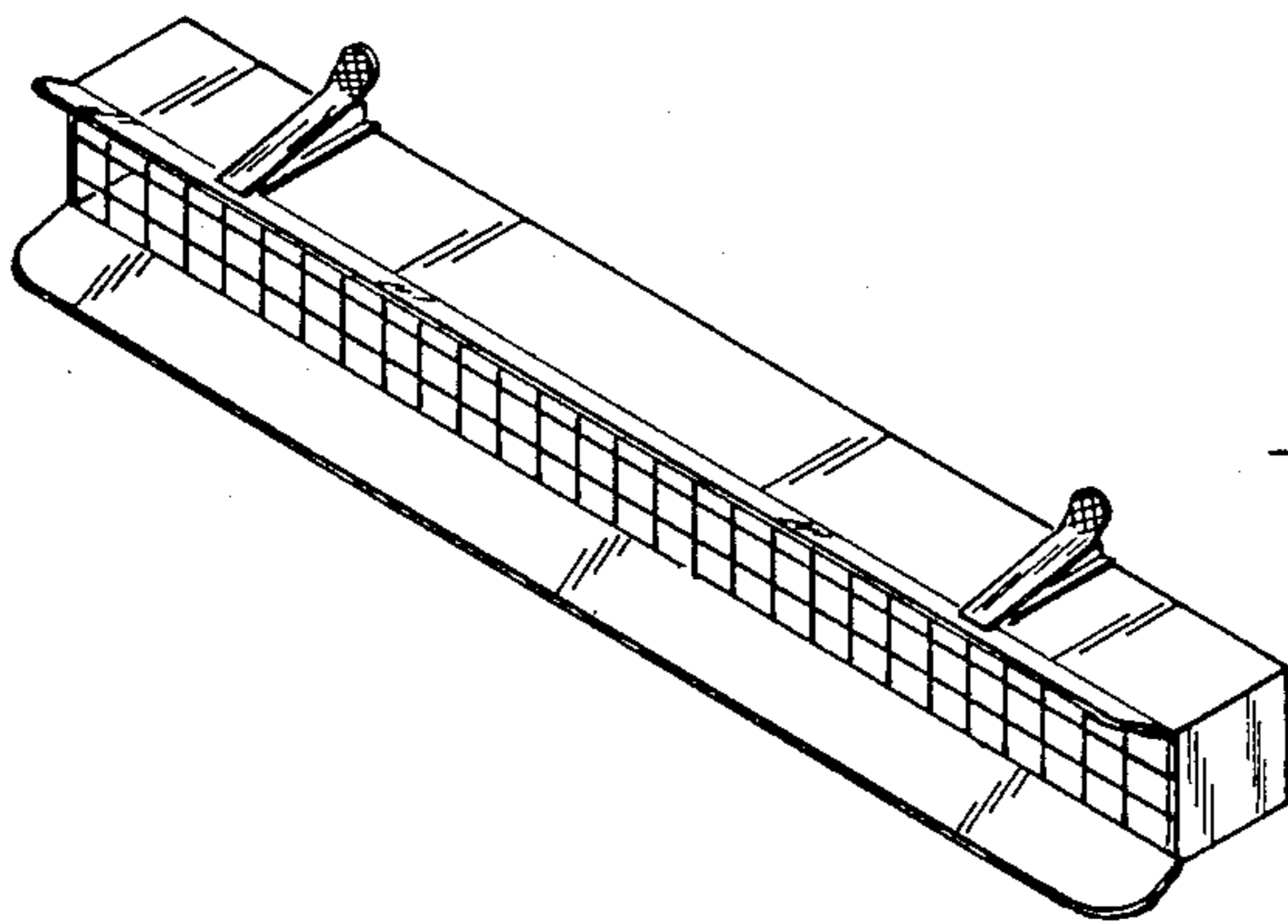


FIG. 6

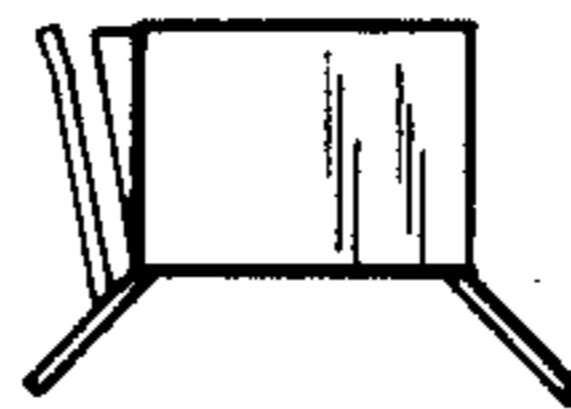


FIG. 5