

United States Patent [19]

Demarest et al.

[11] Patent Number: **Des. 306,197**

[45] Date of Patent: **** Feb. 20, 1990**

[54] **INSECT BAIT STATION**

[75] Inventors: **Scott W. Demarest; John Martin,**
both of Racine County, Wis.

[73] Assignee: **S. C. Johnson & Son, Inc., Racine,**
Wis.

[**] Term: **14 Years**

[21] Appl. No.: **69,561**

[22] Filed: **Jul. 2, 1987**

[52] U.S. Cl. **D22/122**

[58] Field of Search **D22/119, 122; 43/58,**
43/114, 107, 121, 131

[56] **References Cited**

U.S. PATENT DOCUMENTS

- D. 278,842 5/1985 Woodruff D22/119
- 529,109 11/1894 Burgess .
- 1,372,780 3/1925 Schenke .
- 2,315,772 4/1943 Closs .
- 2,328,590 9/1943 Weil .

- 2,328,591 9/1943 Weil .
- 2,340,256 1/1944 Weil .
- 3,802,116 4/1974 Meguro et al. 43/121
- 3,931,692 1/1976 Hermanson .
- 4,031,653 6/1977 Jordan .
- 4,395,842 8/1983 Mangulies .
- 4,563,836 1/1986 Woodruff et al. .

Primary Examiner—A. Hugo Word

[57] **CLAIM**

The ornamental design for an insect bait station, as shown and described.

DESCRIPTION

FIG. 1 is a perspective view of an insect bait station showing our new design;
 FIG. 2 is a top, plan view, with the bottom view being a mirror image thereof;
 FIG. 3 is a side elevational view thereof taken from the bottom of FIG. 2; and,
 FIG. 4 is a sectional view taken from the plane 4—4 of FIG. 2.

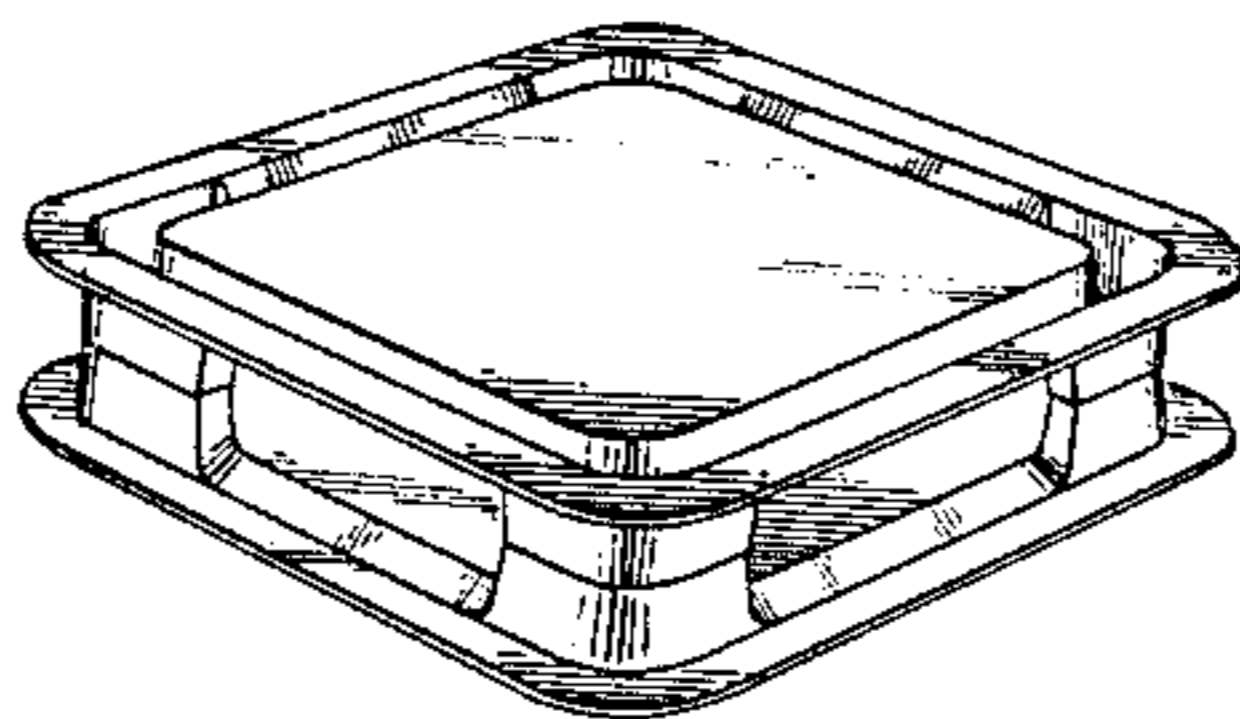


FIG. 1

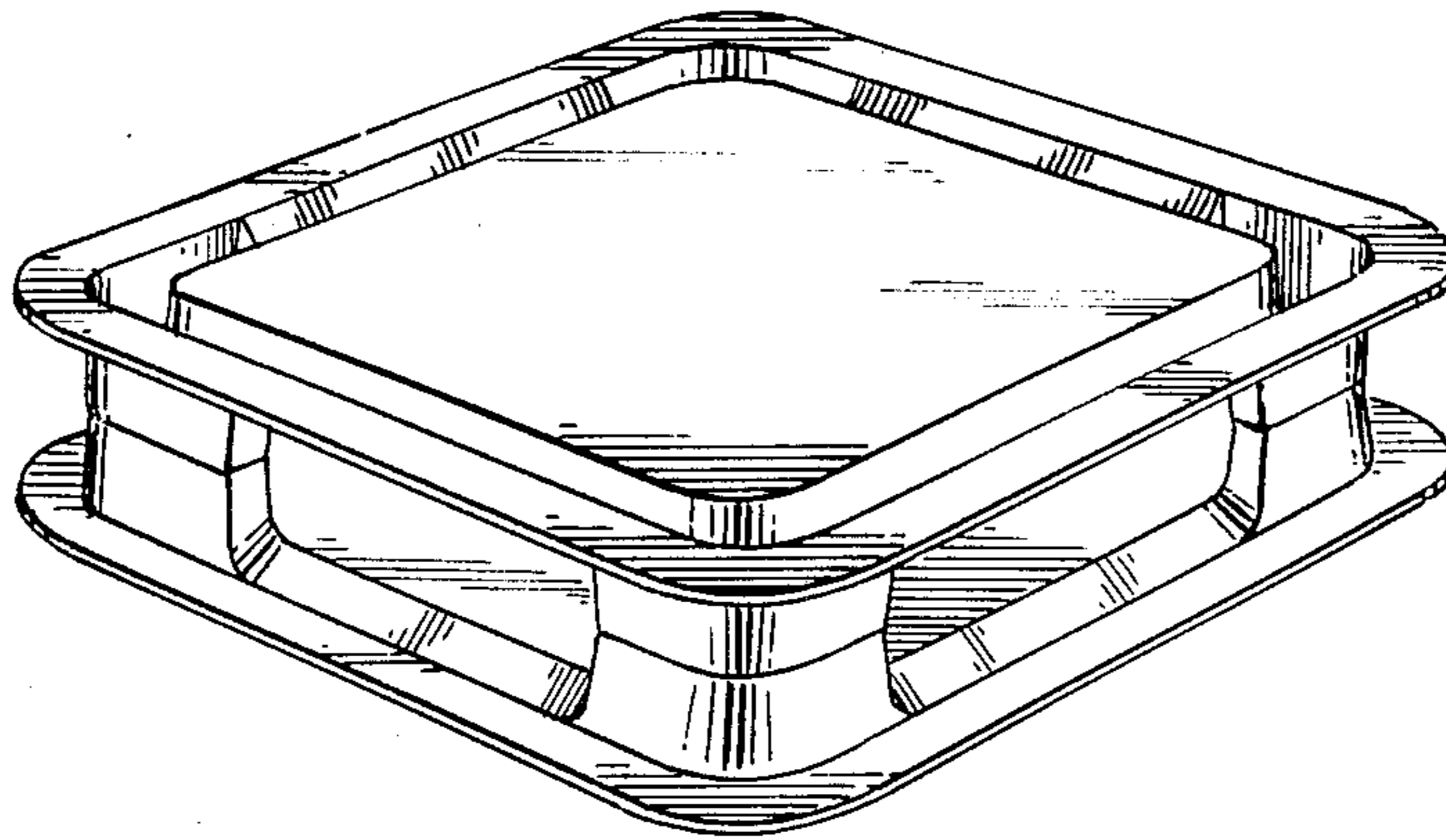


FIG. 2

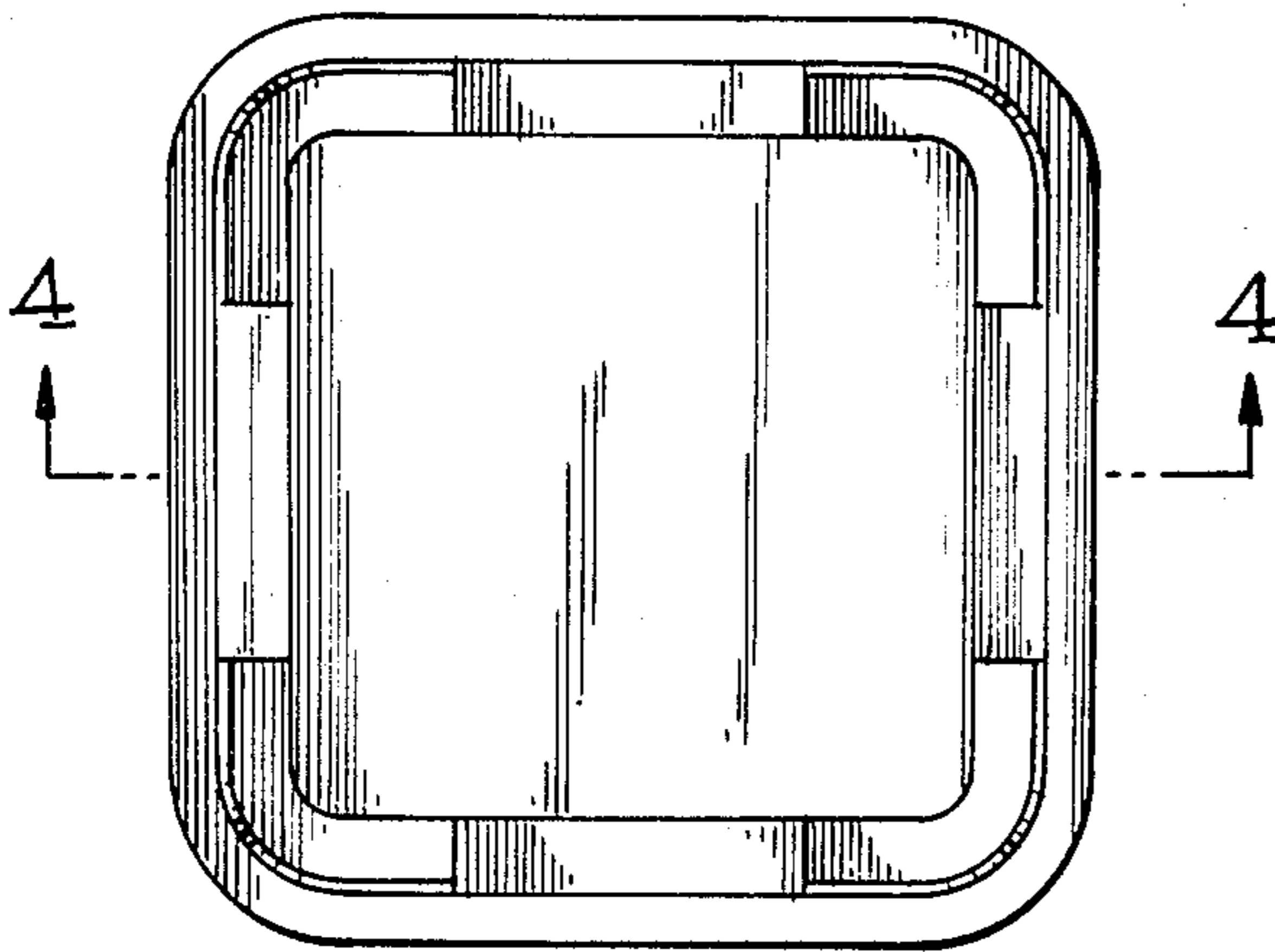


FIG. 3

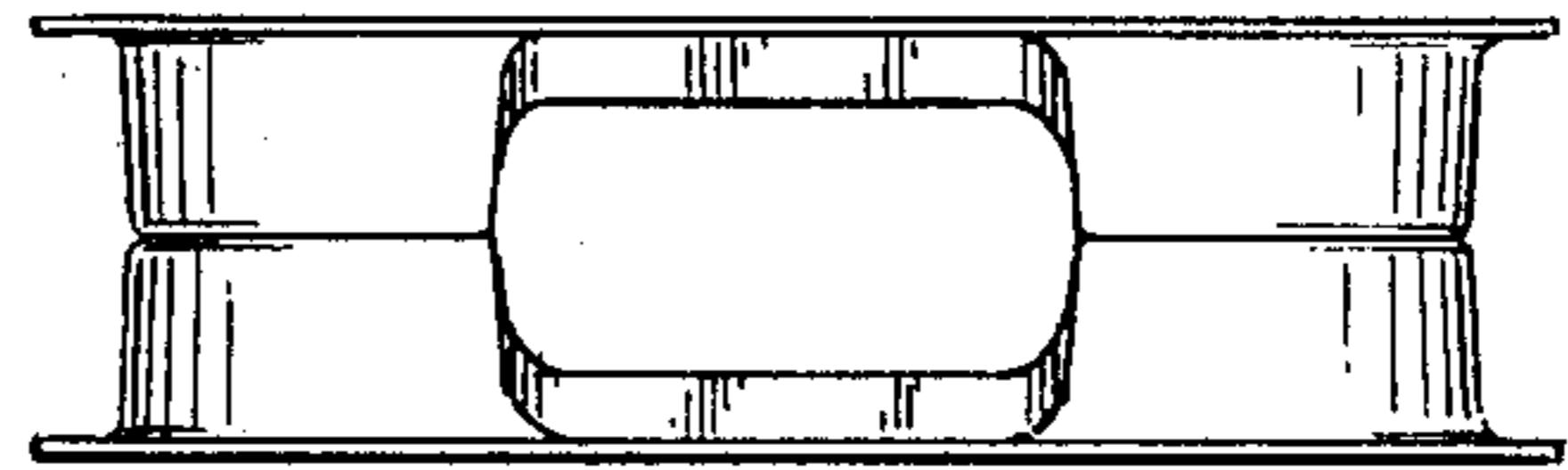


FIG. 4

