

United States Patent [19]

Blackburn

[11] Patent Number: **Des. 306,193**

[45] Date of Patent: **** Feb. 20, 1990**

[54] **BICYCLE EXERCISE SUPPORT**

[75] Inventor: **James R. Blackburn**, Los Gatos, Calif.

[73] Assignee: **Jim Blackburn Designs, Inc.**, Campbell, Calif.

[**] Term: **14 Years**

[21] Appl. No.: **23,470**

[22] Filed: **Mar. 9, 1987**

[52] U.S. Cl. **D21/194; D21/191**

[58] Field of Search **D21/191-199; 272/73, 73.1, 70.1, 70.2, 132; 73/879**

[56] **References Cited**

U.S. PATENT DOCUMENTS

D. 273,882 5/1984 Bryne **D21/191**
4,262,899 4/1981 Alvarez **273/73.1**

4,593,898 6/1986 McLerran et al. **272/73**
4,596,386 6/1986 Sackl **272/73**

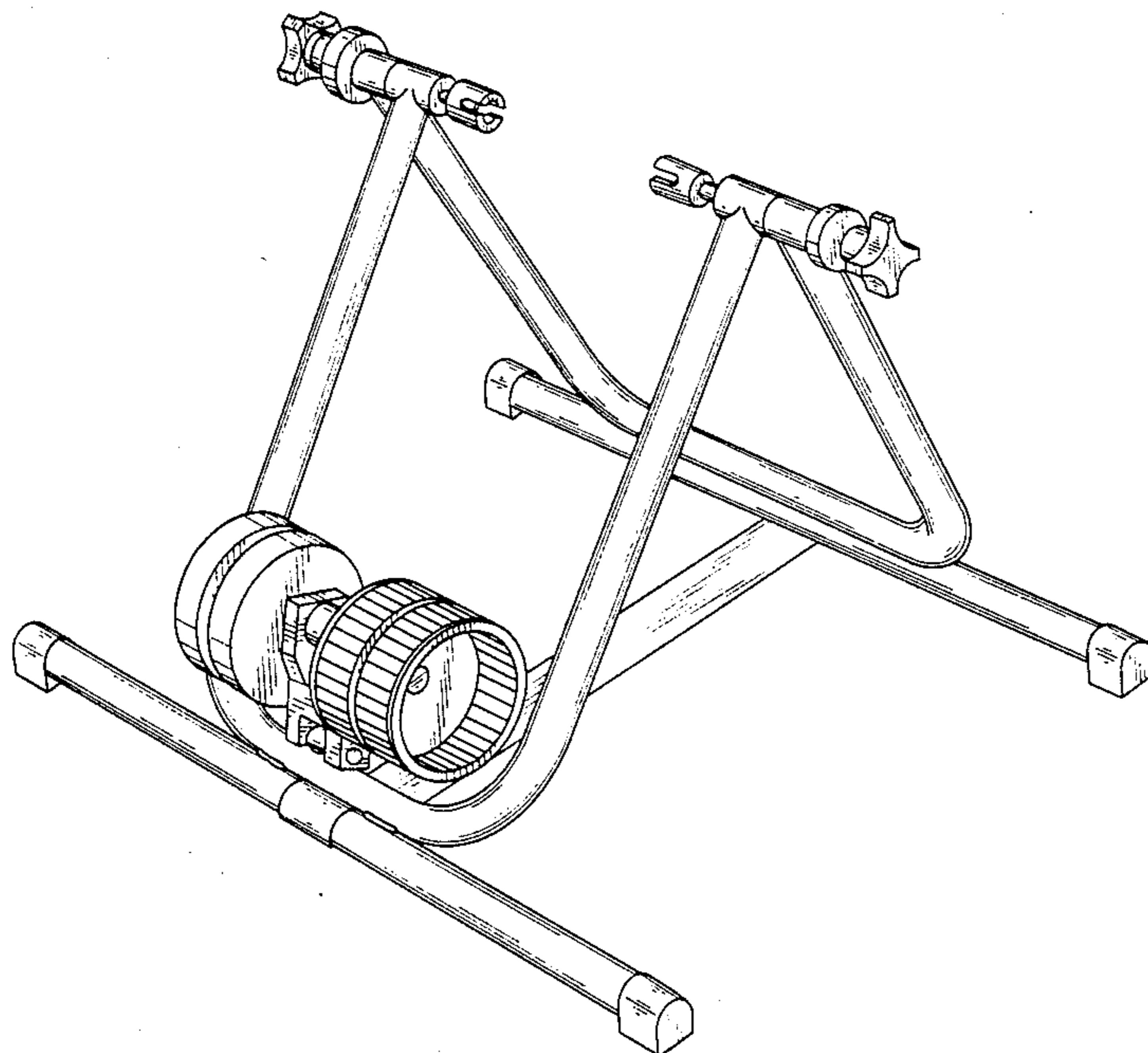
Primary Examiner—Charles A. Rademaker
Attorney, Agent, or Firm—Rosenblum, Parish & Bacigalupi

[57] **CLAIM**

The ornamental design for a bicycle exercise support, as shown and described.

DESCRIPTION

FIG. 1 is a perspective view of a bicycle exercise support showing my new design;
FIG. 2 is a side elevational view thereof, the side opposite being substantially a mirror image;
FIG. 3 is a rear elevational view thereof;
FIG. 4 is a front elevational view thereof;
FIG. 5 is a top plan view thereof; and,
FIG. 6 is a bottom plan view thereof.



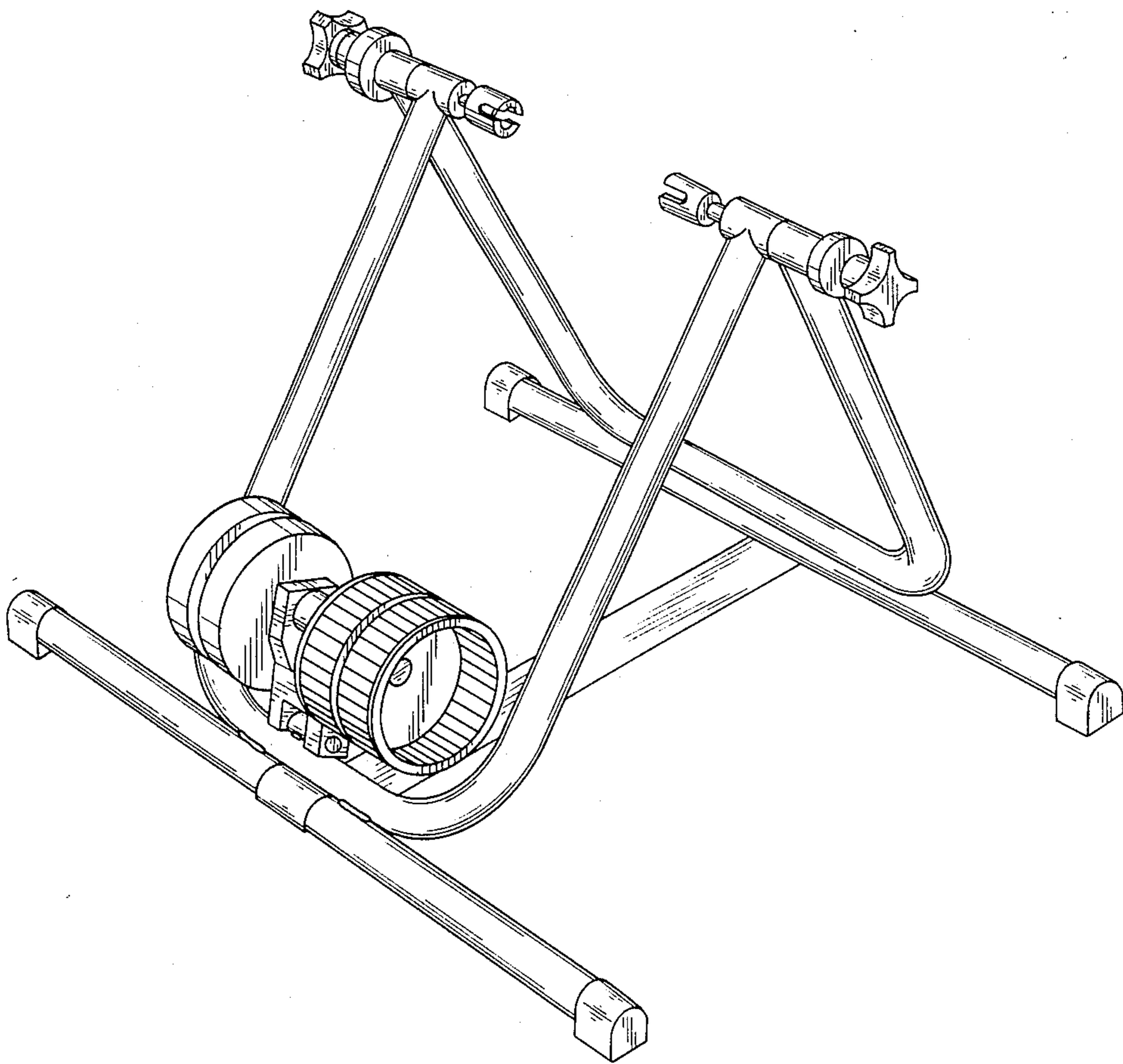


FIG. 1

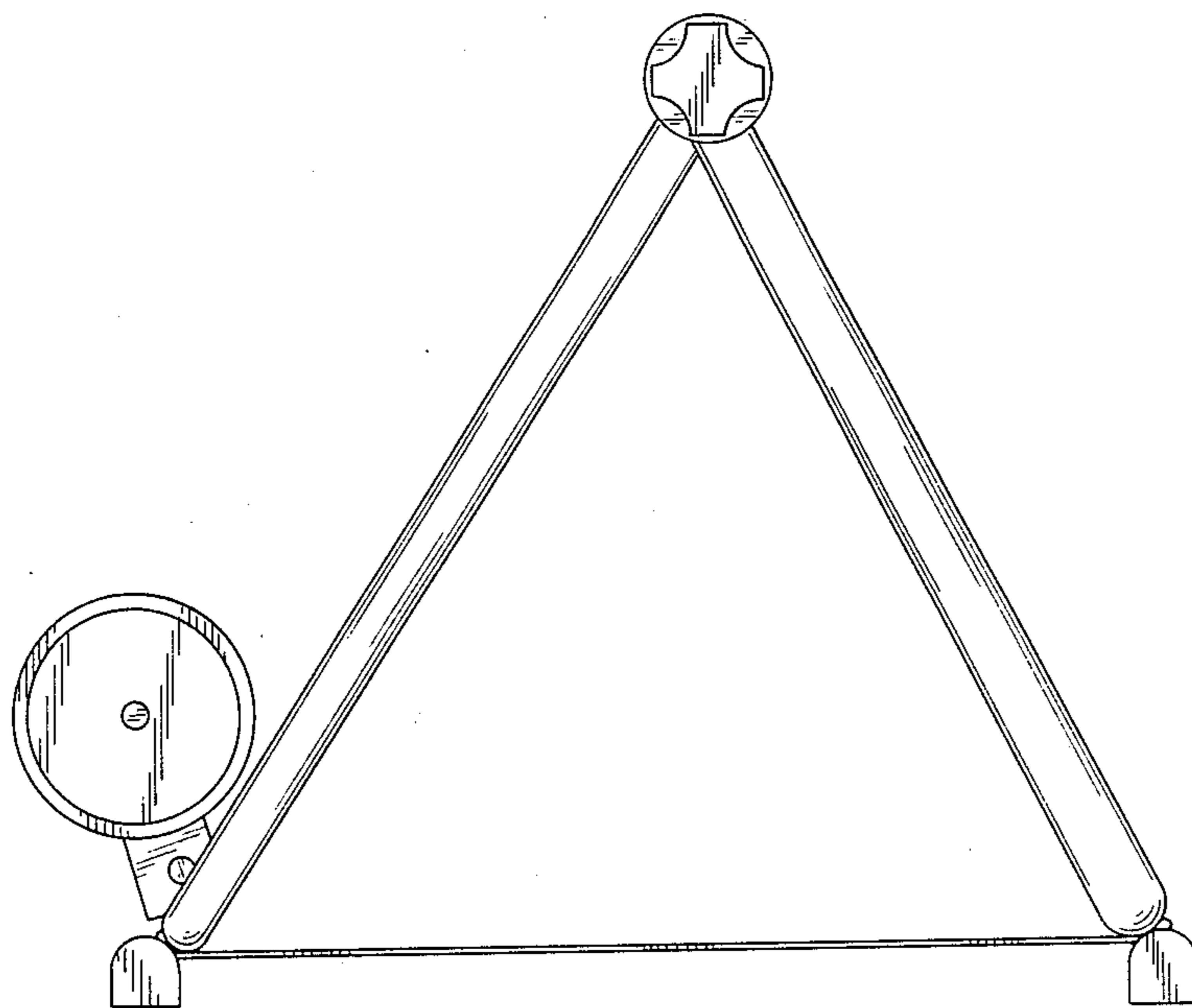


FIG. 2

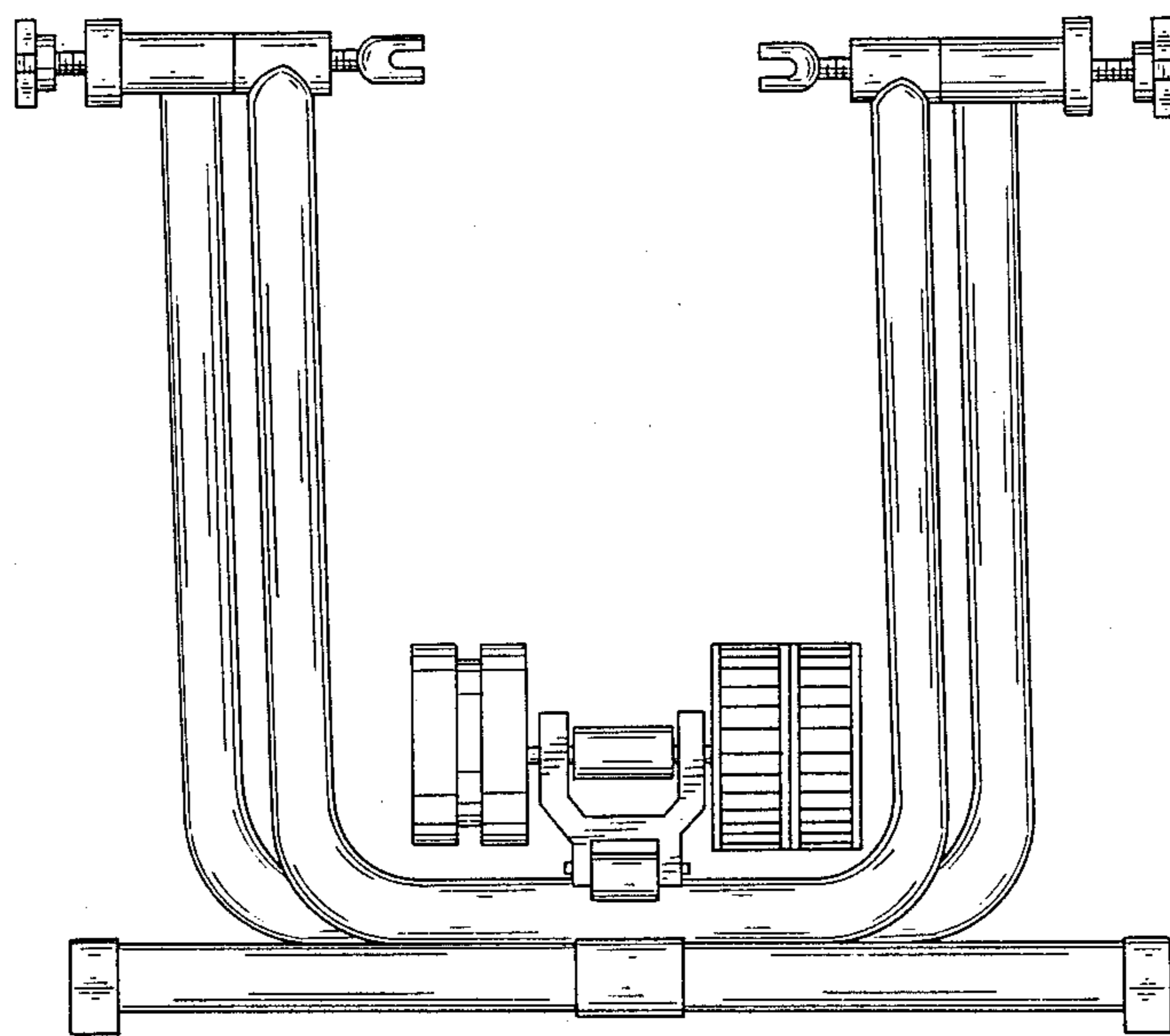


FIG. 3

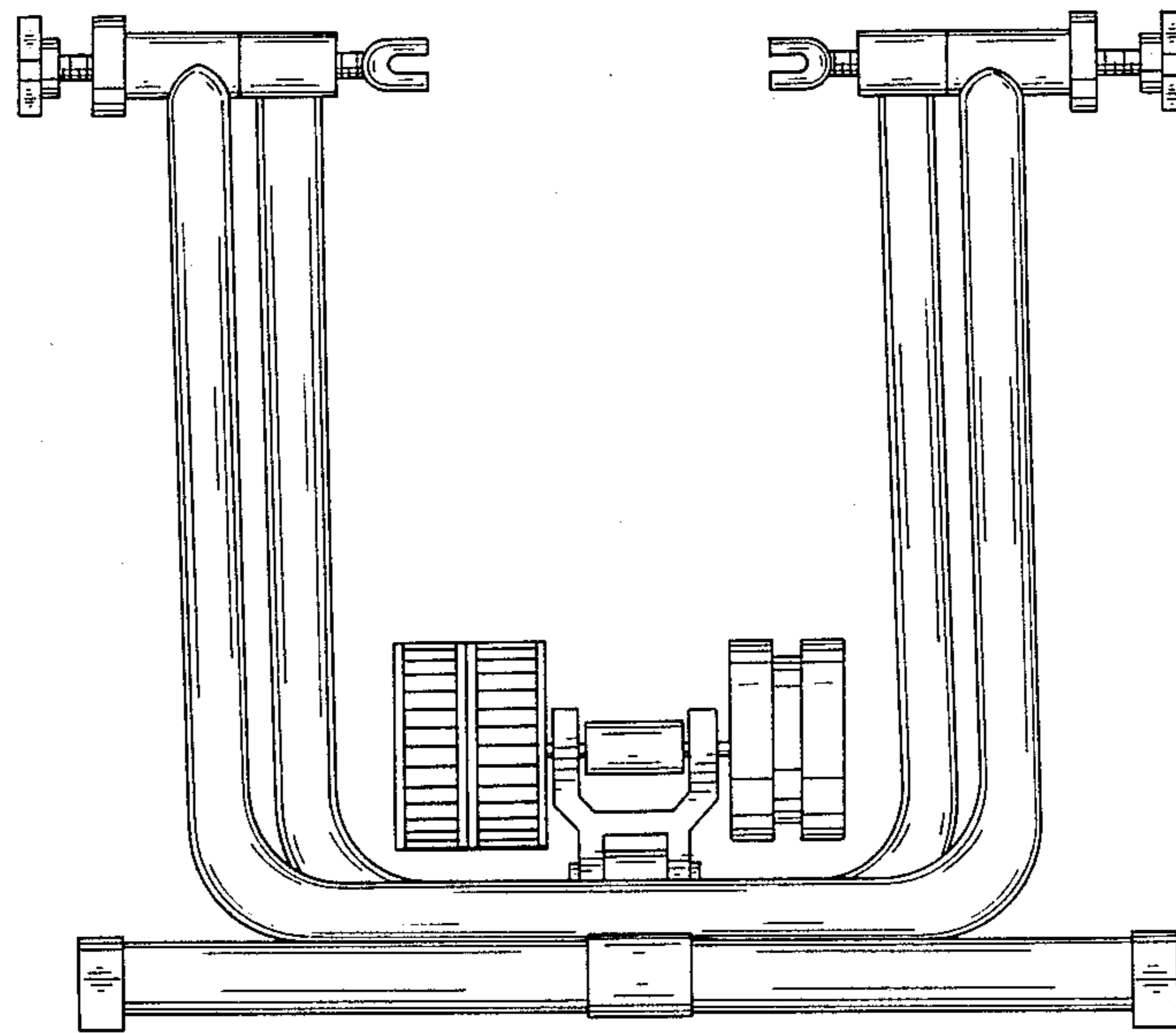


FIG. 4

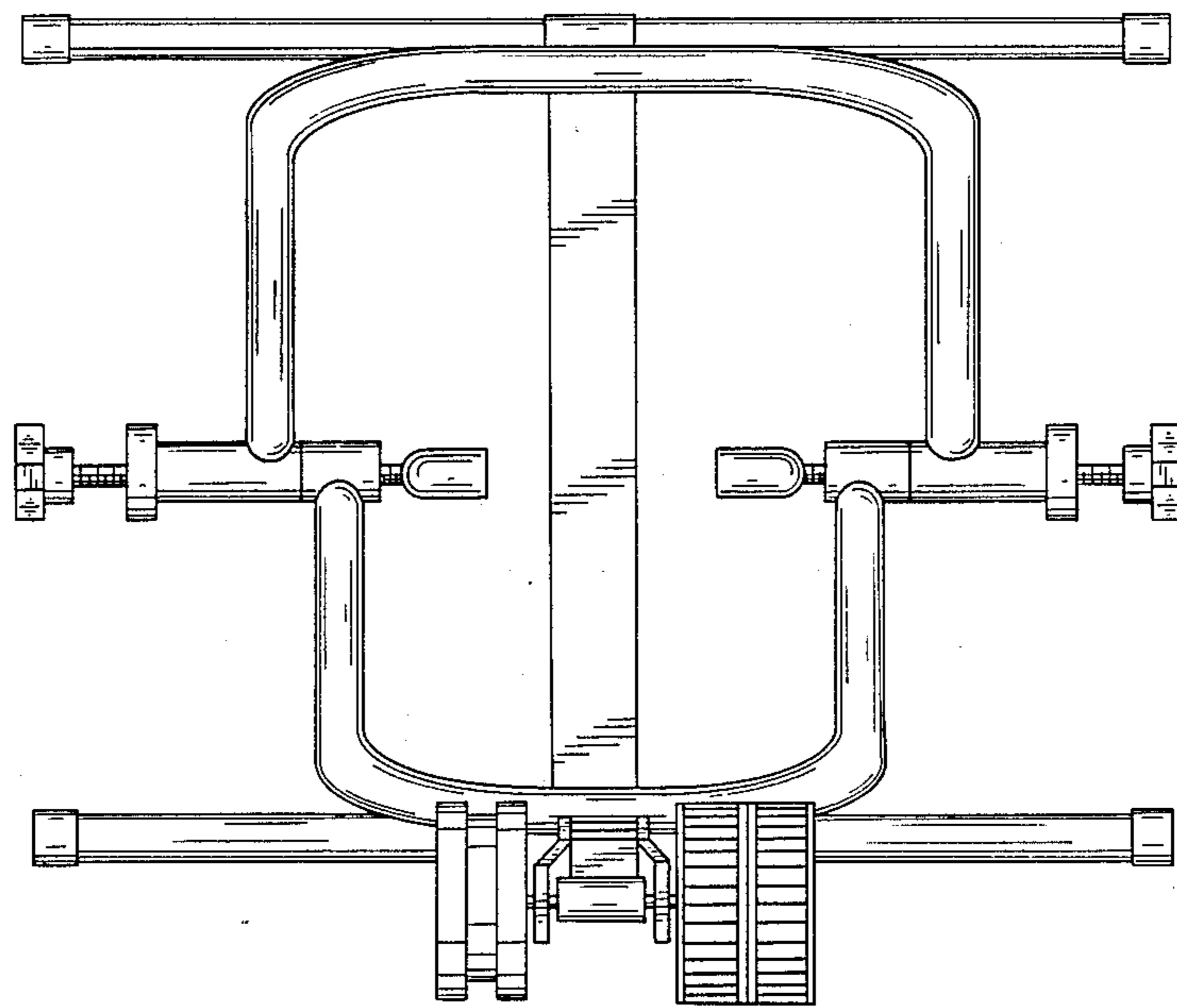


FIG. 5

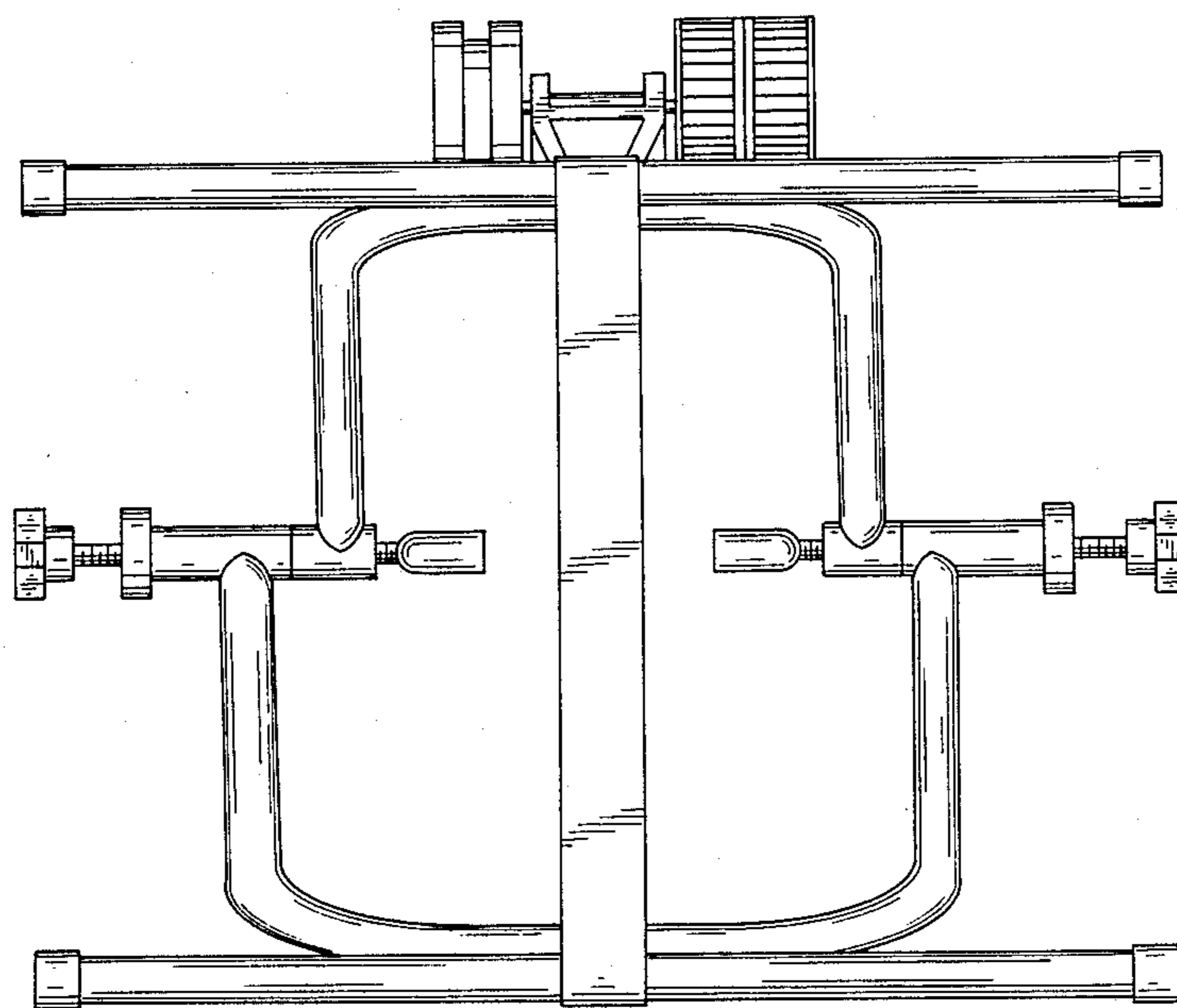


FIG.6