

[54] **BASE PLATE FOR A TOY ACTIVITY CENTER**

[75] Inventors: Erik P. Tapdrup, Virum; Flemming H. Olsen, Espergaerde, both of Denmark

[73] Assignee: Interlego A.G., Switzerland

[\*\*] Term: 14 Years

[21] Appl. No.: 935,702

[22] Filed: Nov. 26, 1986

[30] **Foreign Application Priority Data**

May 29, 1986 [DK] Denmark ..... 547/86

[52] U.S. Cl. .... D21/59

[58] Field of Search ..... D21/59, 63, 108; 273/156; 434/403; 446/124, 117

[56] **References Cited**

**U.S. PATENT DOCUMENTS**

D. 236,141 7/1975 Snyder ..... D21/59

D. 244,632 6/1977 Christiansen ..... D21/108

D. 275,502 9/1984 Nakao et al. .... D21/59

D. 282,183 1/1986 Shiraishi ..... D21/59

D. 284,293 6/1986 Thomson et al. .... D21/59

D. 285,225 8/1986 Tapdrup ..... D21/108

4,487,585 12/1984 Goldwasser ..... 273/156

*Primary Examiner*—Charles A. Rademaker

*Assistant Examiner*—Alicia A. Farrell

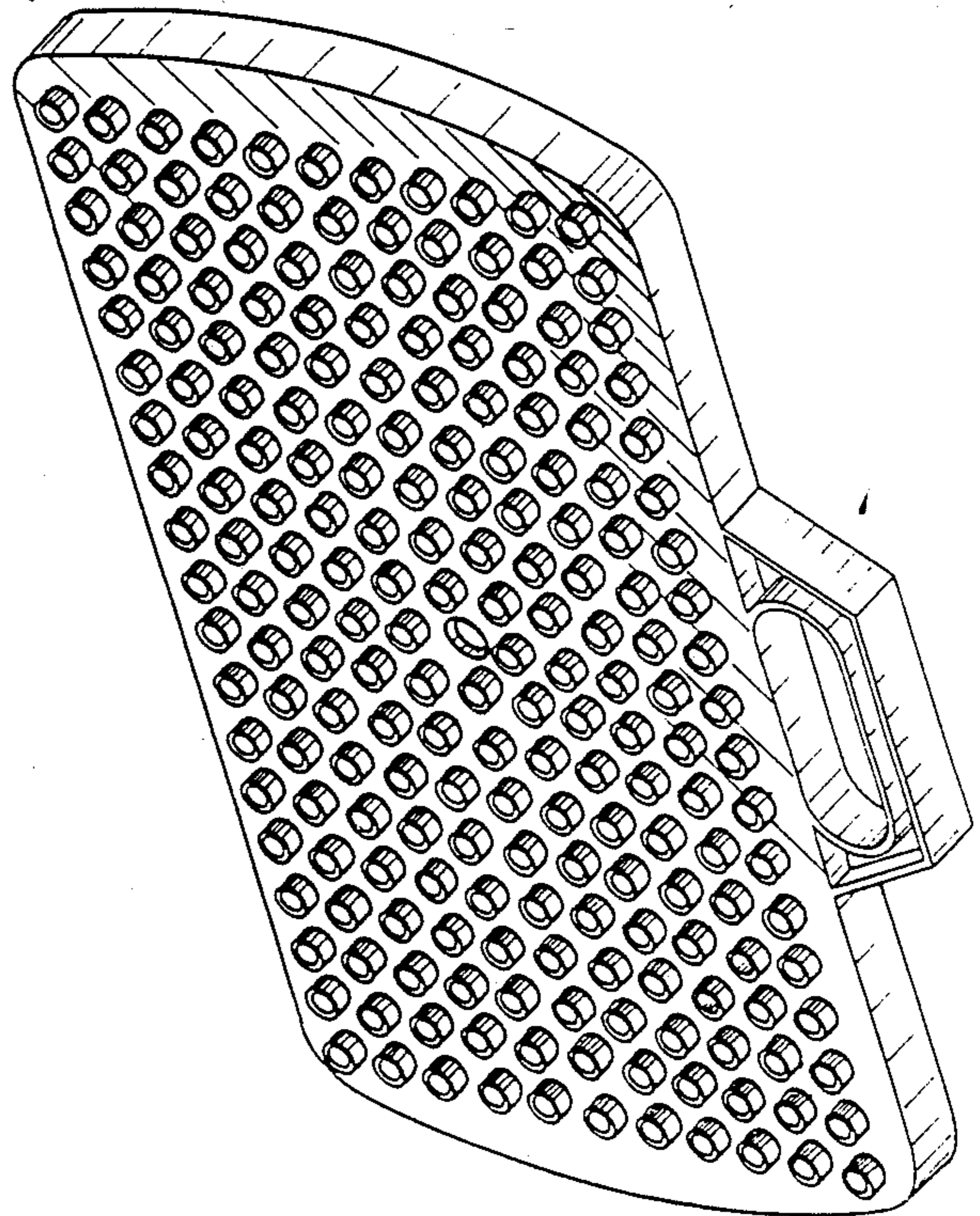
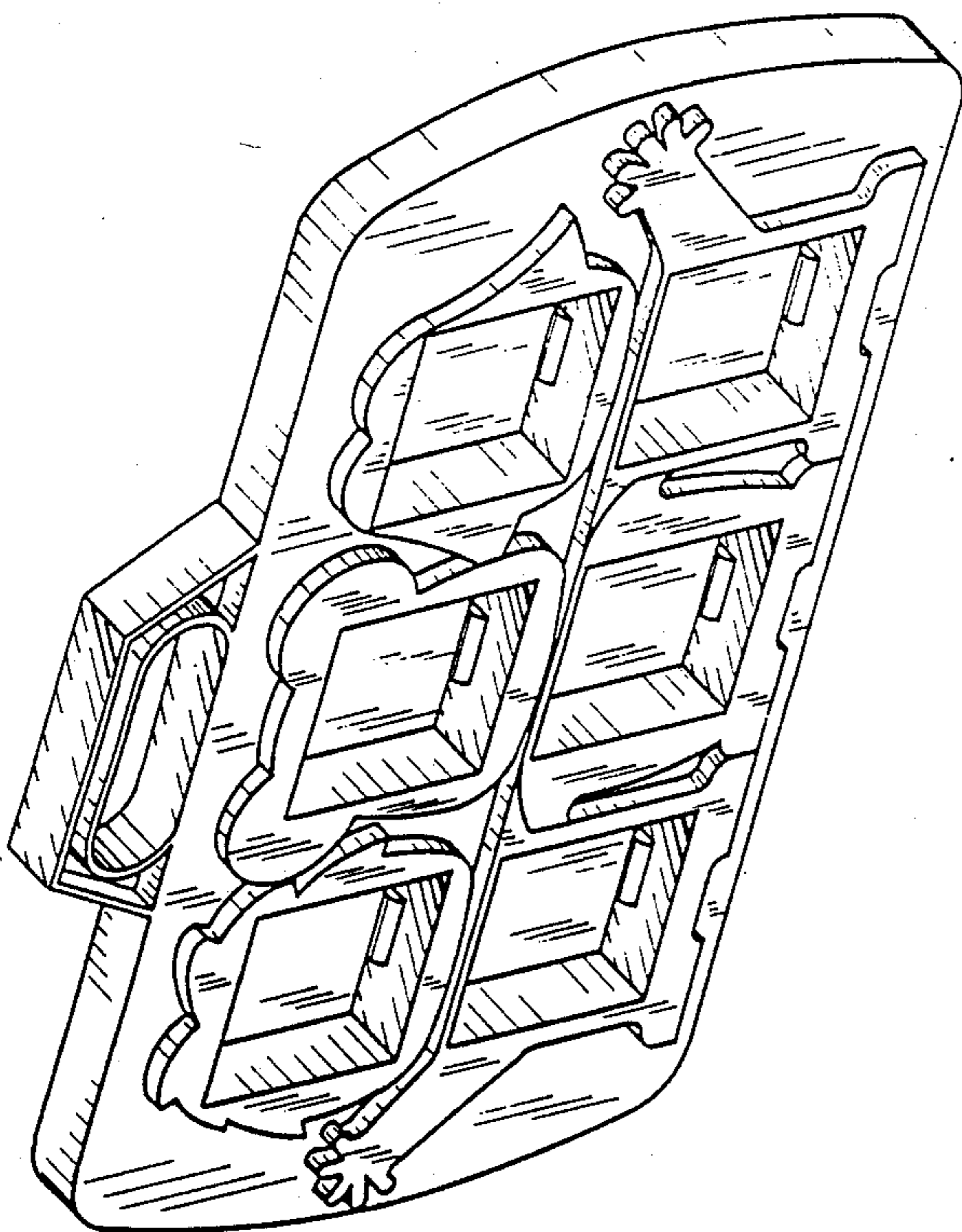
*Attorney, Agent, or Firm*—Kane, Dalsimer, Sullivan, Kurucz, Levy, Eisele and Richard

[57] **CLAIM**

The ornamental design for a base plate for a toy activity center, as shown and described.

**DESCRIPTION**

FIG. 1 is a front perspective view of a base plate for a toy activity center showing our new design; FIG. 2 is a rear perspective view thereof; FIG. 3 is a rear elevational view thereof; FIG. 4 is a right side elevational view thereof; FIG. 5 is a left side elevational view thereof; FIG. 6 is a top plan view thereof; FIG. 7 is a bottom plan view thereof; and FIG. 8 is a front elevational view thereof.



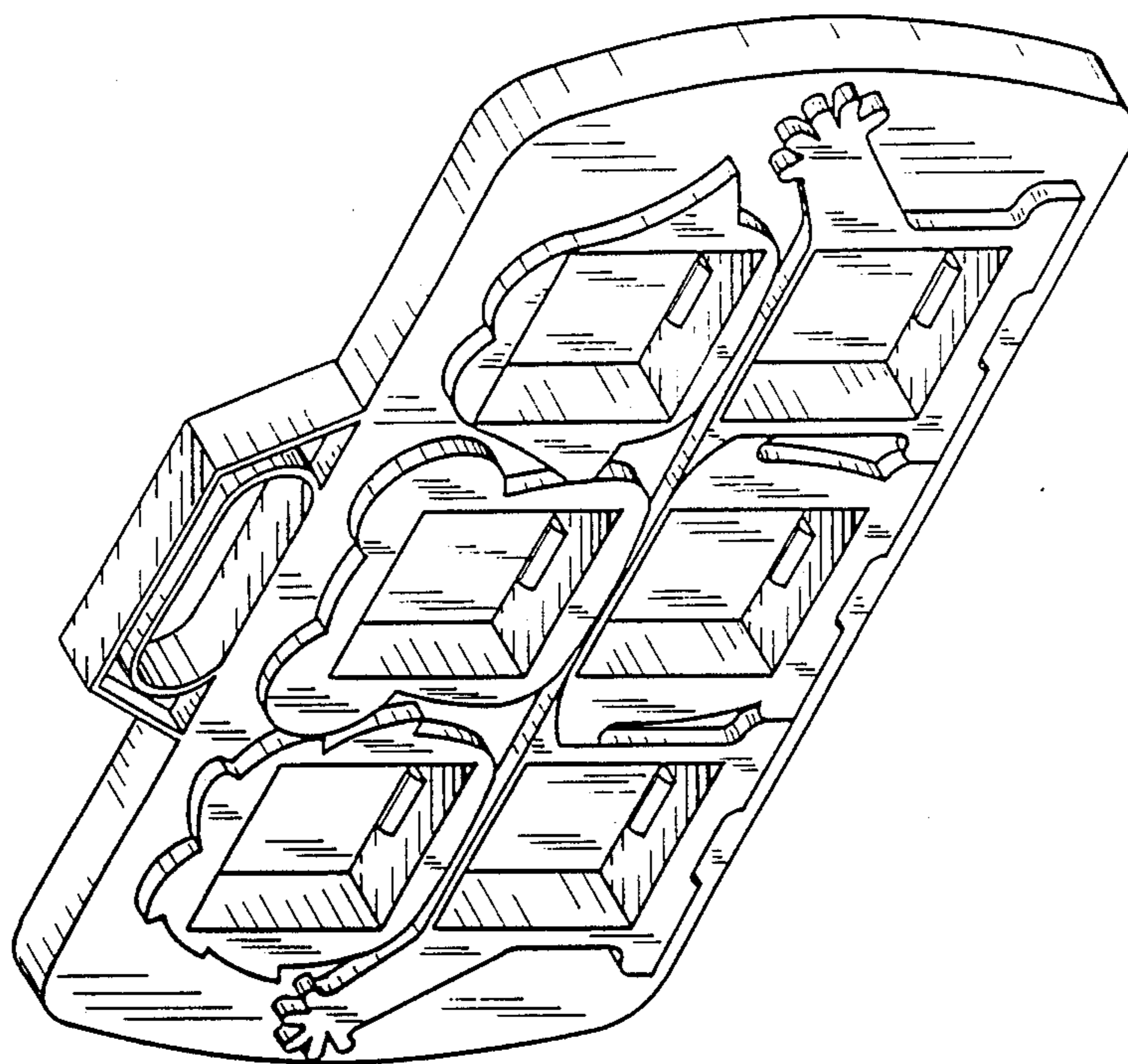


FIG.1

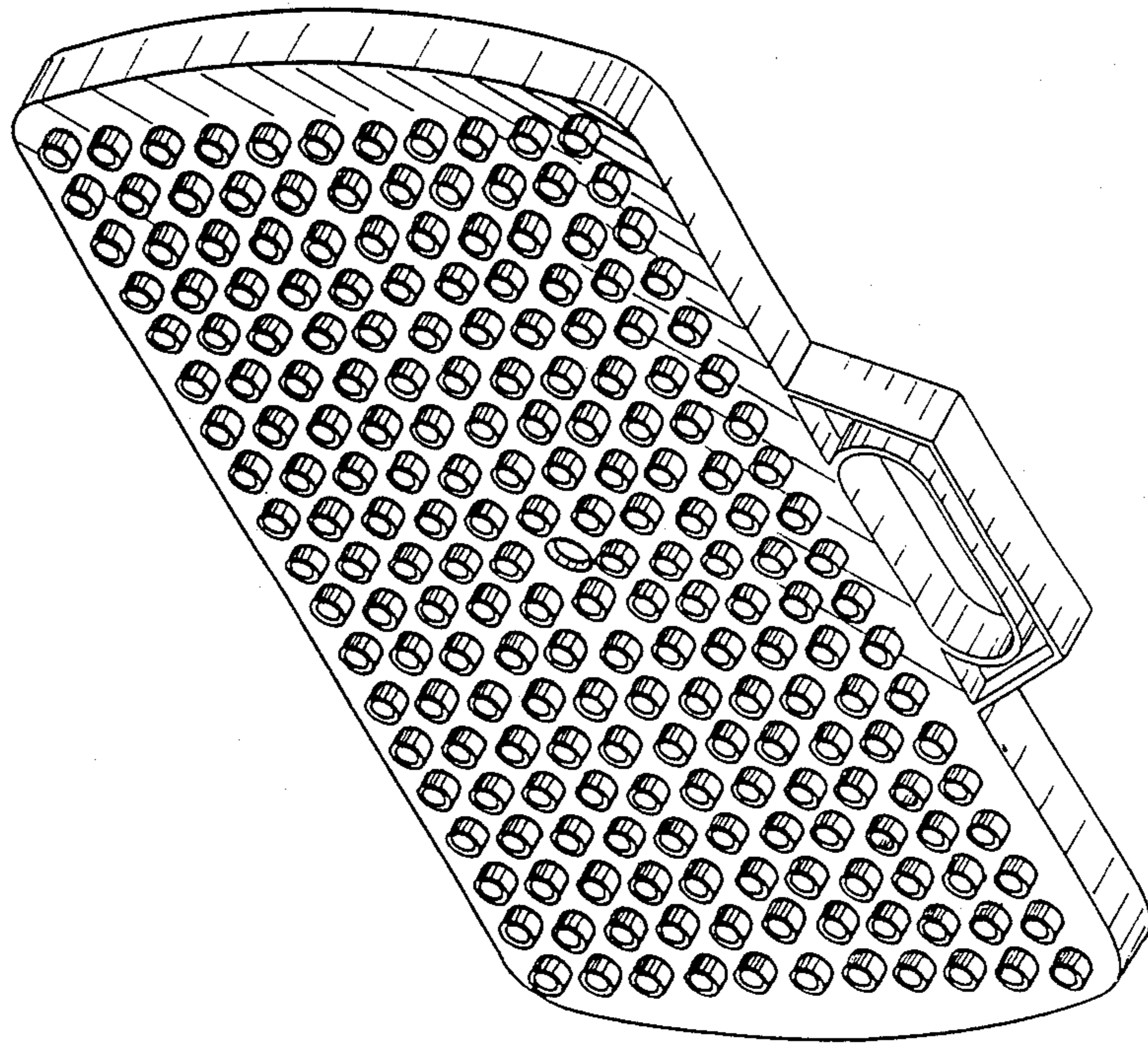


FIG.2

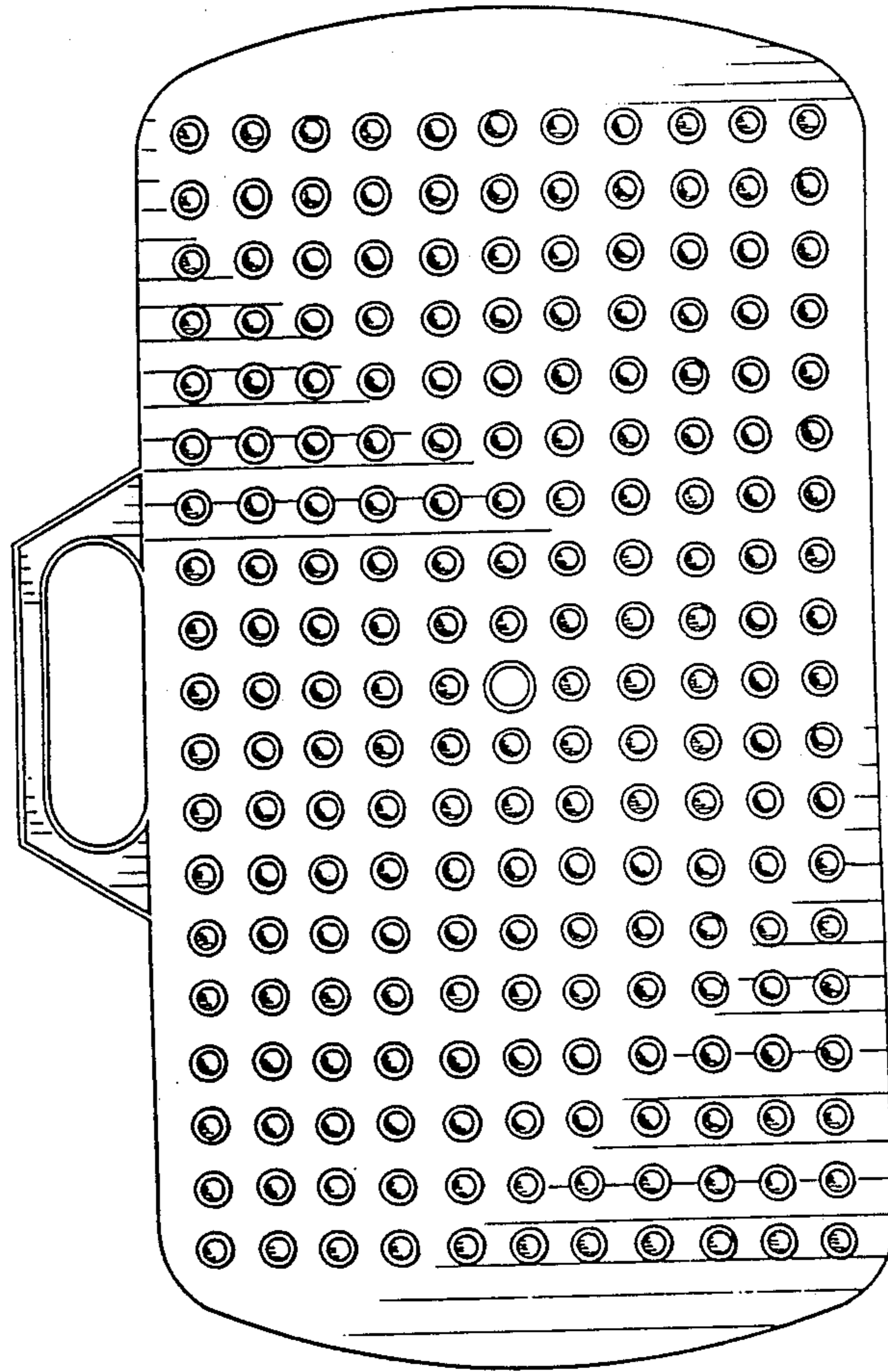


FIG.3



FIG. 4

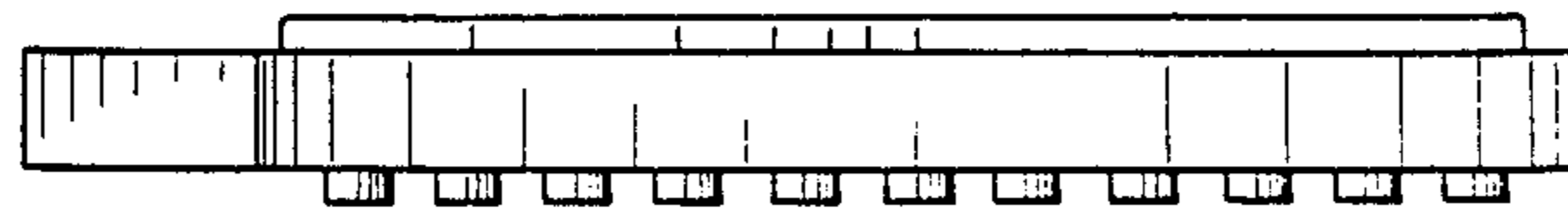


FIG. 5



FIG. 6



FIG. 7

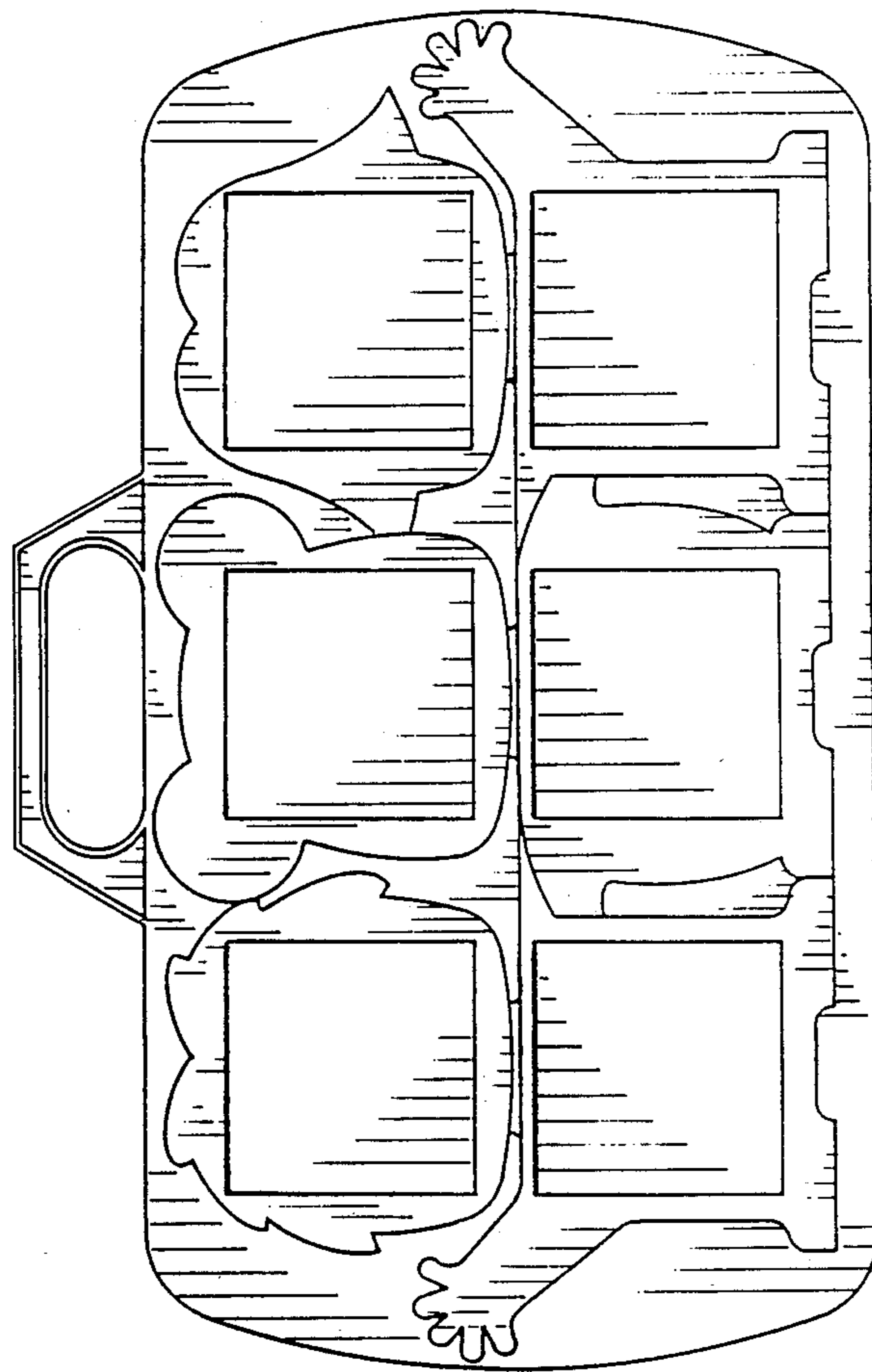


FIG.8