

# United States Patent [19]

Ukisu

[11] Patent Number: Des. 306,187

[45] Date of Patent: \*\* Feb. 20, 1990

[54] SIMULATIVE TOY BOX

[75] Inventor: Hiroshi Ukisu, Matsudo, Japan

[73] Assignee: Epoch Company, Ltd., Tokyo, Japan

[\*\*] Term: 14 Years

[21] Appl. No.: 131,528

[22] Filed: Dec. 11, 1987

[52] U.S. Cl. .... D21/59; D9/414;  
D21/109

[58] Field of Search ..... D21/59, 109; D3/20,  
D3/21; D9/307, 332, 333, 414, 420; 446/71, 73,  
75, 80, 475, 483, 489, 491; 434/159, 160, 403;  
273/157 R

[56] References Cited

## U.S. PATENT DOCUMENTS

D. 10,886 10/1878 Weller ..... D9/333  
D. 117,608 11/1939 Blunt ..... D9/333

1,237,954 8/1917 Prevost ..... 446/73  
4,666,042 5/1987 Dlott et al. .... 446/73

Primary Examiner—Charles A. Rademaker  
Attorney, Agent, or Firm—Staas & Halsey

[57] CLAIM

The ornamental design for a simulative toy box, as shown and described.

## DESCRIPTION

FIG. 1 is a front elevational view of a simulative toy box showing my new design, the opposite being a mirror image;

FIG. 2 is a right side elevational view thereof;

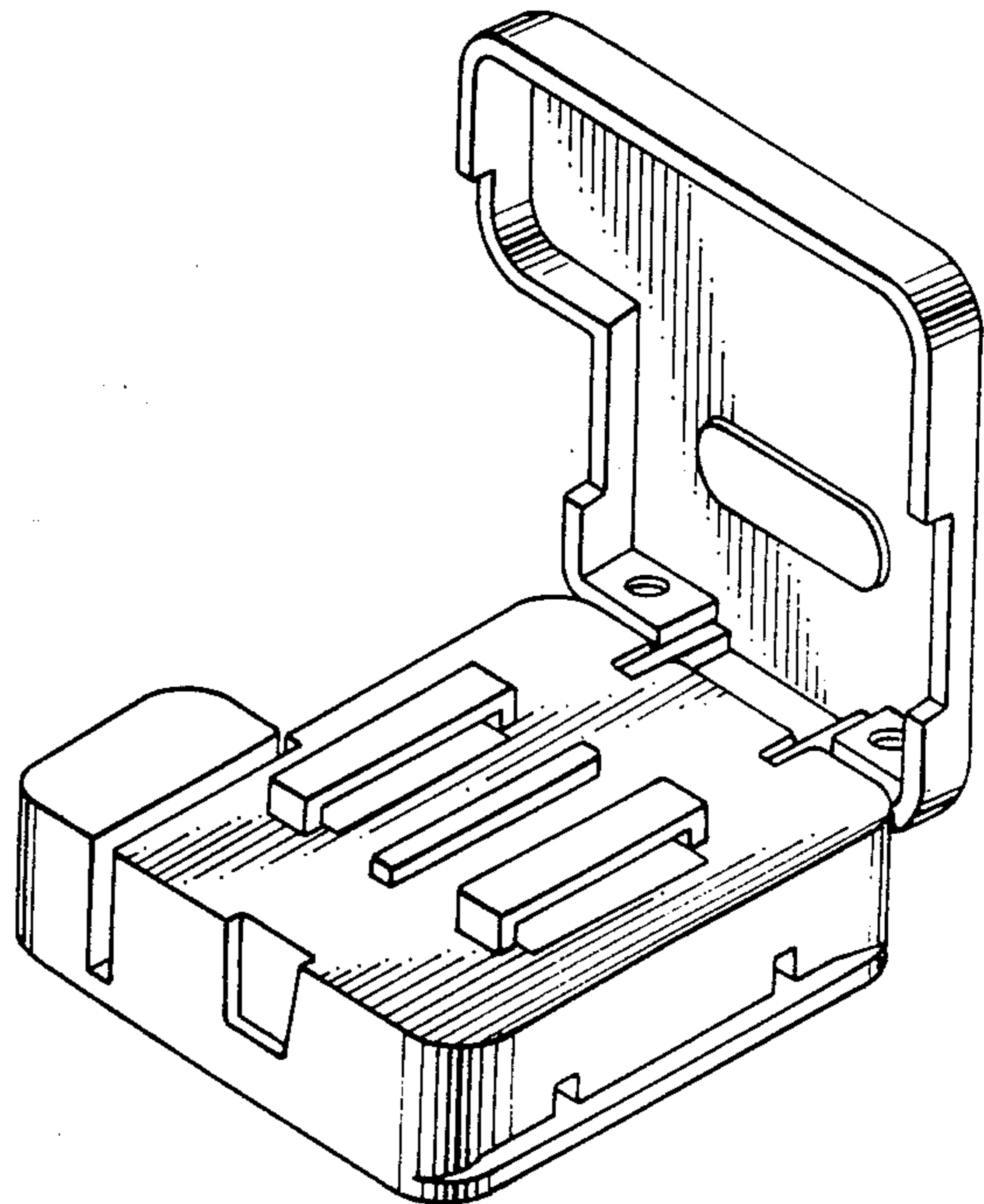
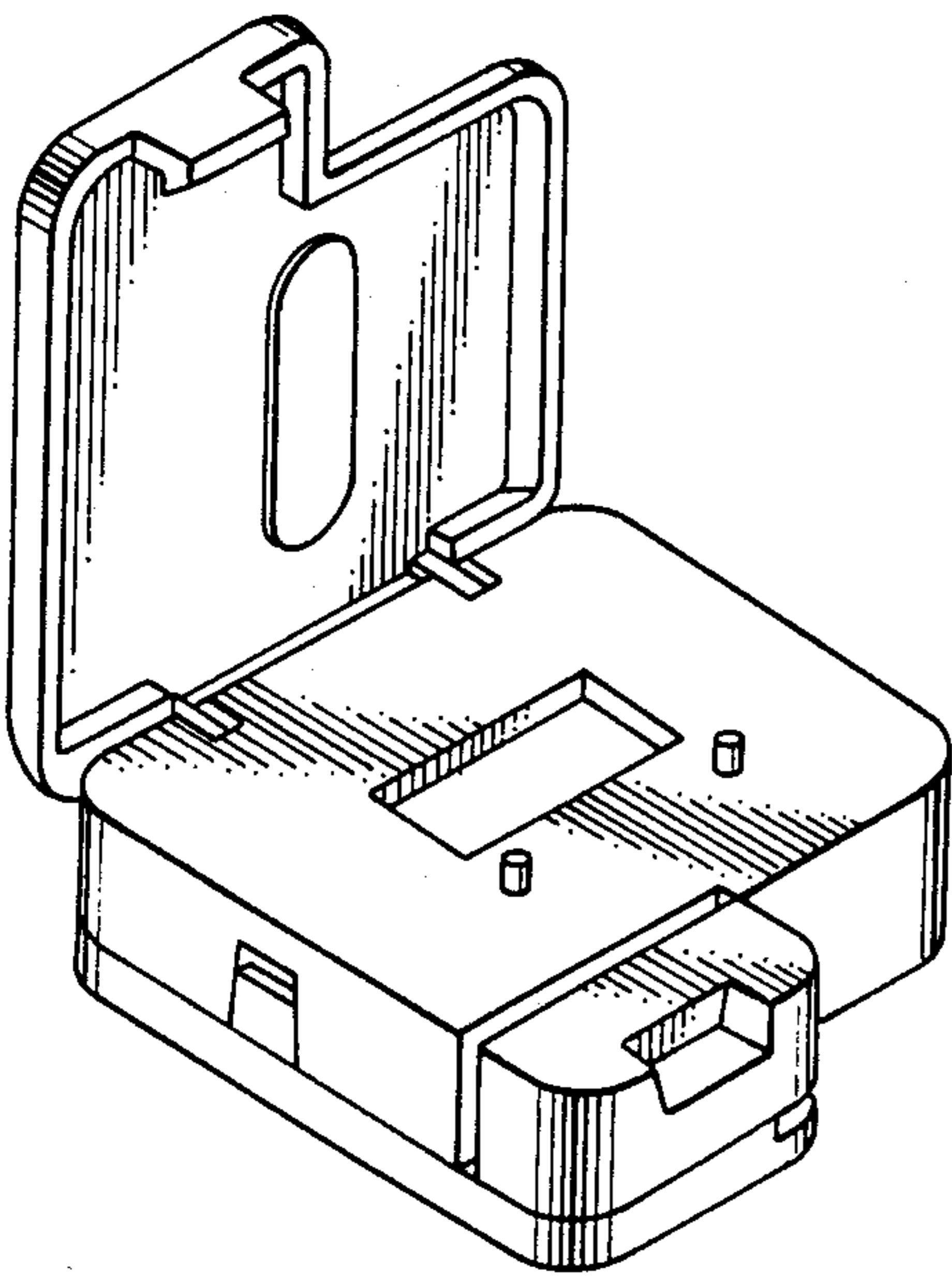
FIG. 3 is a left side elevational view thereof;

FIG. 4 is a top plan view thereof;

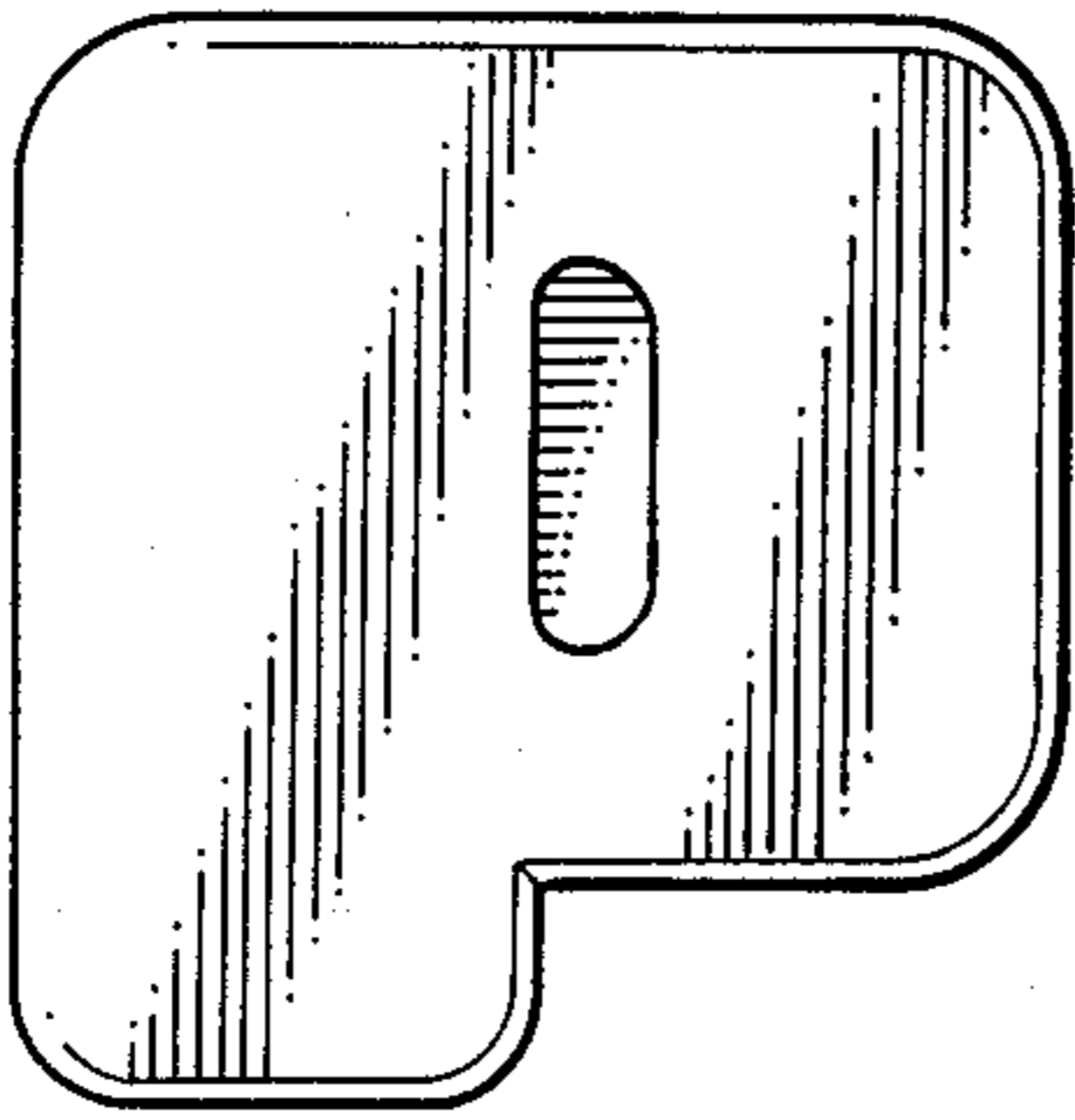
FIG. 5 is a bottom plan view thereof;

FIG. 6 is a perspective view thereof with the front cover in an open position; and,

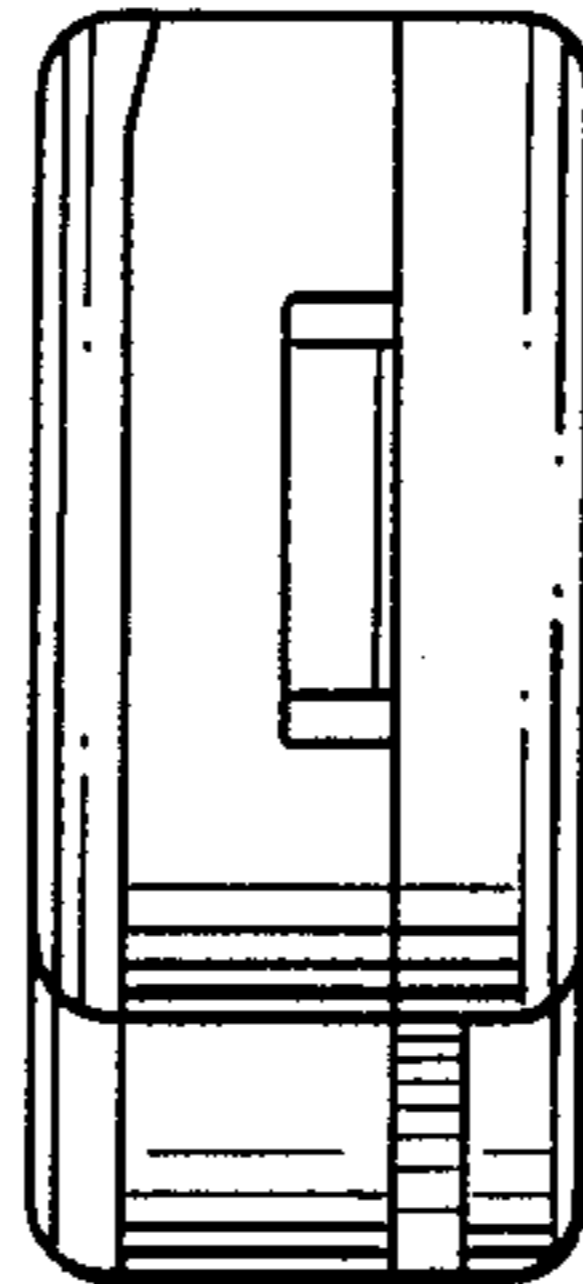
FIG. 7 is another perspective view thereof with the rear cover in an open position.



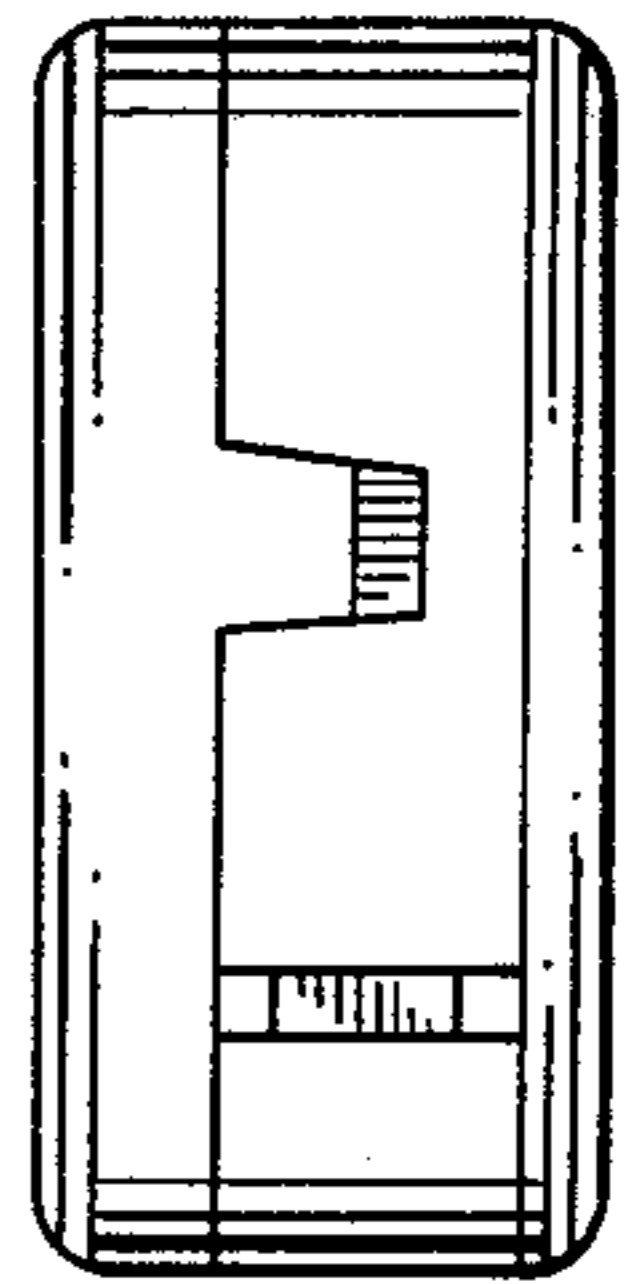
**FIG. 1.**



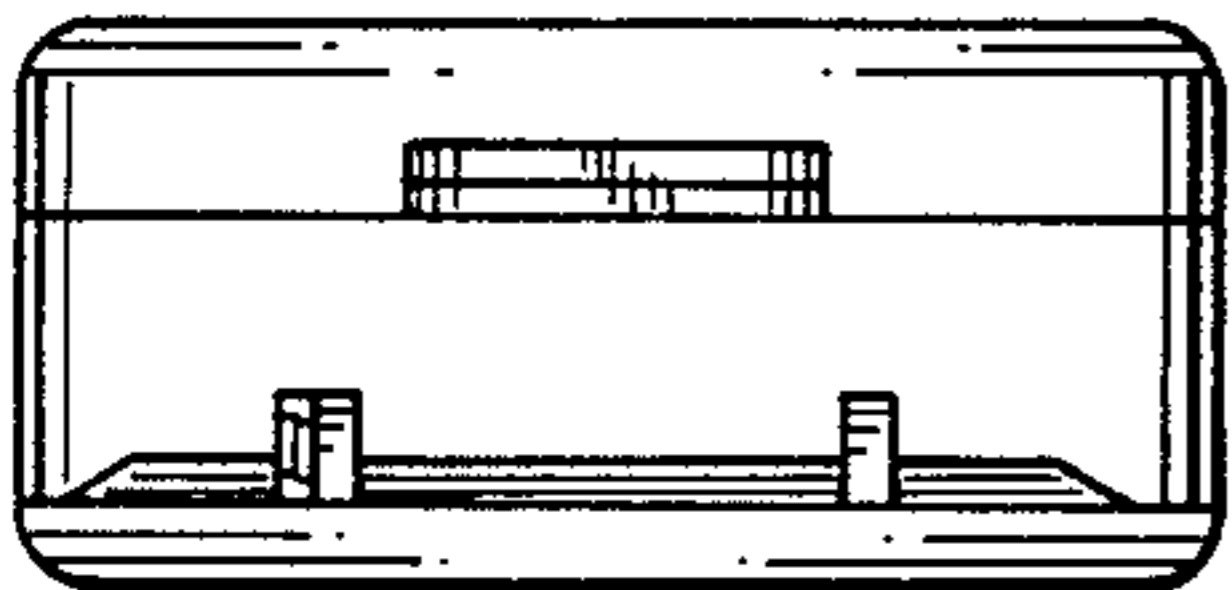
**FIG. 2.**



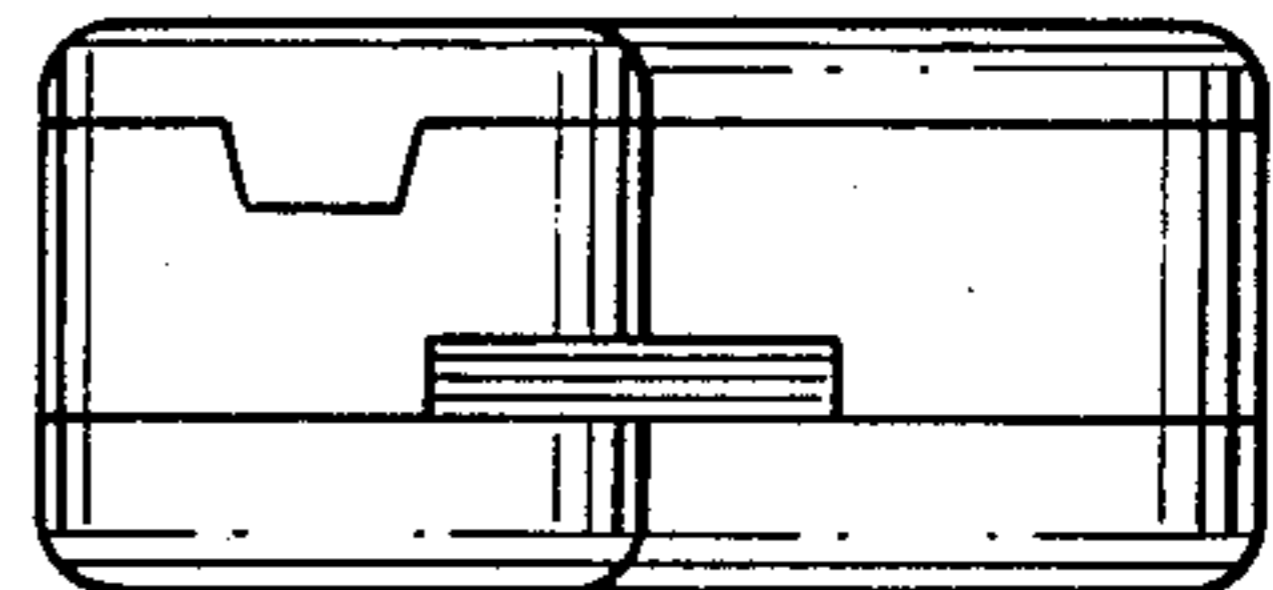
**FIG. 3.**



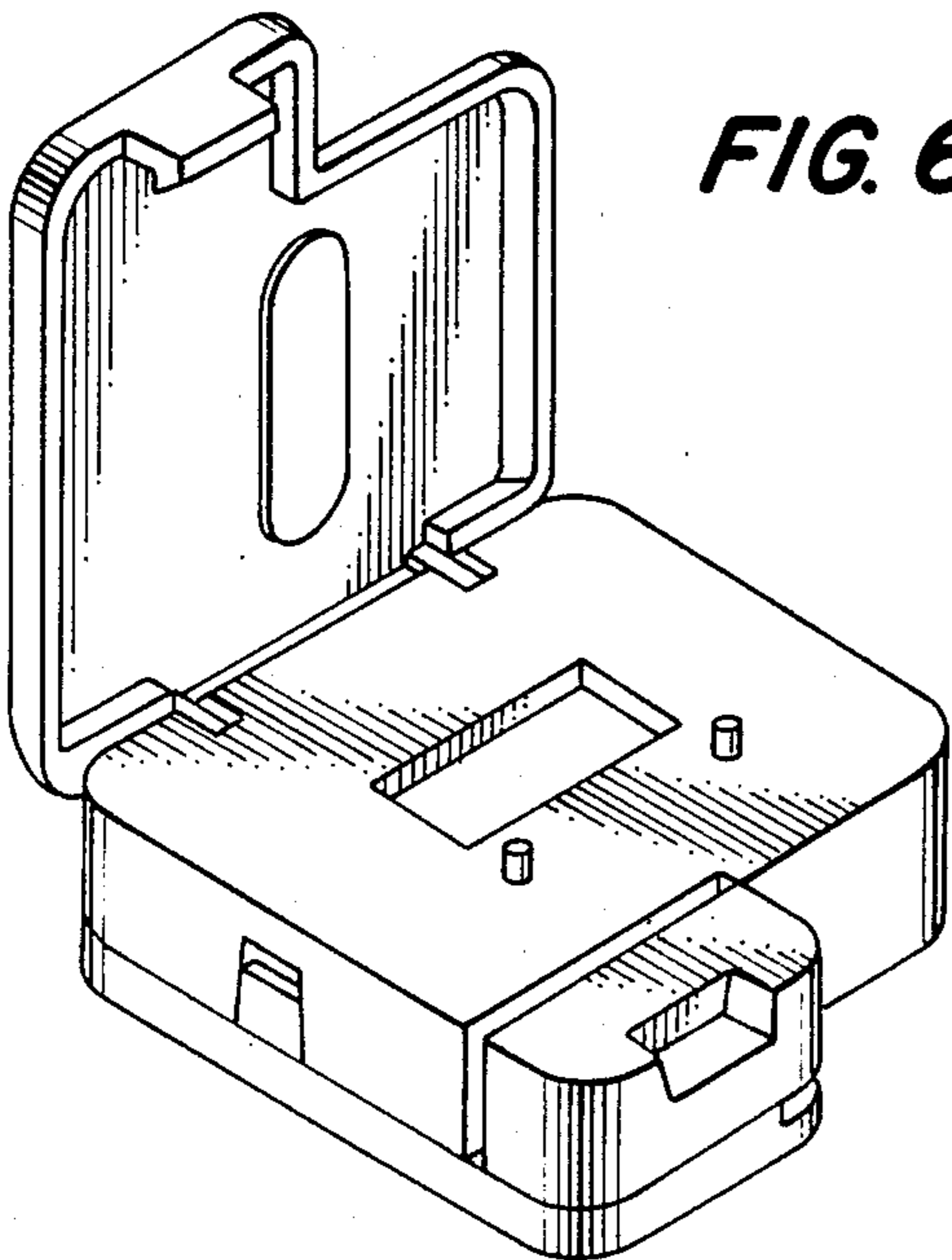
**FIG. 4.**



**FIG. 5.**



**FIG. 6.**



**FIG. 7.**

