

- [54] SIMULATIVE TOY BOX
- [75] Inventor: Hiroshi Ukisu, Matsudo, Japan
- [73] Assignee: Epoch Company, Ltd., Tokyo, Japan
- [**] Term: 14 Years
- [21] Appl. No.: 131,526
- [22] Filed: Dec. 11, 1987
- [52] U.S. Cl. D21/59; D9/414;
D21/109
- [58] Field of Search D21/59, 109; D3/20,
D3/21; D9/307, 332, 333, 414, 420; 446/71, 73,
75, 80, 475, 483, 487, 489, 491; 434/159, 160,
403; 273/157 R

- D. 17,982 12/1887 Gardner D9/333
- D. 117,609 11/1939 Blunt D9/333
- 4,666,042 5/1987 Dlott et al. 446/73

Primary Examiner—Charles A. Rademaker
Attorney, Agent, or Firm—Staas & Halsey

[57] CLAIM

The ornamental design for a simulative toy box, as shown and described.

DESCRIPTION

FIG. 1 is a front elevational view of a simulative toy box showing my new design, the side opposite being a mirror image;
 FIG. 2 is a right side elevational view thereof;
 FIG. 3 is a left side elevational view thereof;
 FIG. 4 is a top plan view thereof;
 FIG. 5 is a bottom plan view thereof; and
 FIG. 6 is a perspective view thereof with the cover in an open position.

[56] References Cited

U.S. PATENT DOCUMENTS

- D. 10,871 10/1878 Weller et al. D9/333
- D. 10,886 10/1878 Weller D9/333

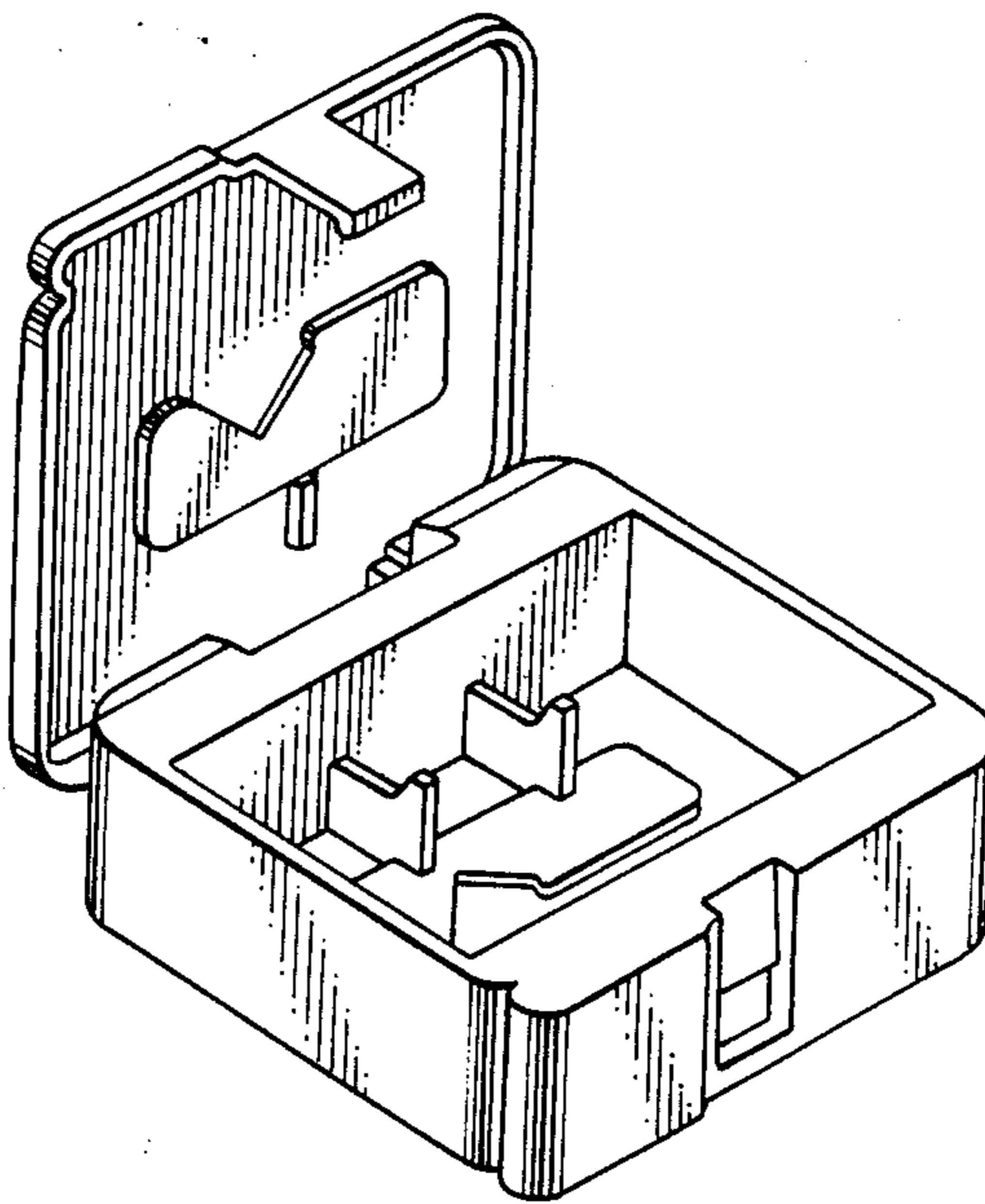


FIG. 1.

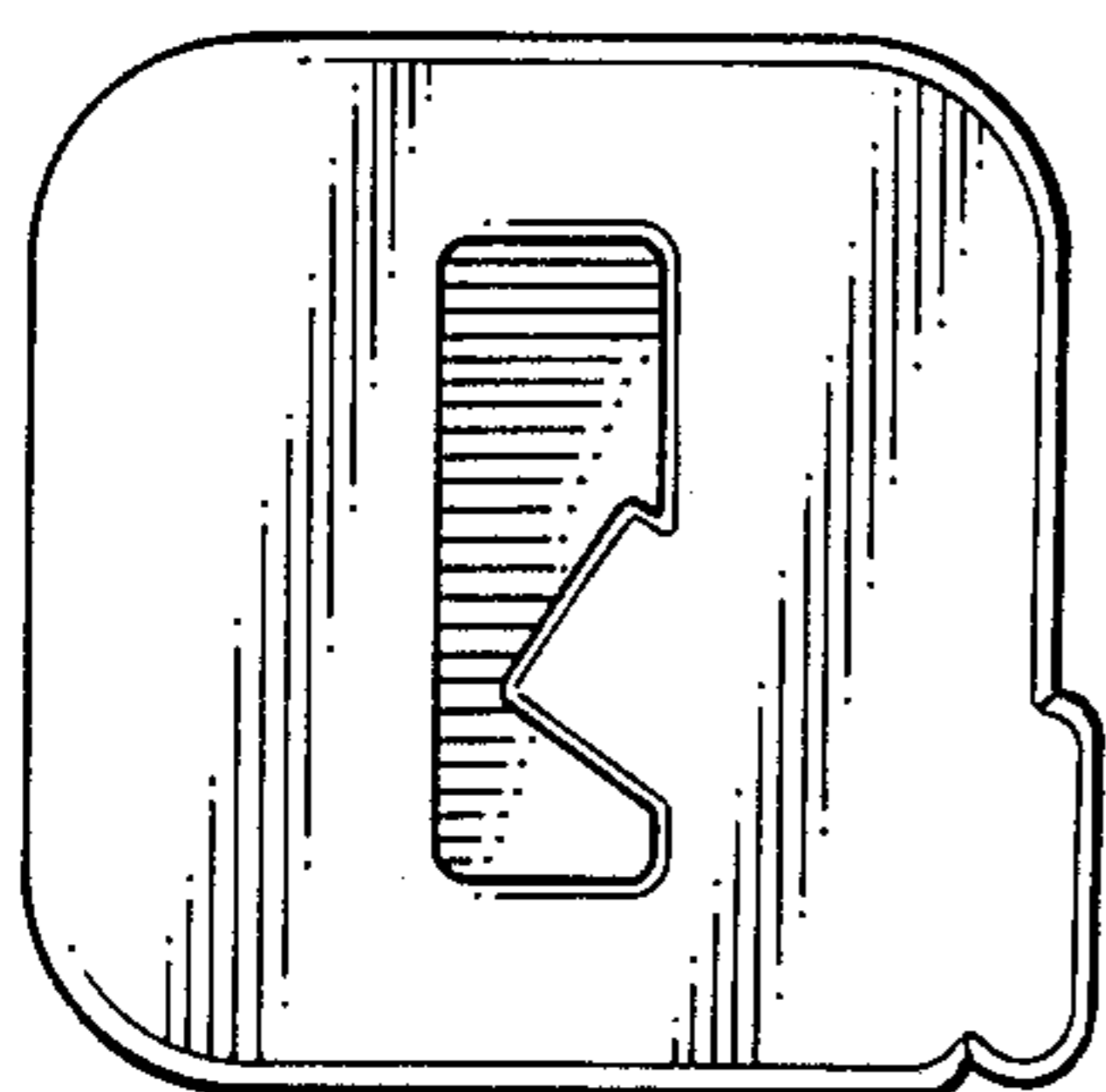


FIG. 2.

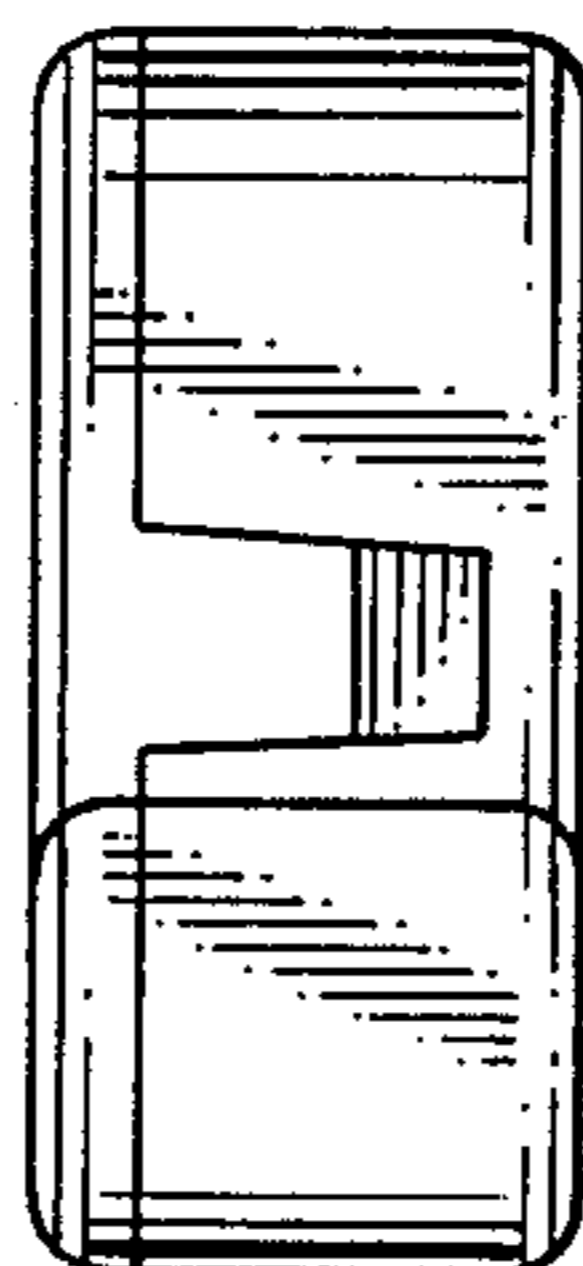


FIG. 3.

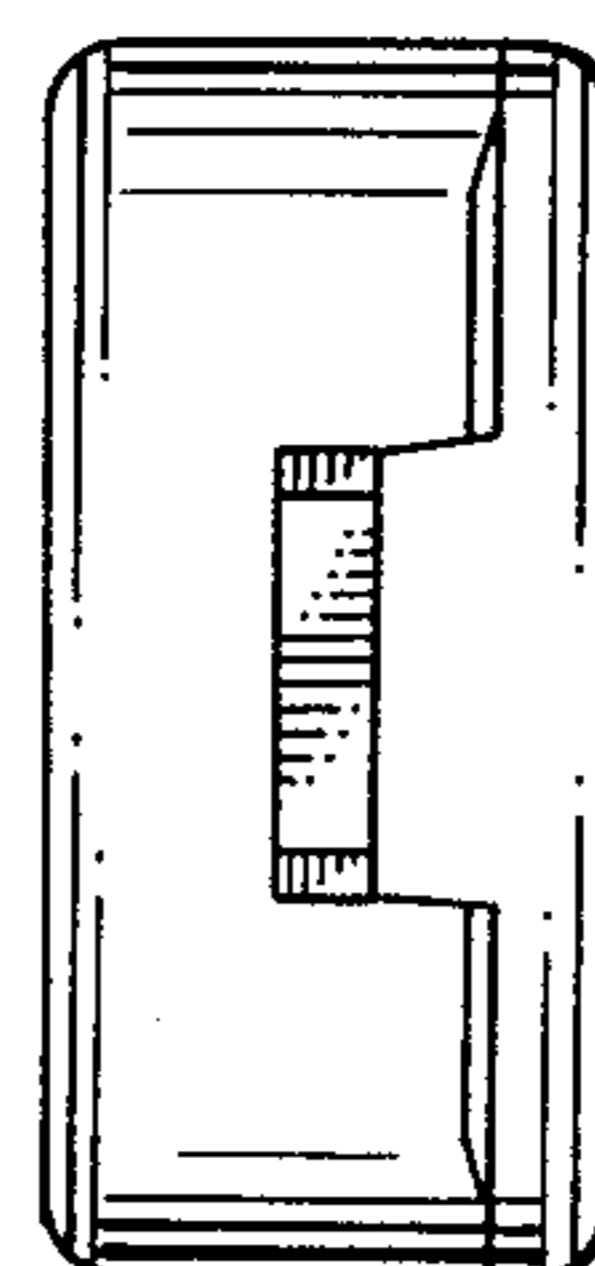


FIG. 4.

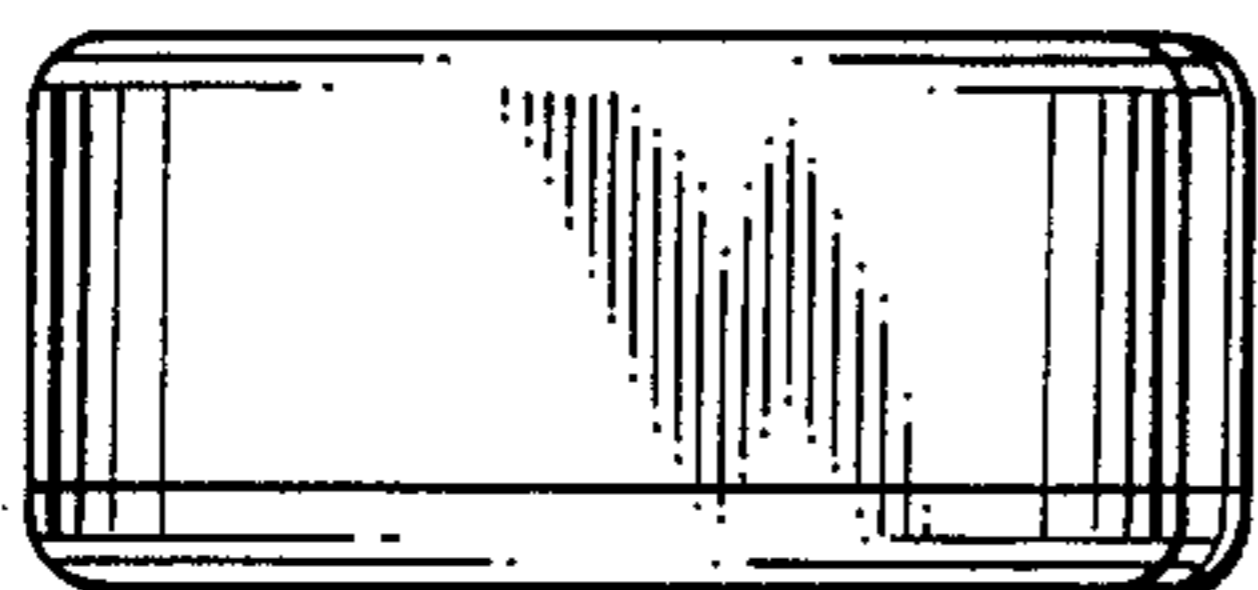


FIG. 5.

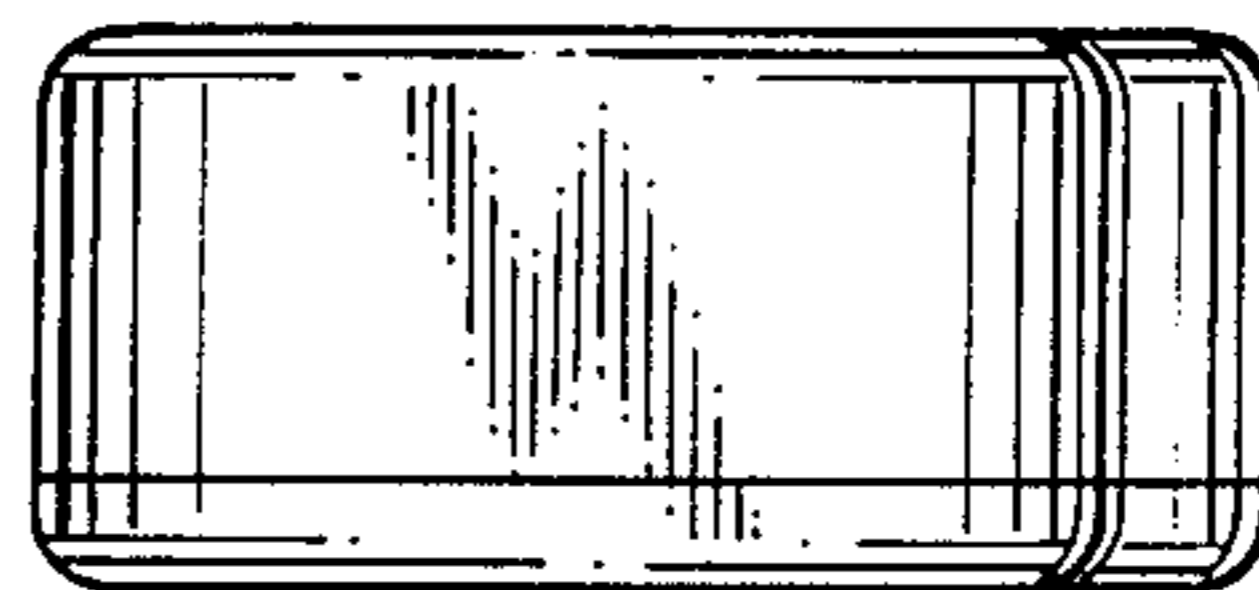


FIG. 6.

