

[54] DISPLAY WALL TILE FOR MAGAZINES OR OTHER REFERENCE MATERIALS

[75] Inventor: Frank A. Friedman, San Francisco, Calif.

[73] Assignee: Herman Miller, Inc., Zeeland, Mich.

[**] Term: 14 Years

[21] Appl. No.: 47,252

[22] Filed: May 6, 1987

[52] U.S. Cl. D20/43

[58] Field of Search D20/43, 42, 44; 362/311, 227, 235, 362, 363, 404, 408, 432, 812, 217, 219, 220, 223, 225; 40/541, 542, 553, 558, 563, 564

[56] References Cited

U.S. PATENT DOCUMENTS

99,822	5/1870	Newhard	D20/42
674,668	5/1901	Bisler	.	
1,724,492	8/1929	Manus	248/460
3,794,284	2/1974	Guenther	248/441.1
4,031,675	6/1977	Roberts et al.	52/36
4,033,652	7/1977	O'Brien	312/245
4,043,086	8/1977	Kaulfuss et al.	52/71
4,118,906	10/1978	Coulthard	52/36
4,163,497	8/1979	McEwen	211/11
4,296,579	10/1981	Proud	52/239
4,372,086	2/1983	Hanlon	52/36
4,544,123	10/1985	Peacock	248/460

4,569,498	2/1986	Ermanski	248/441.1
4,571,906	2/1986	Ashton	52/239

Primary Examiner—Wallace R. Burke
 Assistant Examiner—Marcus Jackson
 Attorney, Agent, or Firm—Varnum, Riddering, Schmidt & Howlett

[57] CLAIM

The ornamental design for a display wall tile for magazines or other reference materials, as shown and described.

DESCRIPTION

FIG. 1 is a perspective view of a display wall tile for magazines or other reference materials showing my new design with the broken lines of the wall being for illustrative purposes only and forming no part of the claimed design.

FIG. 2 is a front elevational view thereof;

FIG. 3 is a back elevational view thereof;

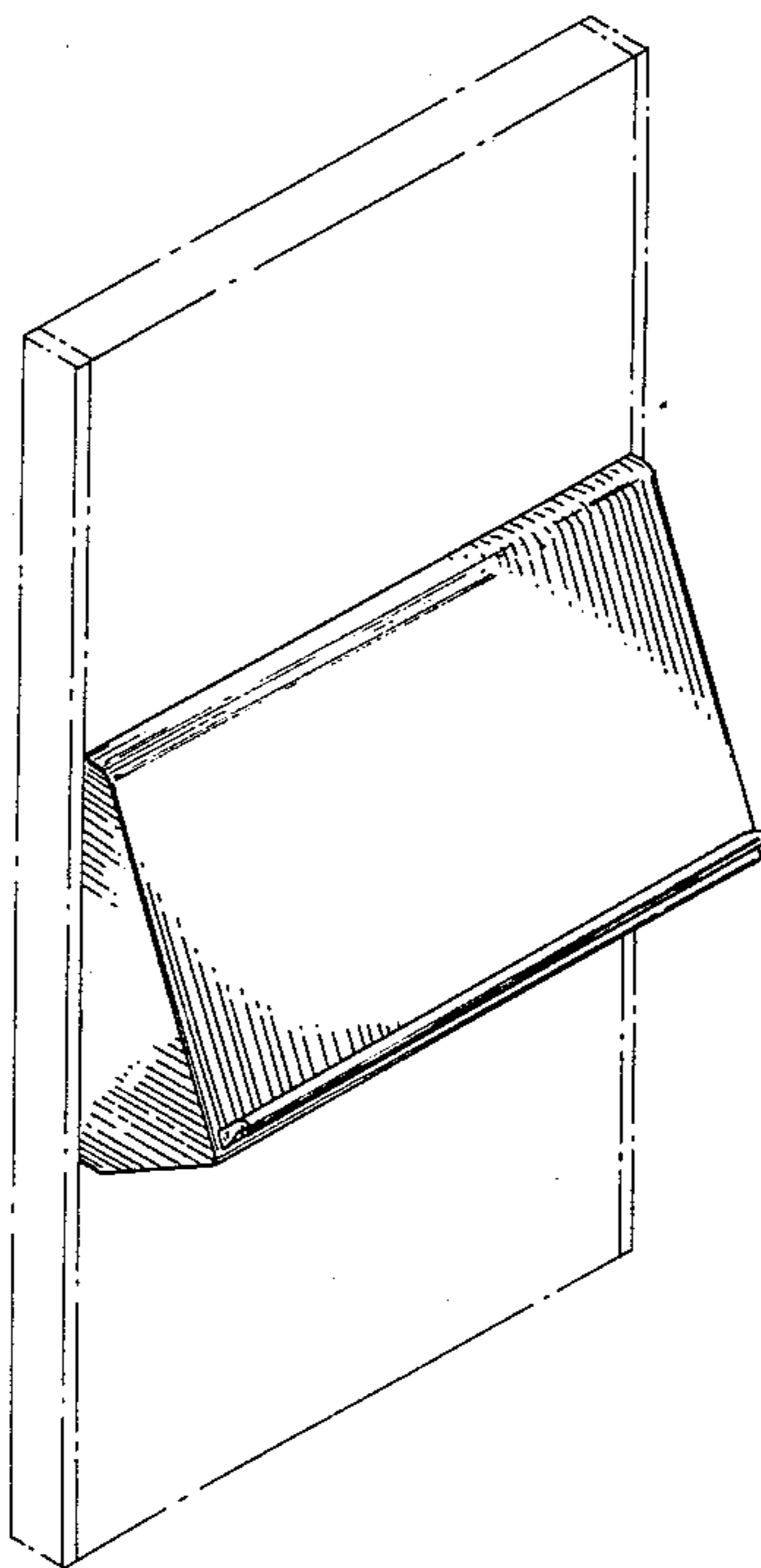
FIG. 4 is a right-side elevational view thereof, with the left-side elevational view being a mirror image thereof;

FIG. 5 is a top plan view thereof;

FIG. 6 is a bottom plan view thereof;

FIG. 7 is a front perspective view of a second embodiment thereof, with the front wall in closed position and it being understood that the undisclosed rear, side and bottom are identical to that shown in FIGS. 3, 4 and 6.

FIG. 8 is a front perspective view thereof, with the front wall shown in a partially raised open position.



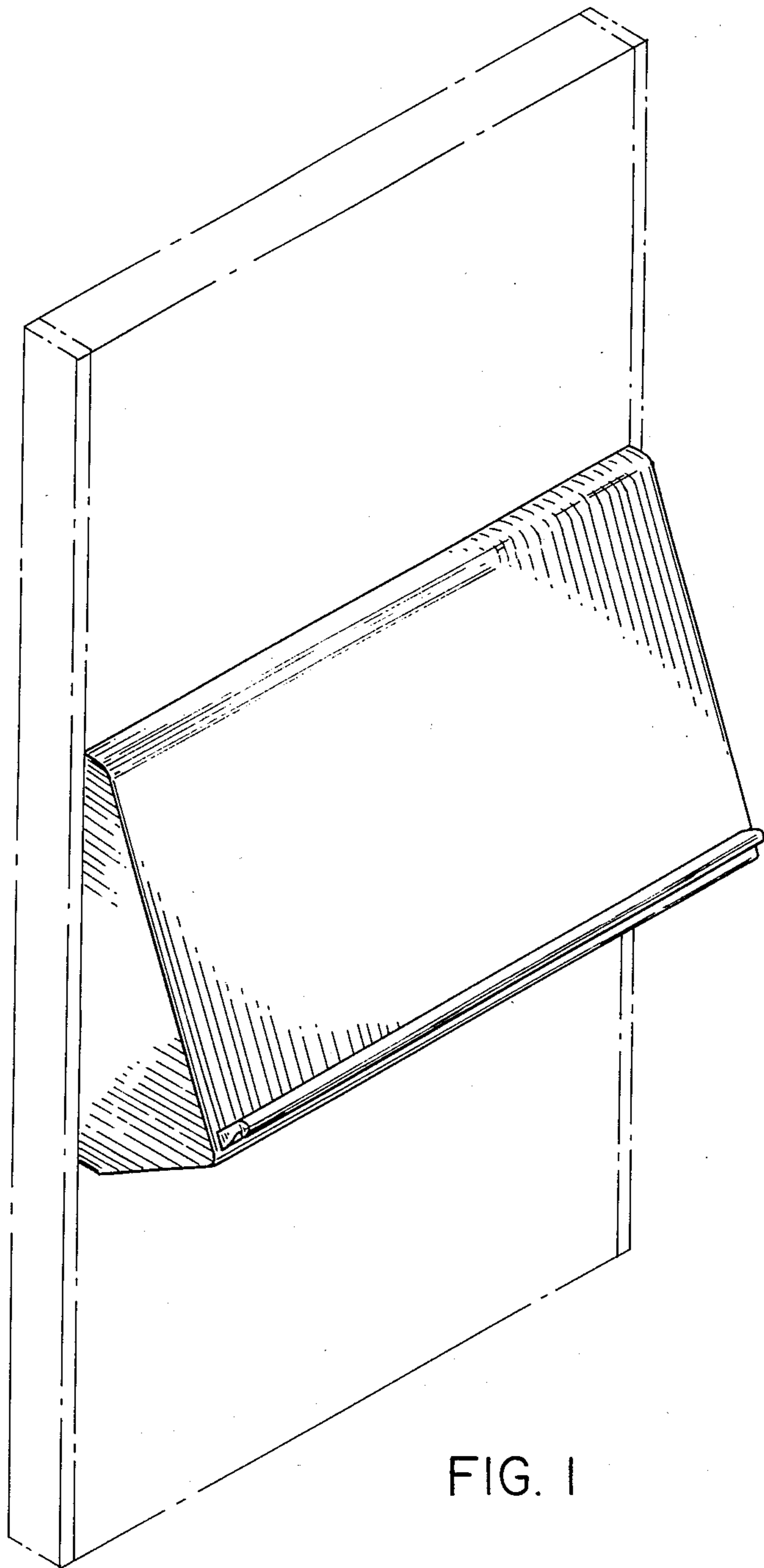


FIG. 1

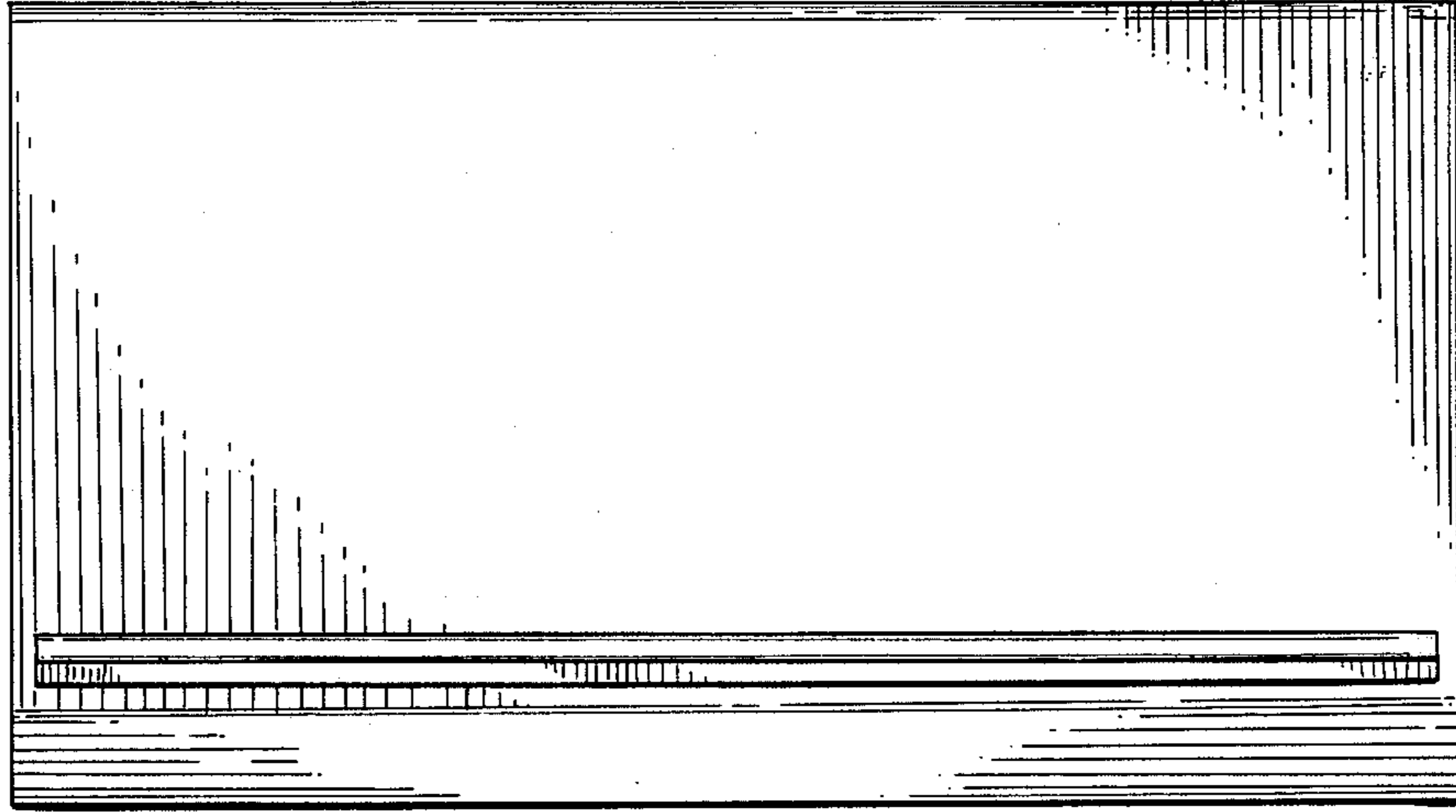


FIG. 2

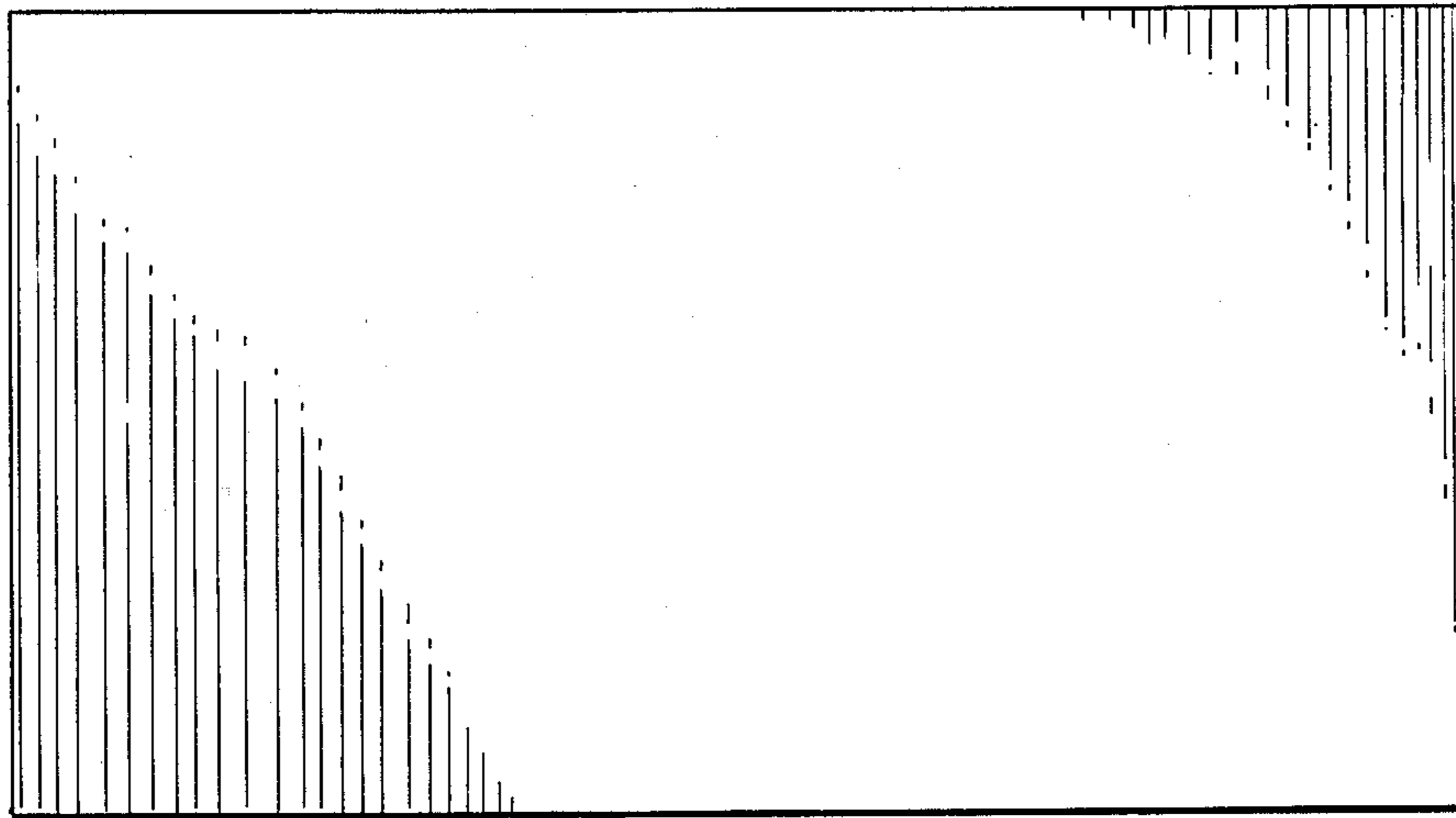


FIG. 3

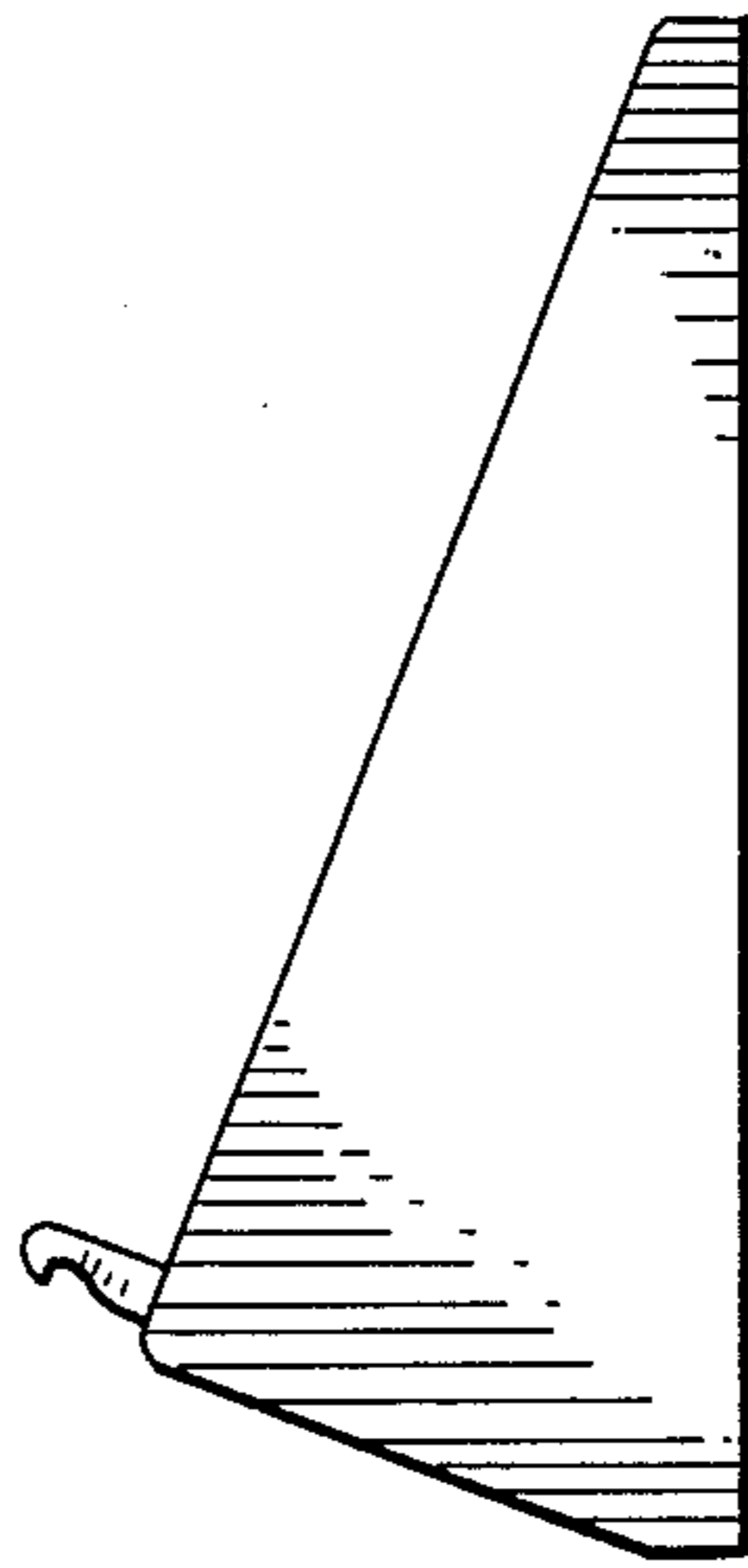


FIG. 4

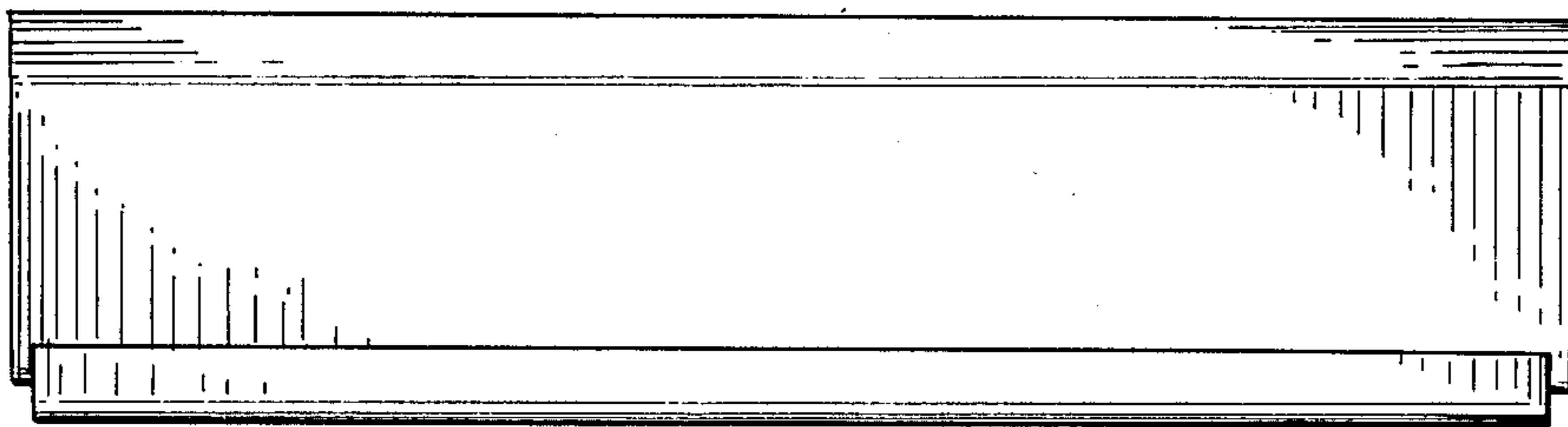


FIG. 5

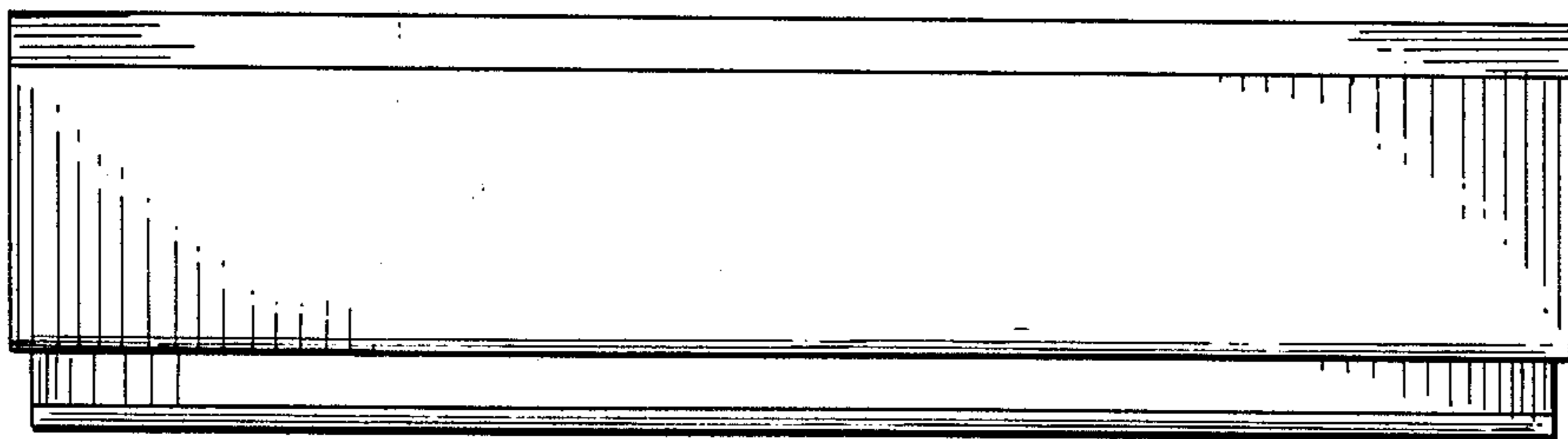


FIG. 6

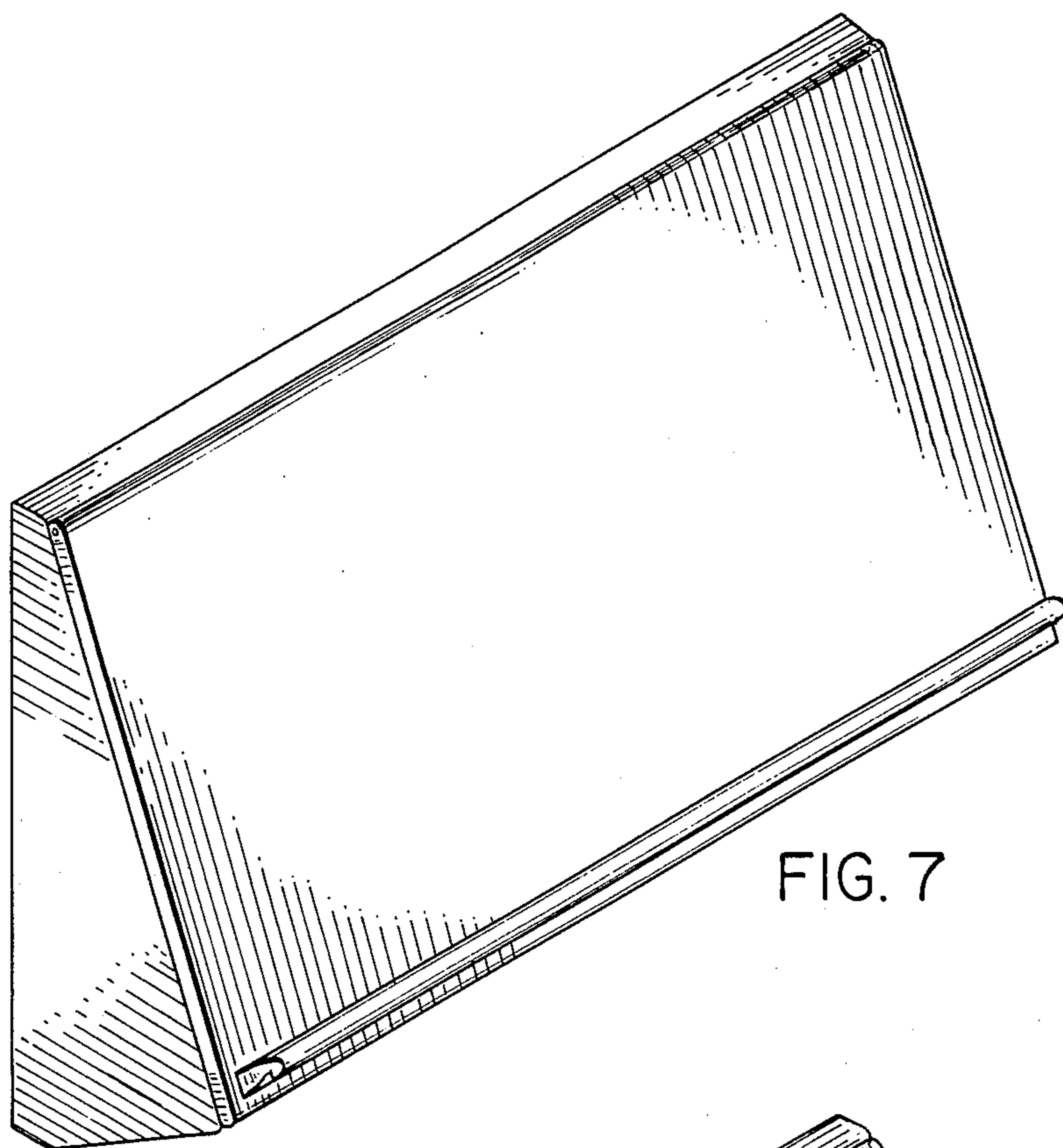


FIG. 7

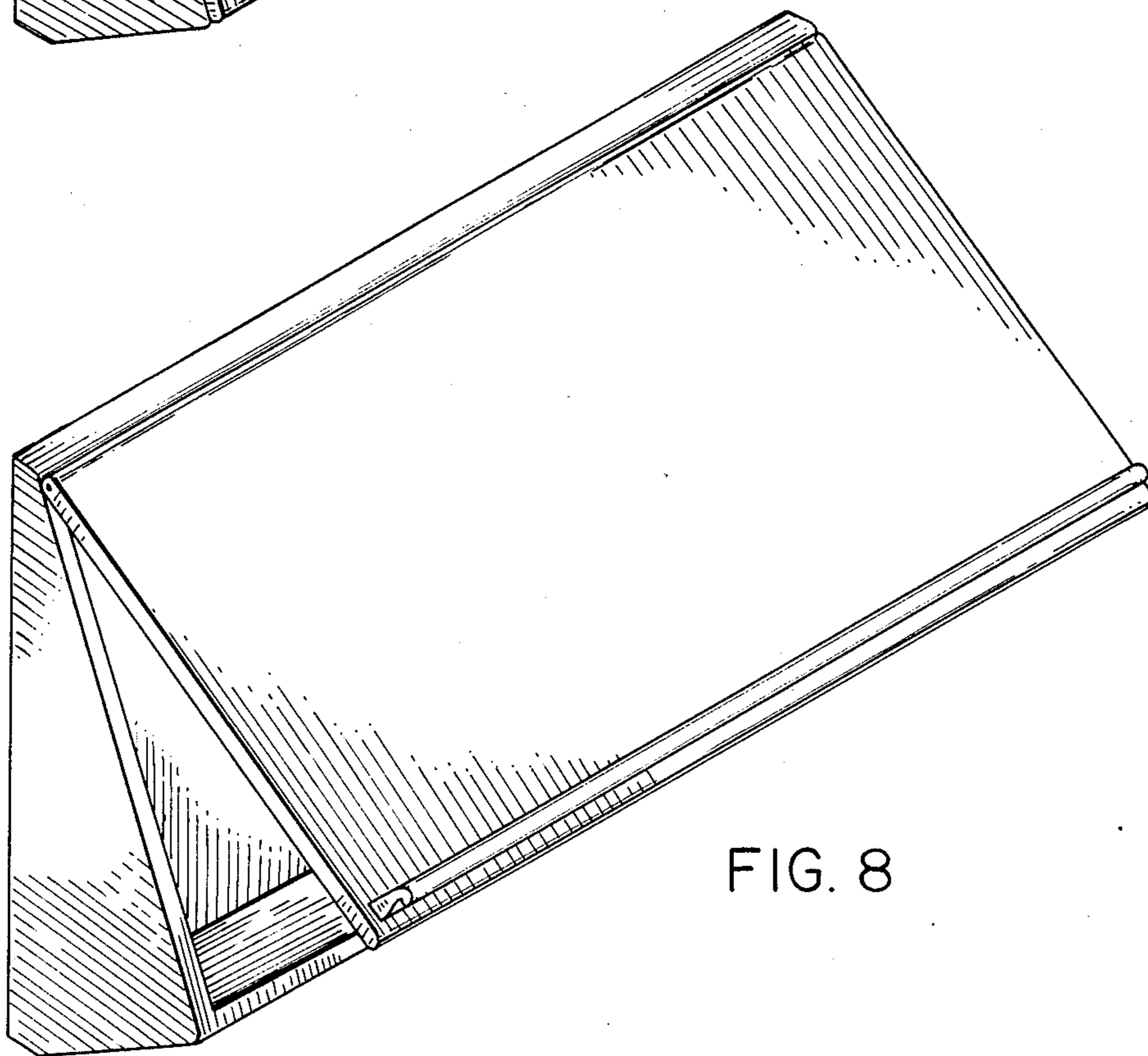


FIG. 8