

[54] COMBINED CALCULATOR AND CRADLE THEREFOR

[75] Inventors: Takahisa Yubisui; Hiroshi Sakaguchi; Masaki Kawamura, all of Osaka, Japan

[73] Assignee: Sharp Corporation, Osaka, Japan

[**] Term: 14 Years

[21] Appl. No.: 899,502

[22] Filed: Aug. 22, 1986

[30] Foreign Application Priority Data

Feb. 25, 1986 [JP] Japan 61-6905

[52] U.S. Cl. D18/7

[58] Field of Search D18/2, 6, 7, 11, 12; D10/2, 15, 30; D14/100, 106, 107, 141, 142, 146-149; 200/5 A; 235/61 R; 340/365, 700; 364/706-710

[56] References Cited

U.S. PATENT DOCUMENTS

D. 229,065 11/1973 Maeda D18/7
D. 236,485 8/1975 Mox D18/7

D. 266,855 11/1982 Yoshioka D18/7
D. 284,368 6/1986 Stansbury D14/141
3,515,816 4/1968 Laing D14/142
4,157,588 6/1979 Ebihara 364/707

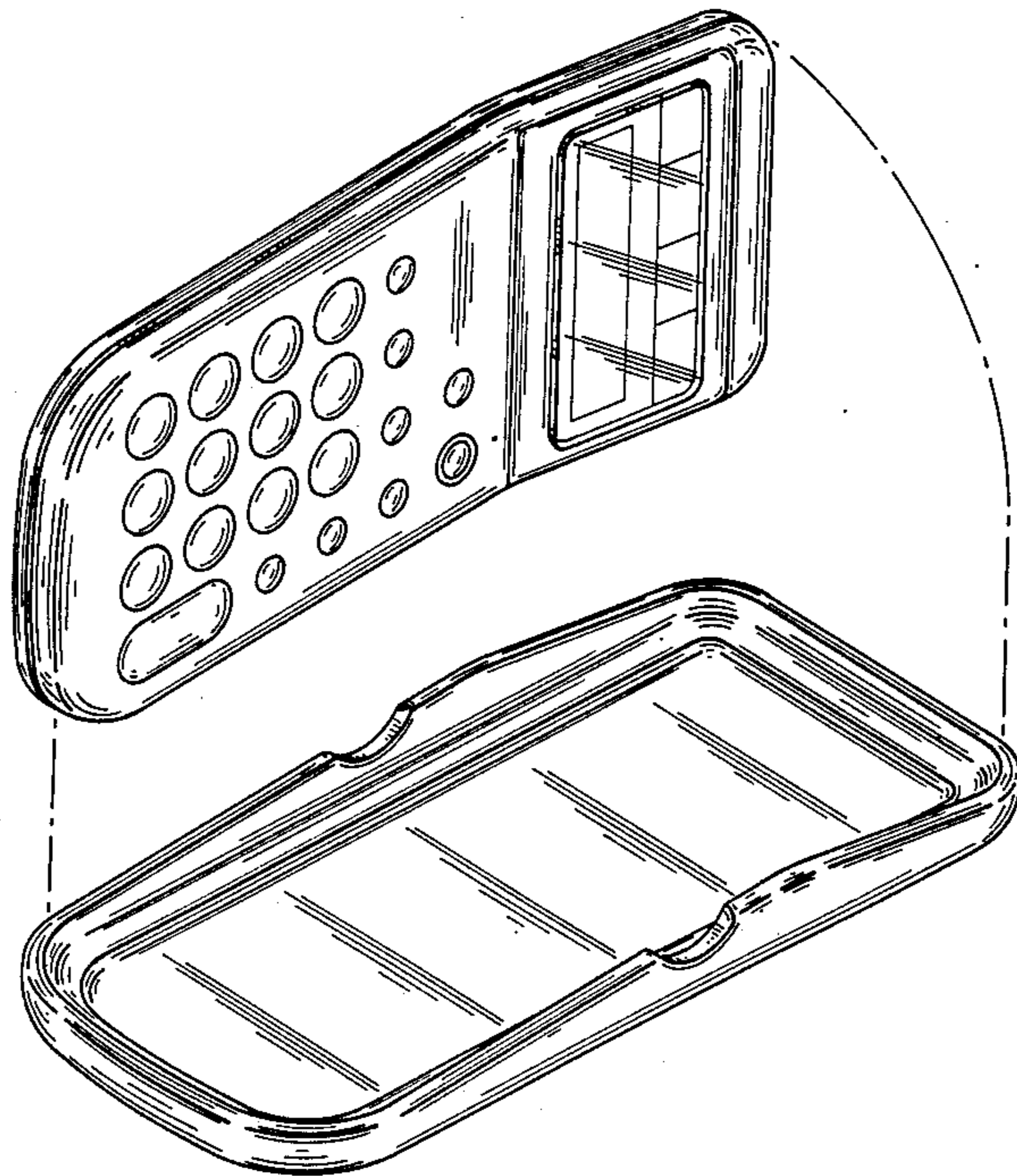
Primary Examiner—Nelson C. Holtje
Assistant Examiner—Caron D. Veynar
Attorney, Agent, or Firm—Flehr, Hohbach, Test, Albritton & Herbert

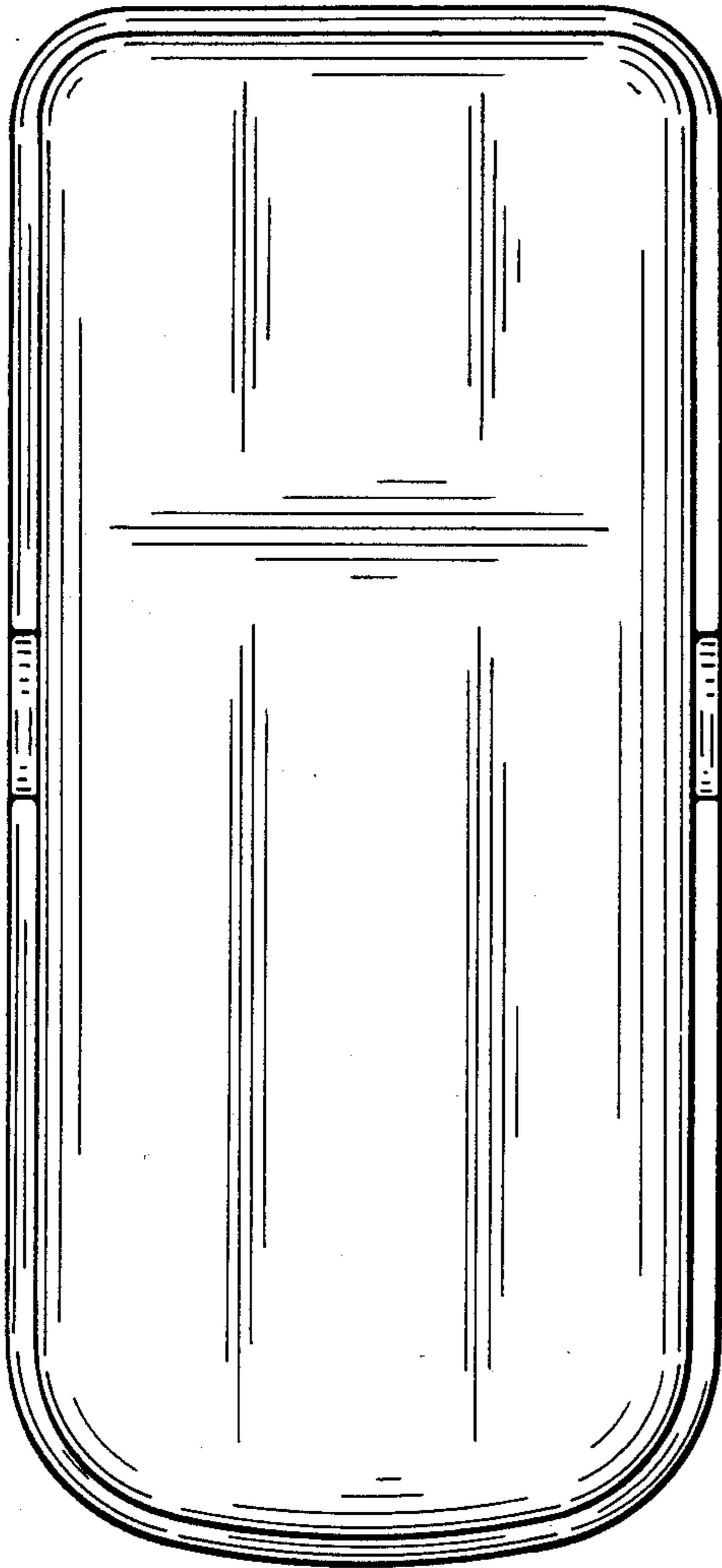
[57] CLAIM

The ornamental design for combined calculator and cradle therefor, as shown and described.

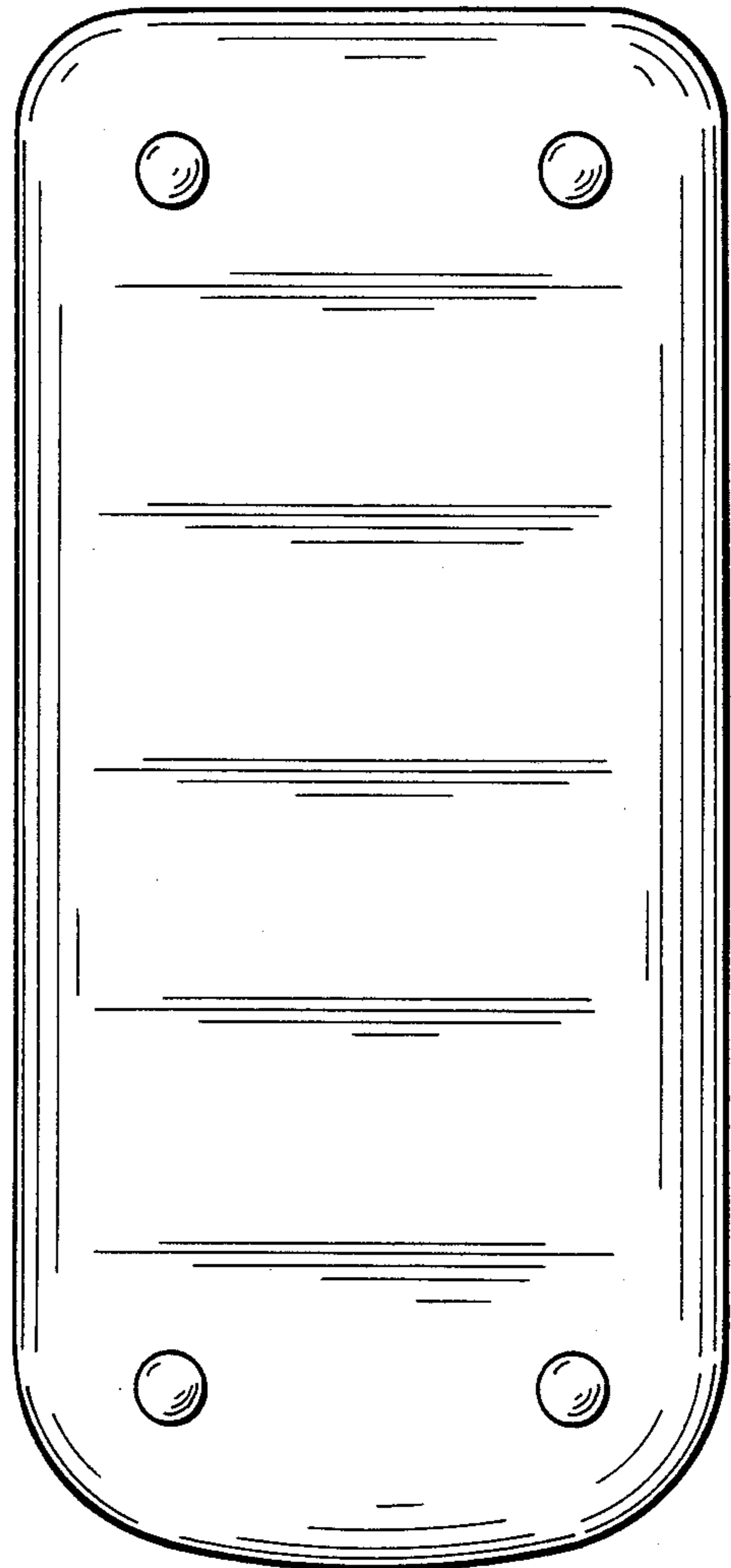
DESCRIPTION

FIG. 1 is a top view of a combined calculator and cradle therefor showing our new design;
FIG. 2 is a bottom plan view thereof;
FIG. 3 is a top plan view of the calculator portion thereof;
FIG. 4 is a bottom plan view thereof;
FIG. 5 is a front elevational view of the combined calculator and cradle therefor;
FIG. 6 is a rear elevational view thereof;
FIG. 7 is a right side elevational view, the left side elevational view being a mirror image thereof;
FIG. 8 is a exploded perspective view thereof.

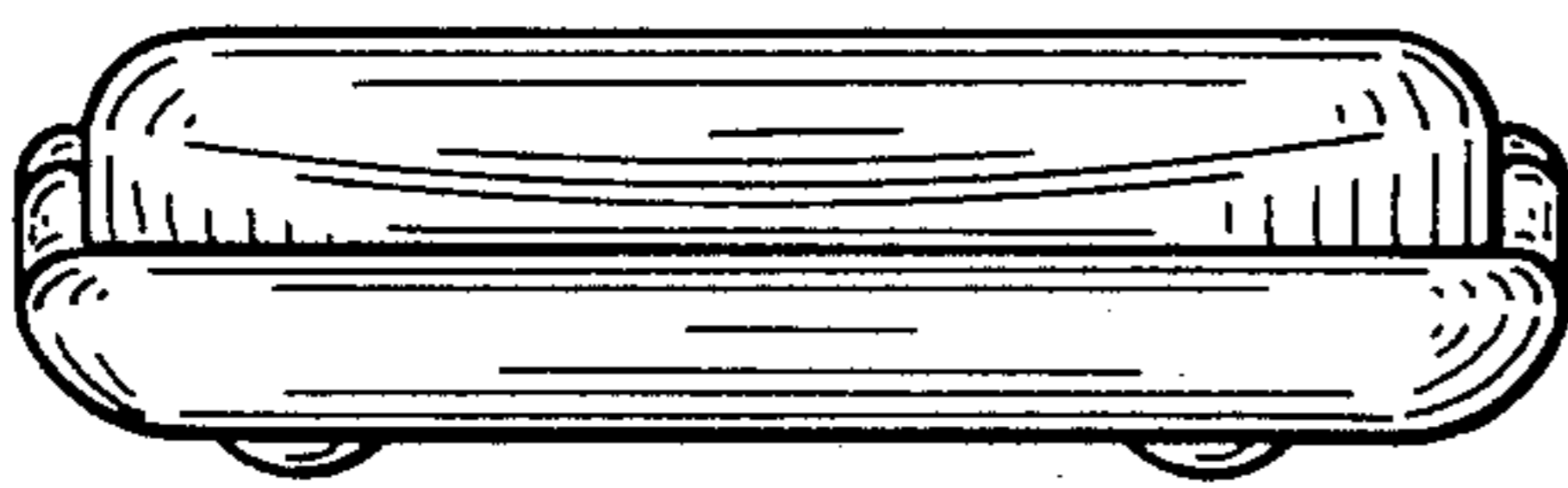




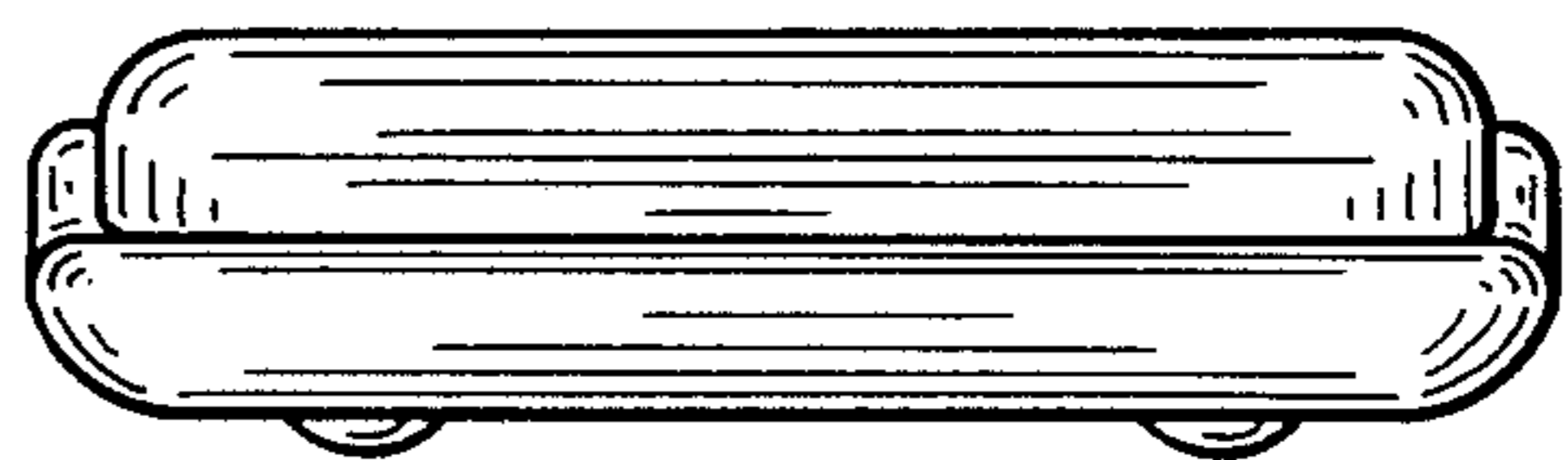
FIG_1



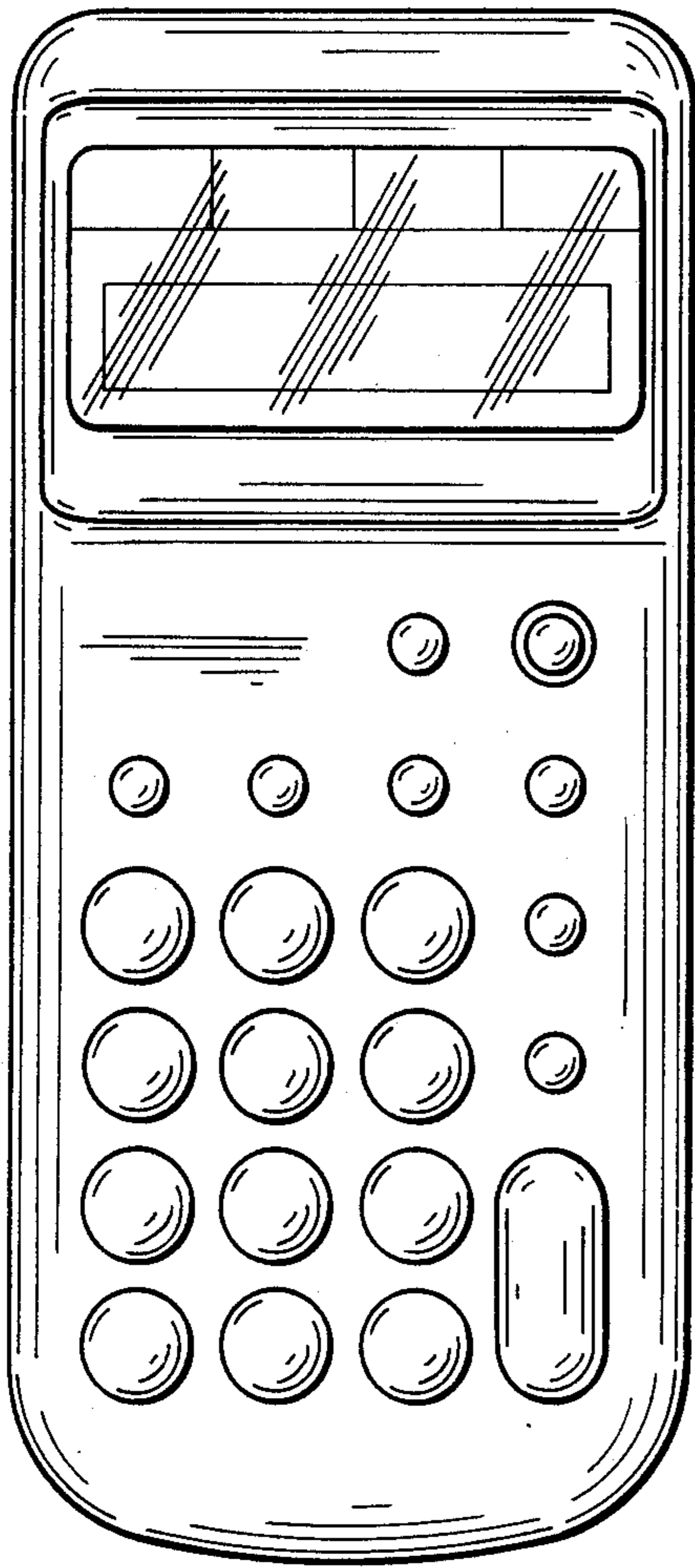
FIG_2



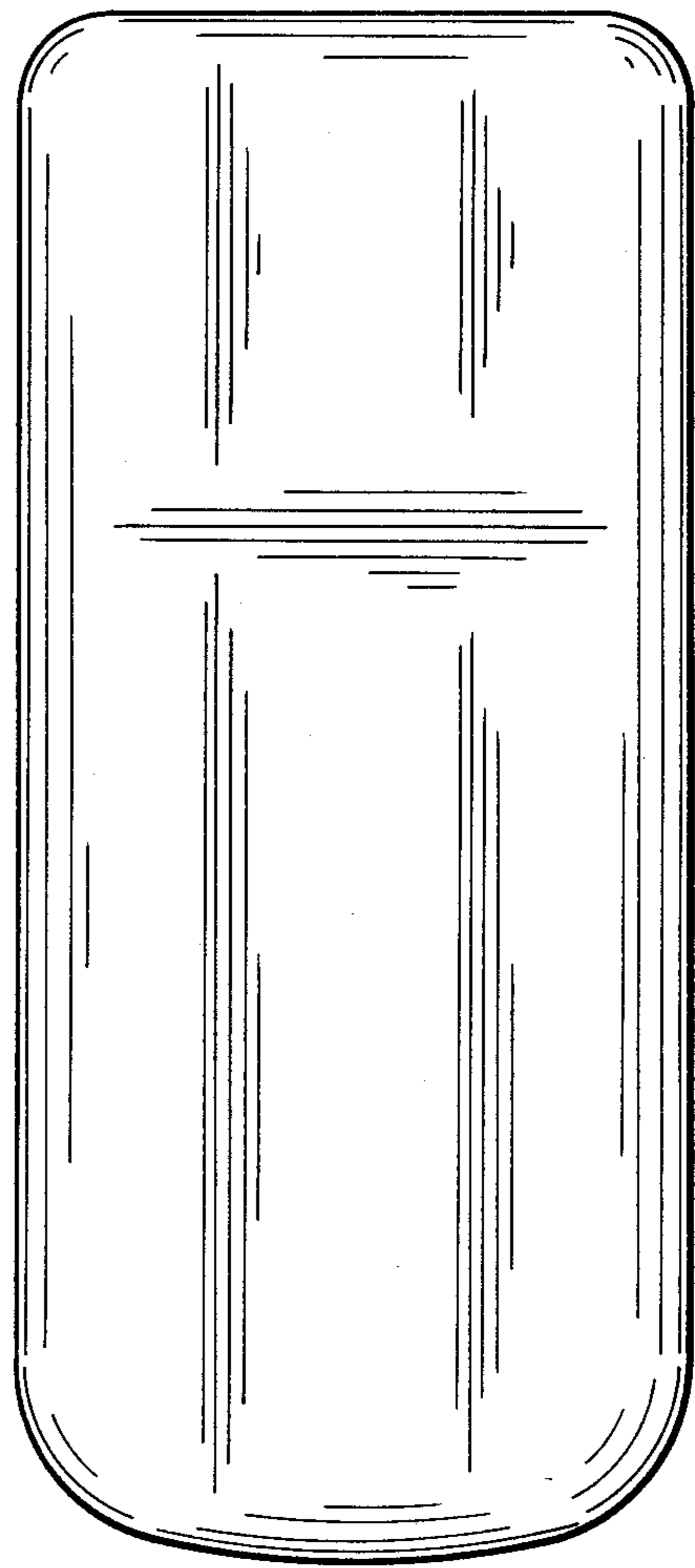
FIG_5



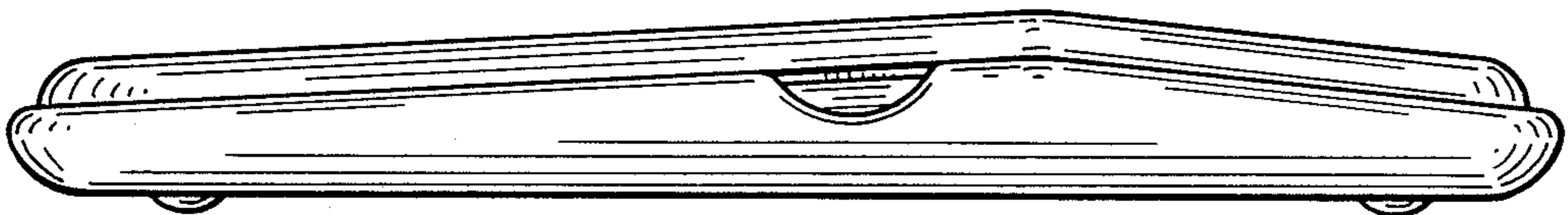
FIG_6



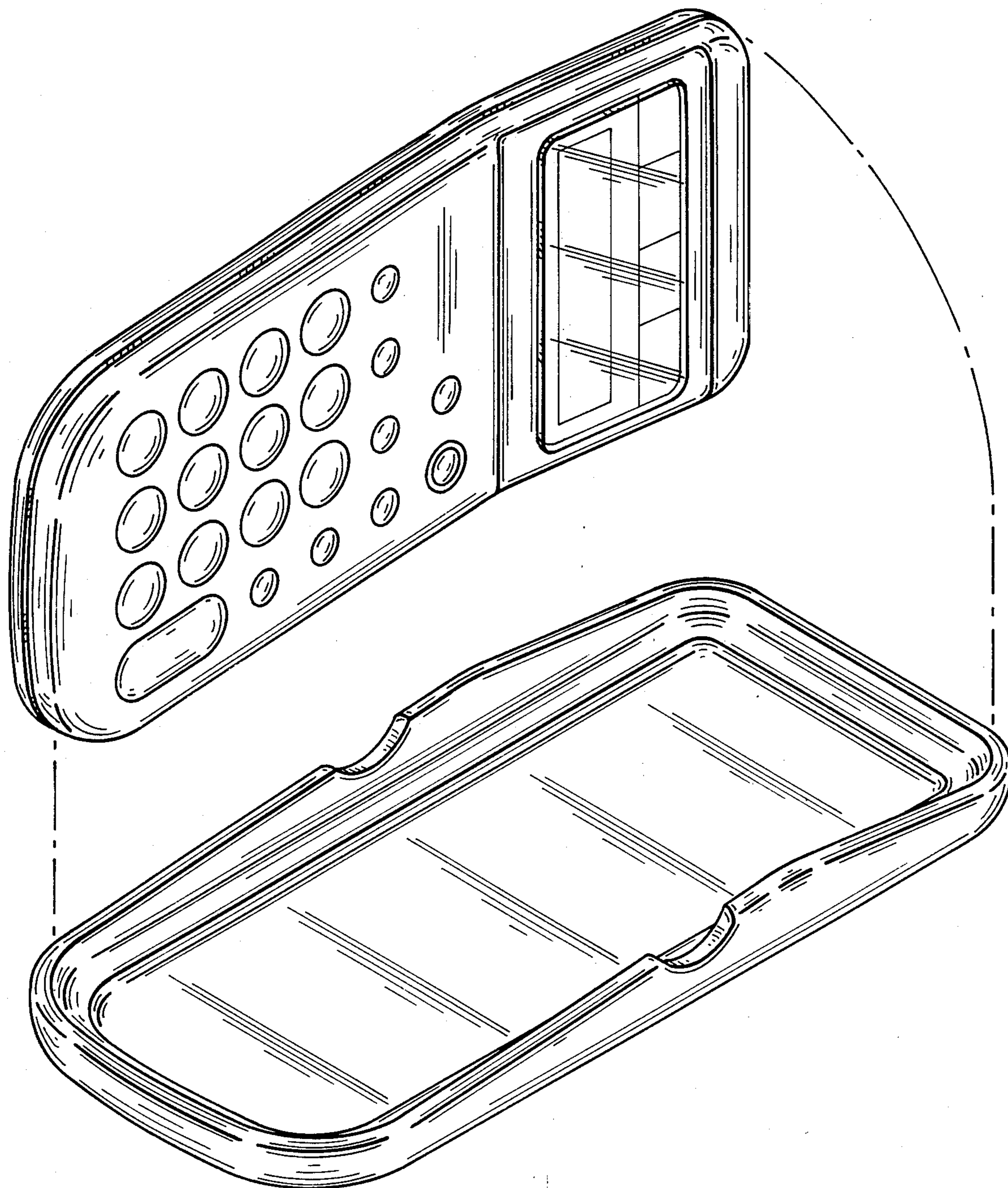
FIG_3



FIG_4



FIG_7



FIG_8