

[54] **PLANING MACHINE**  
[75] **Inventor: Peter Kronthaler, Gries, Austria**  
[73] **Assignee: Maier & Co., Fabrik fuer  
Spezialmaschinen, Hallein, Austria**  
[\*\*] **Term: 14 Years**  
[21] **Appl. No.: 186,201**  
[22] **Filed: Apr. 26, 1988**  
[52] **U.S. Cl. .... D15/127**  
[58] **Field of Search ..... 144/117 R, 114 R;  
D15/127**

D. 299,146 12/1988 Pollak et al. .... D15/127  
D. 300,933 5/1989 Gemmani ..... D15/127  
2,792,036 5/1957 Buttke ..... 144/114 R

*Primary Examiner*—James R. Largen  
*Assistant Examiner*—Jeffrey Asch

[57] **CLAIM**

The ornamental design for a planing machine, as shown.

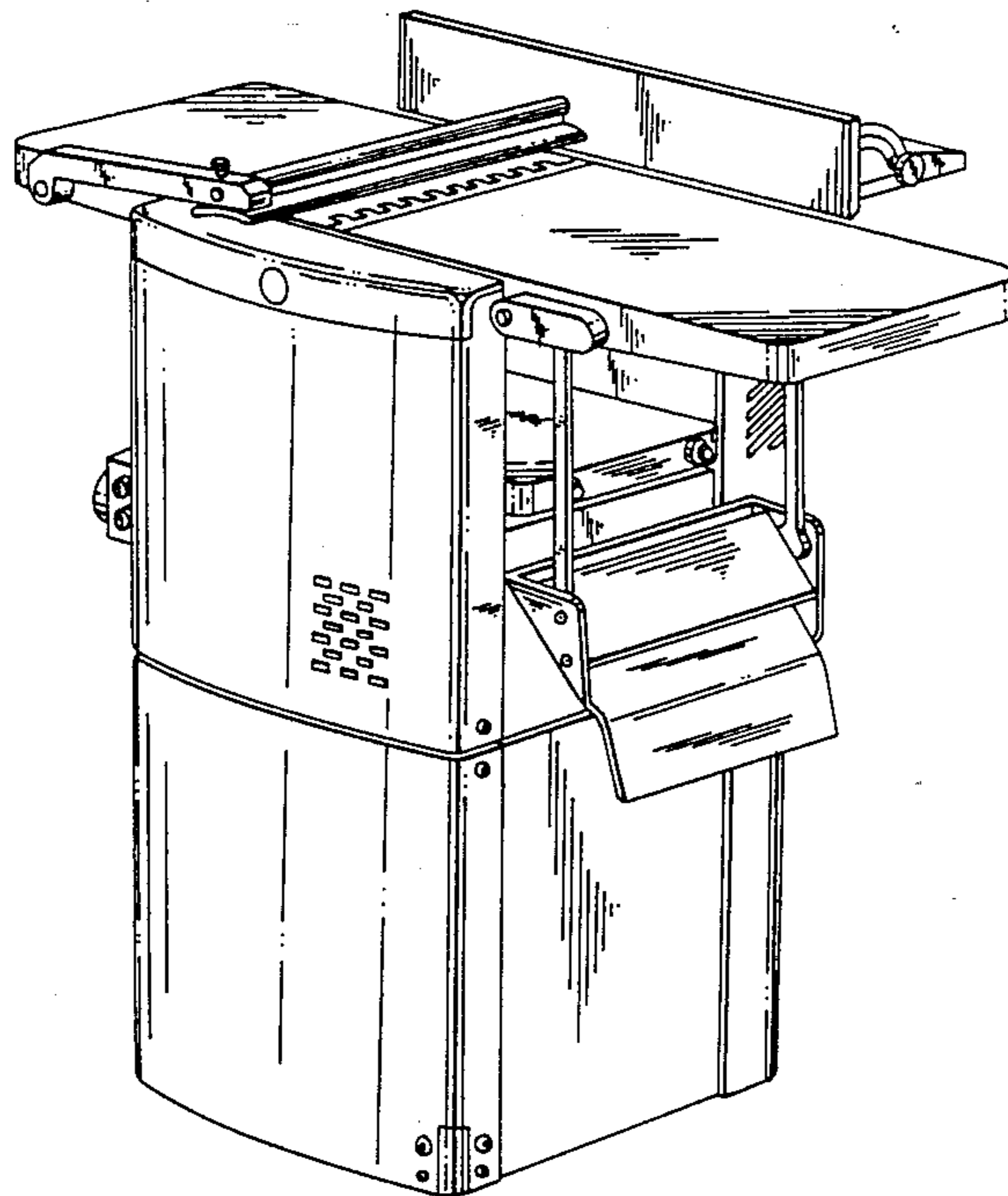
**DESCRIPTION**

FIG. 1 is a front, top and right side perspective view of a planing machine showing my new design;  
FIG. 2 is a rear, top and left side perspective view;  
FIG. 3 is a front elevational view;  
FIG. 4 is a top plan view;  
FIG. 5 is a left side elevational view;  
FIG. 6 is a right side elevational view; and,  
FIG. 7 is a rear elevational view thereof.

[56] **References Cited**

**U.S. PATENT DOCUMENTS**

D. 284,286 6/1986 Pioch et al. .... D15/127



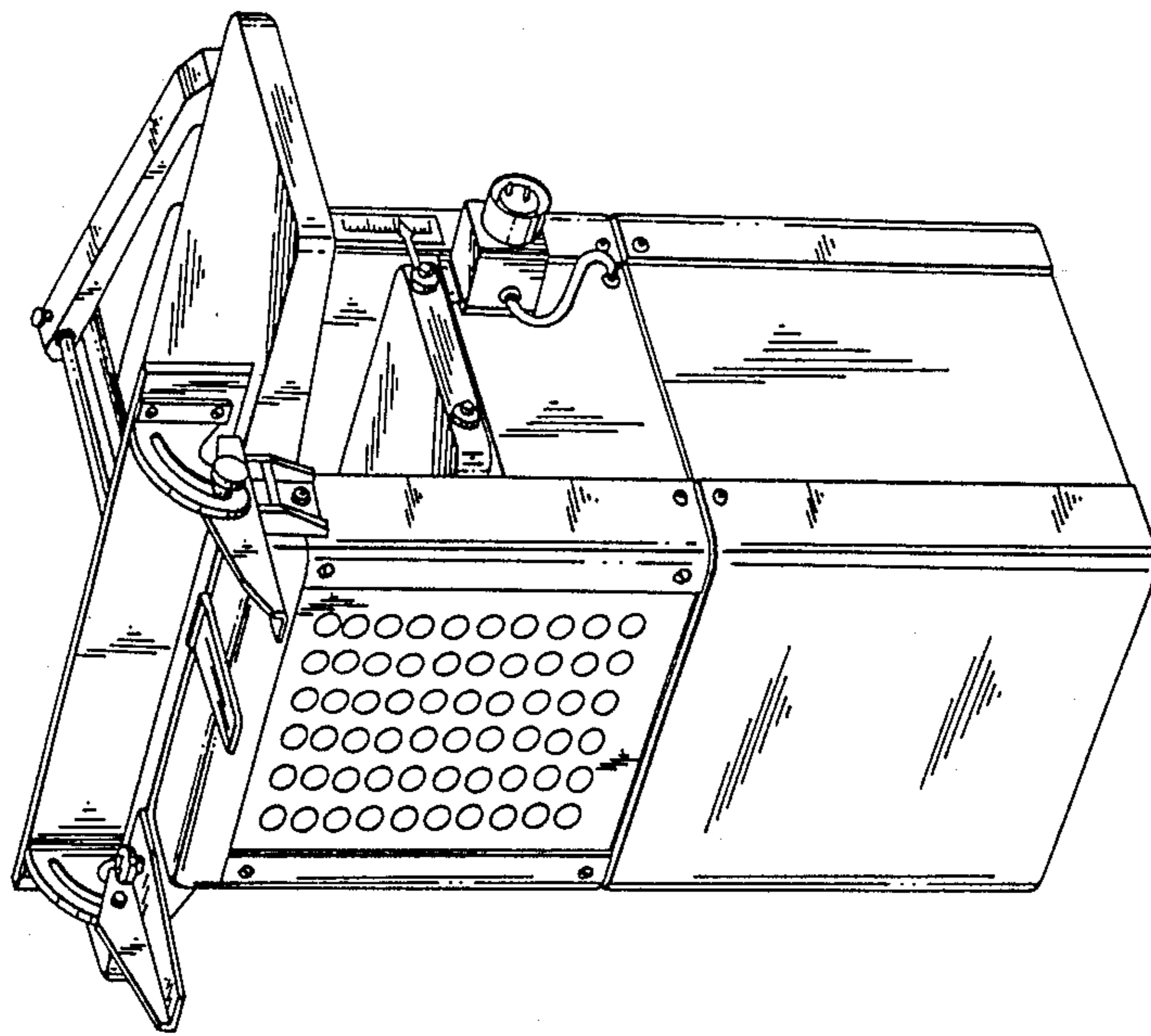


FIG. 2

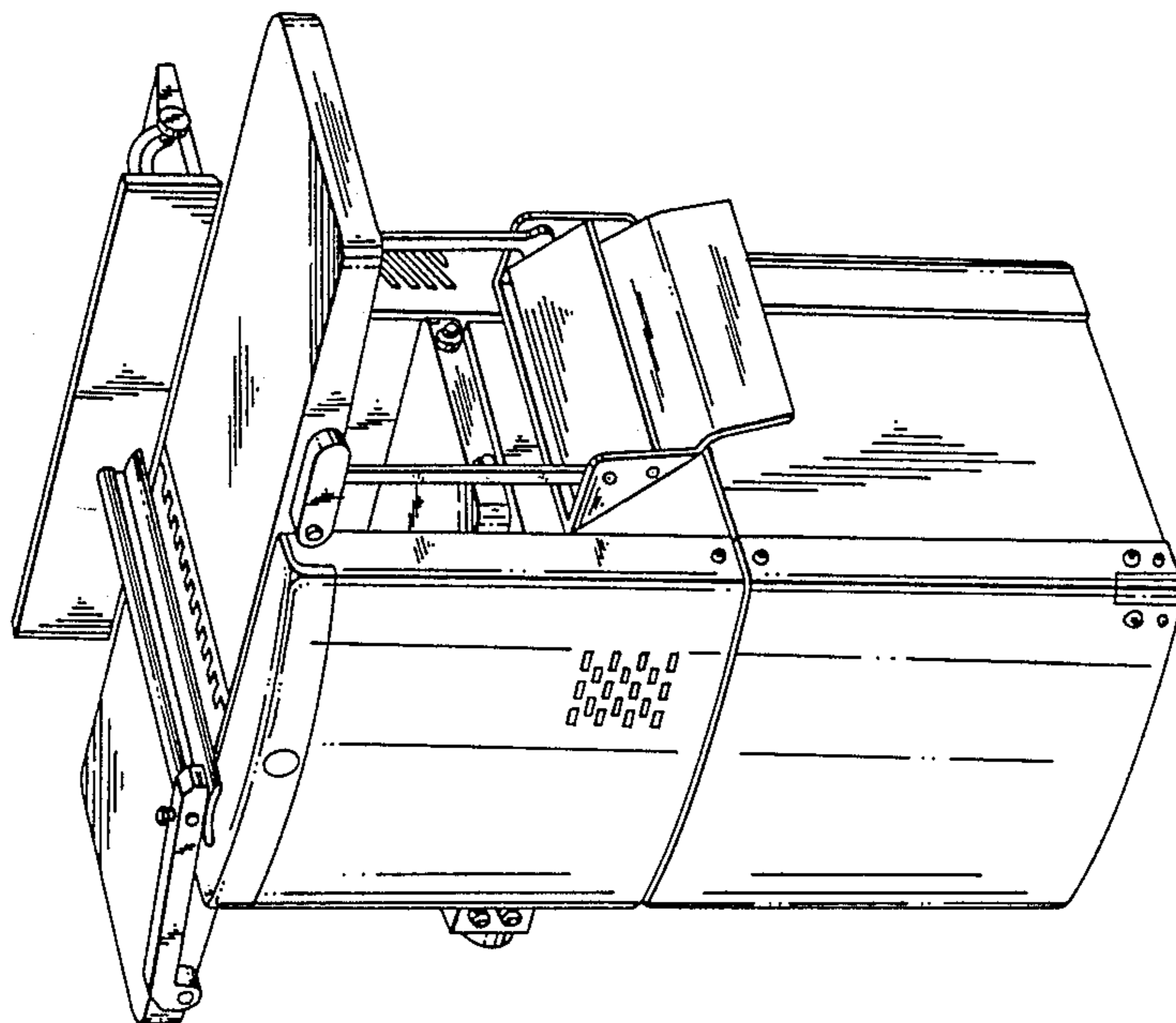


FIG. 1

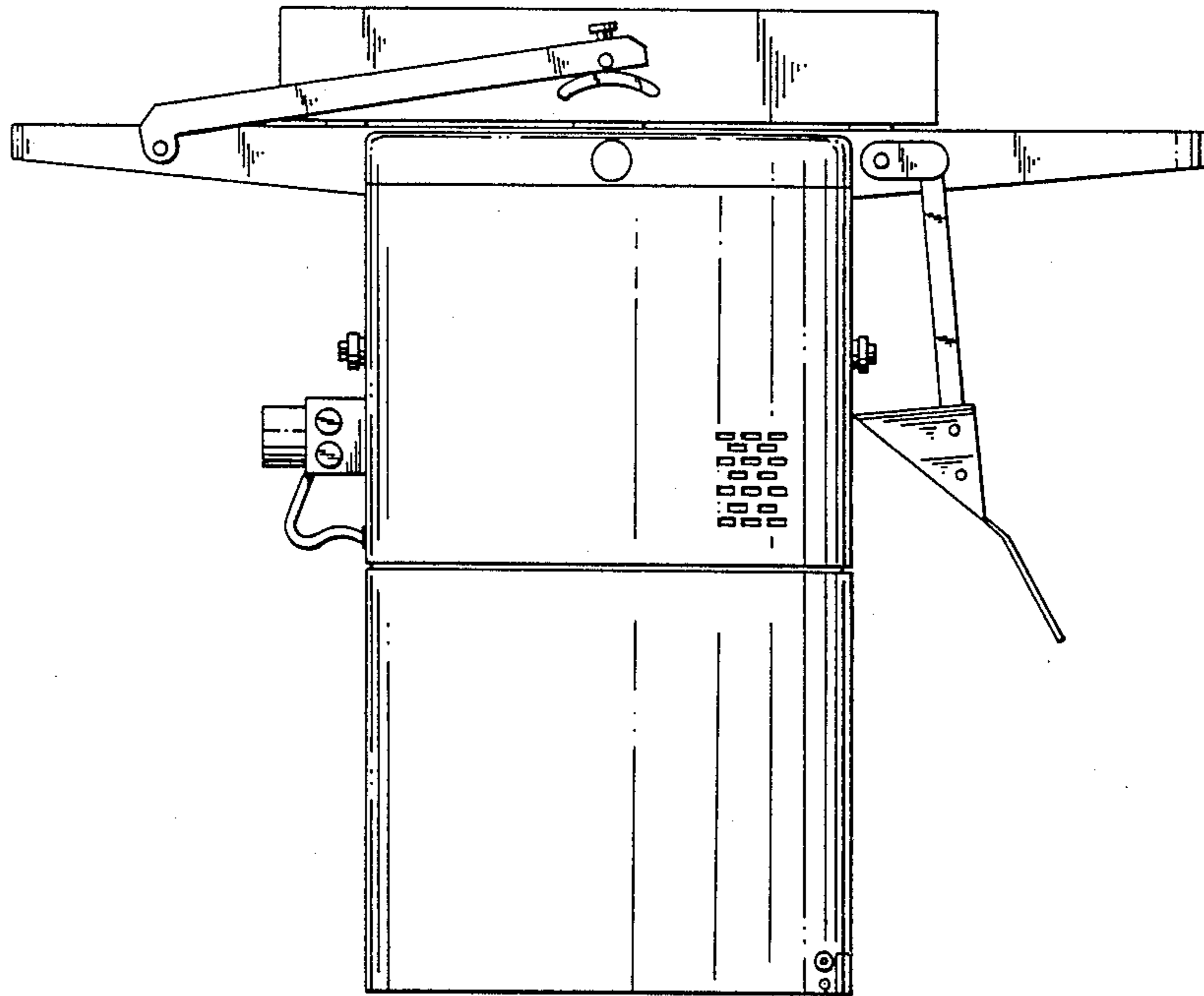


FIG. 3

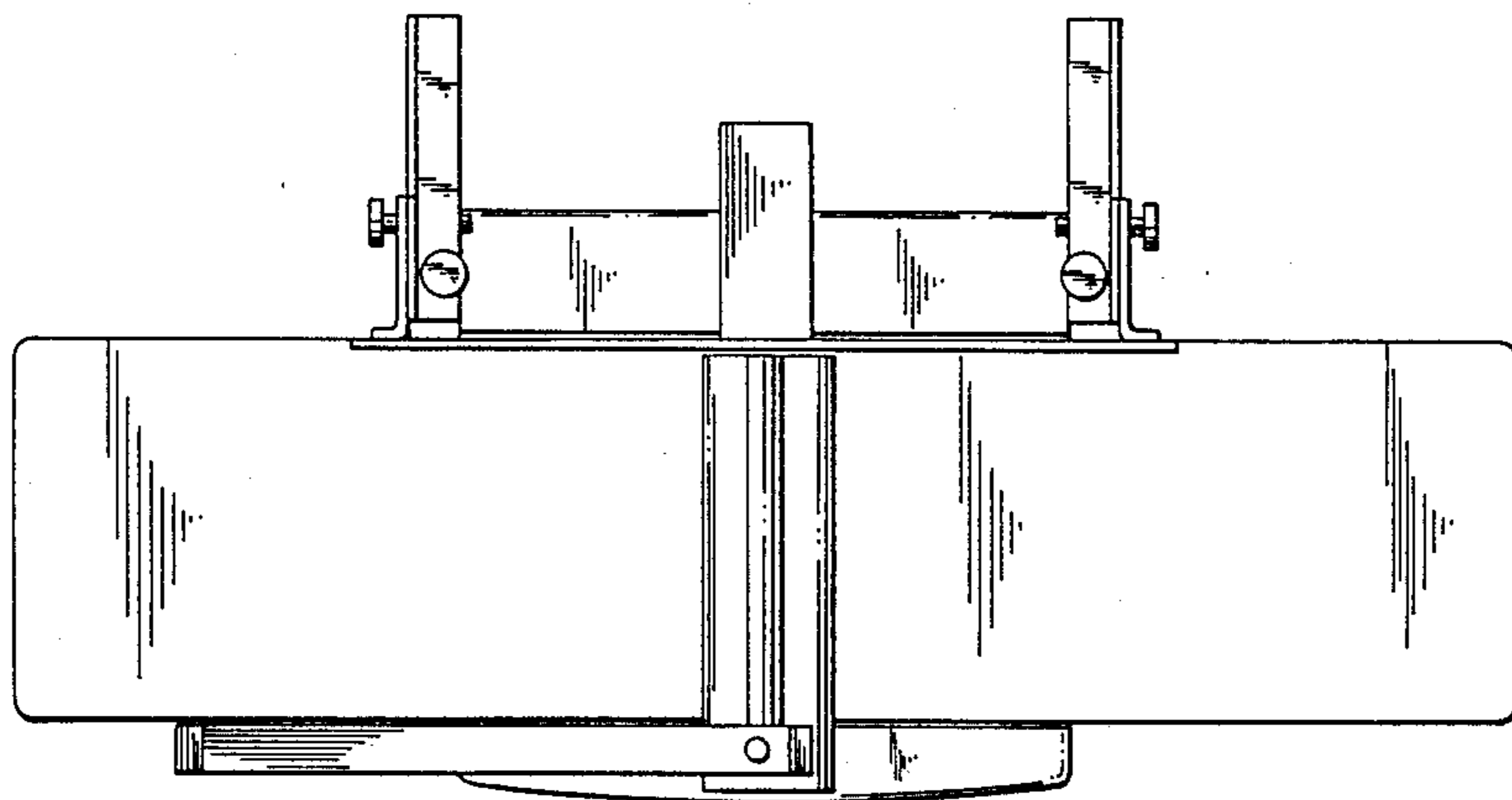


FIG. 4

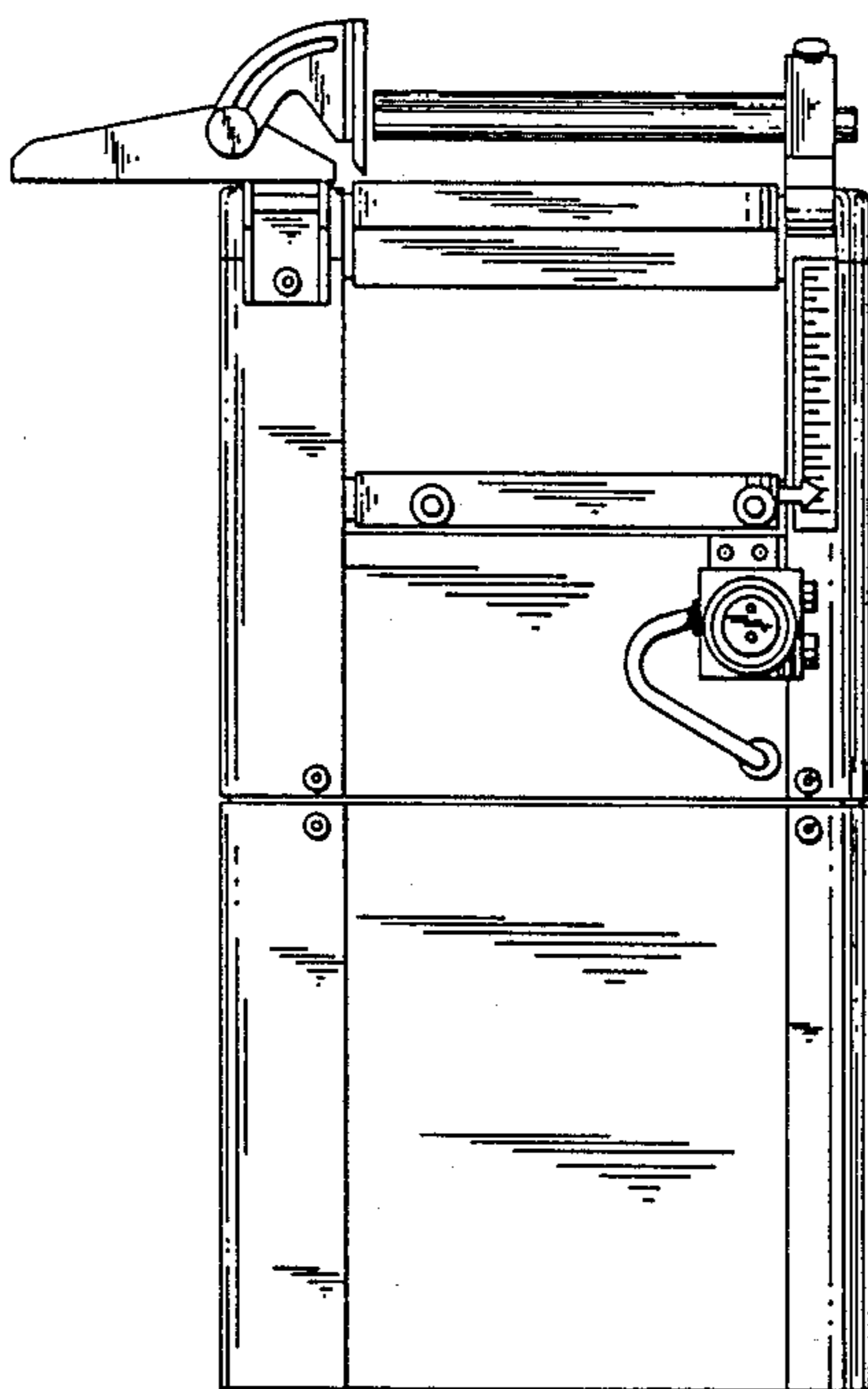


FIG. 5

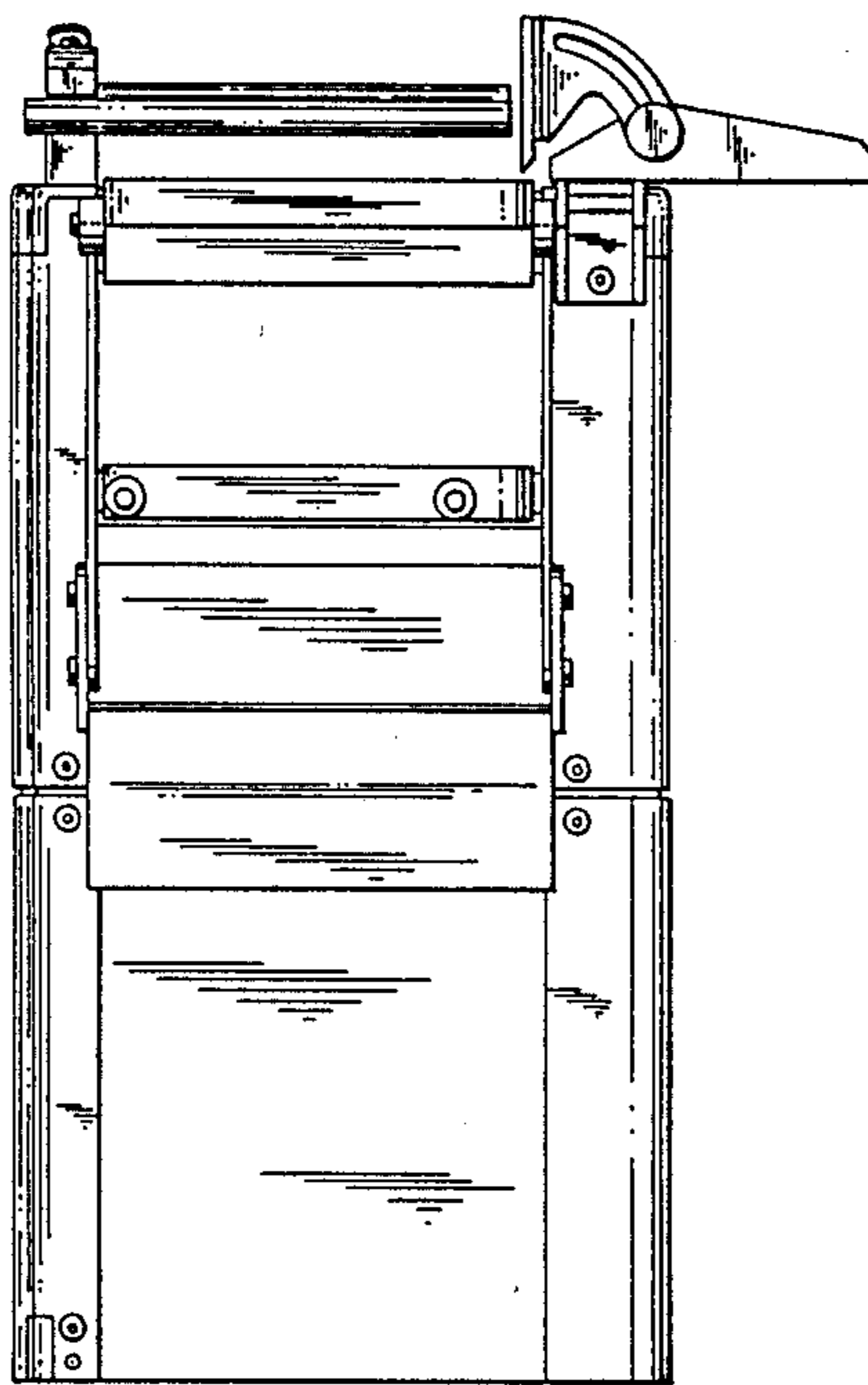


FIG. 6

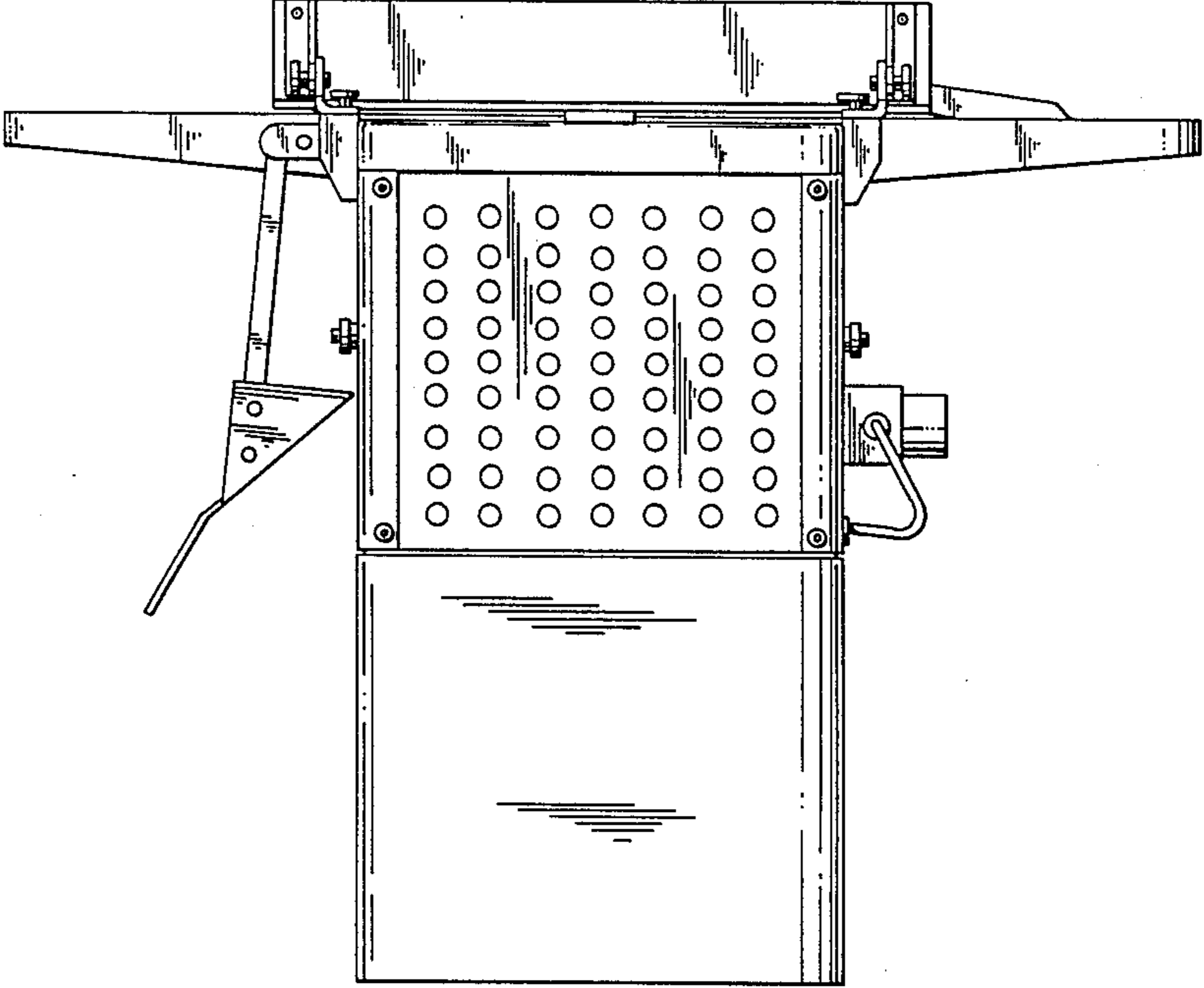


FIG. 7