

[54] **AGRICULTURAL TRACTOR**

[75] **Inventors: Sotoshi Takagi, Izumisano; Akio Fukata, Izumi, both of Japan**

[73] **Assignee: Kubota Ltd., Osaka, Japan**

[**] **Term: 14 Years**

[21] **Appl. No.: 100,139**

[22] **Filed: Sep. 23, 1987**

[30] **Foreign Application Priority Data**

Jul. 20, 1987 [JP] Japan 62-29434
[52] **U.S. Cl. D15/23**
[58] **Field of Search D15/10, 15, 23, 25, D15/30-33; 56/13 B, 13.4, DIG. 22, 244, 249, 255-257, 264**

[56]

References Cited

U.S. PATENT DOCUMENTS

D. 213,312 2/1969 Renquist D15/23
D. 231,006 3/1974 Root D15/23
D. 283,135 3/1986 Funabashi et al. D15/23

Primary Examiner—Nelson C. Holtje
Assistant Examiner—Ruth Takemoto
Attorney, Agent, or Firm—Edwin E. Greigg

[57]

CLAIM

The ornamental design of an agricultural tractor, as shown and described.

DESCRIPTION

FIG. 1 is a right side elevational view of an agricultural tractor showing our new design;
FIG. 2 is a left side elevational view thereof;
FIG. 3 is a top plan view thereof;
FIG. 4 is a front elevational view thereof;
FIG. 5 is a rear elevational view thereof; and
FIG. 6 is a perspective view thereof.

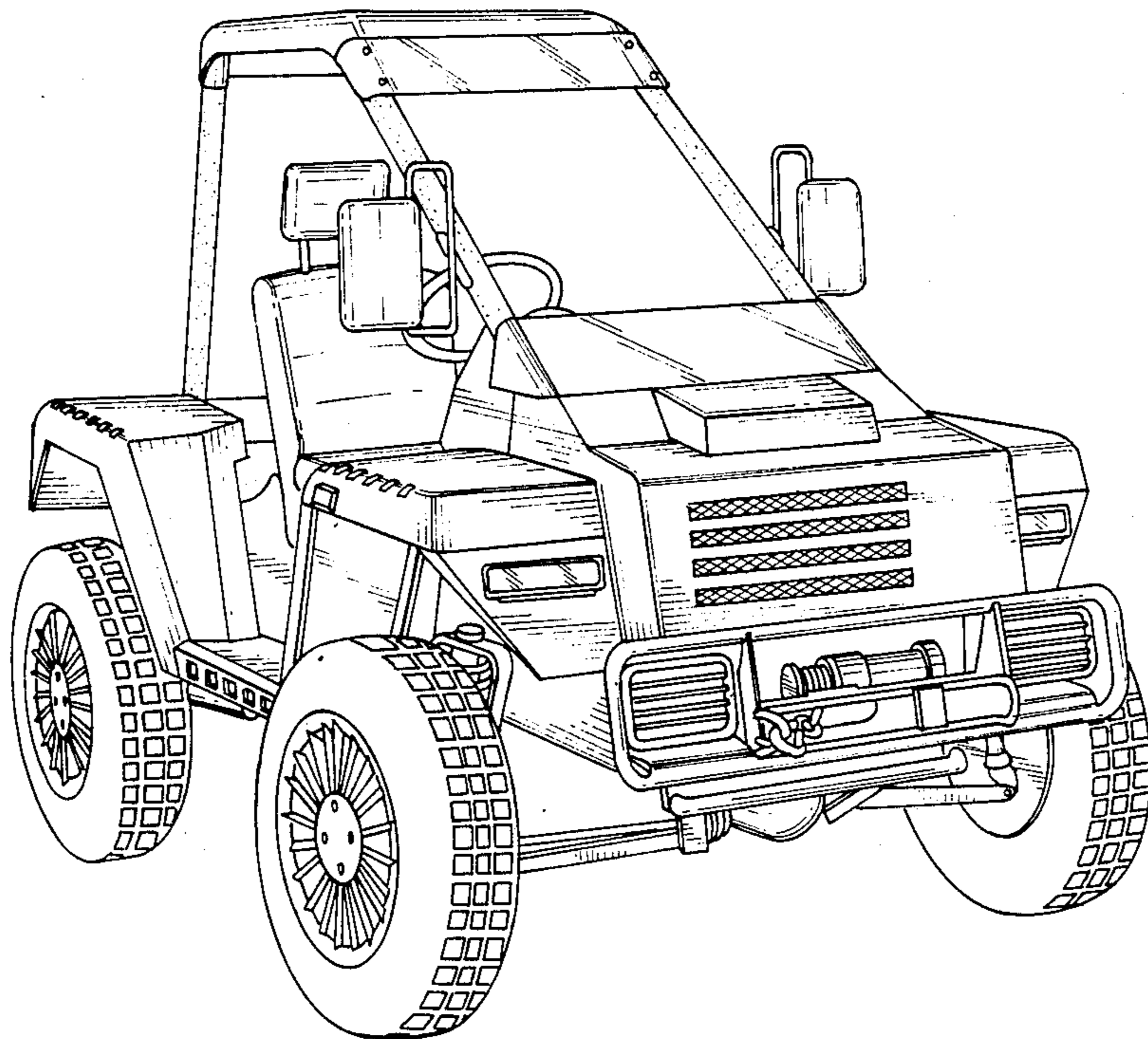


Fig. 1

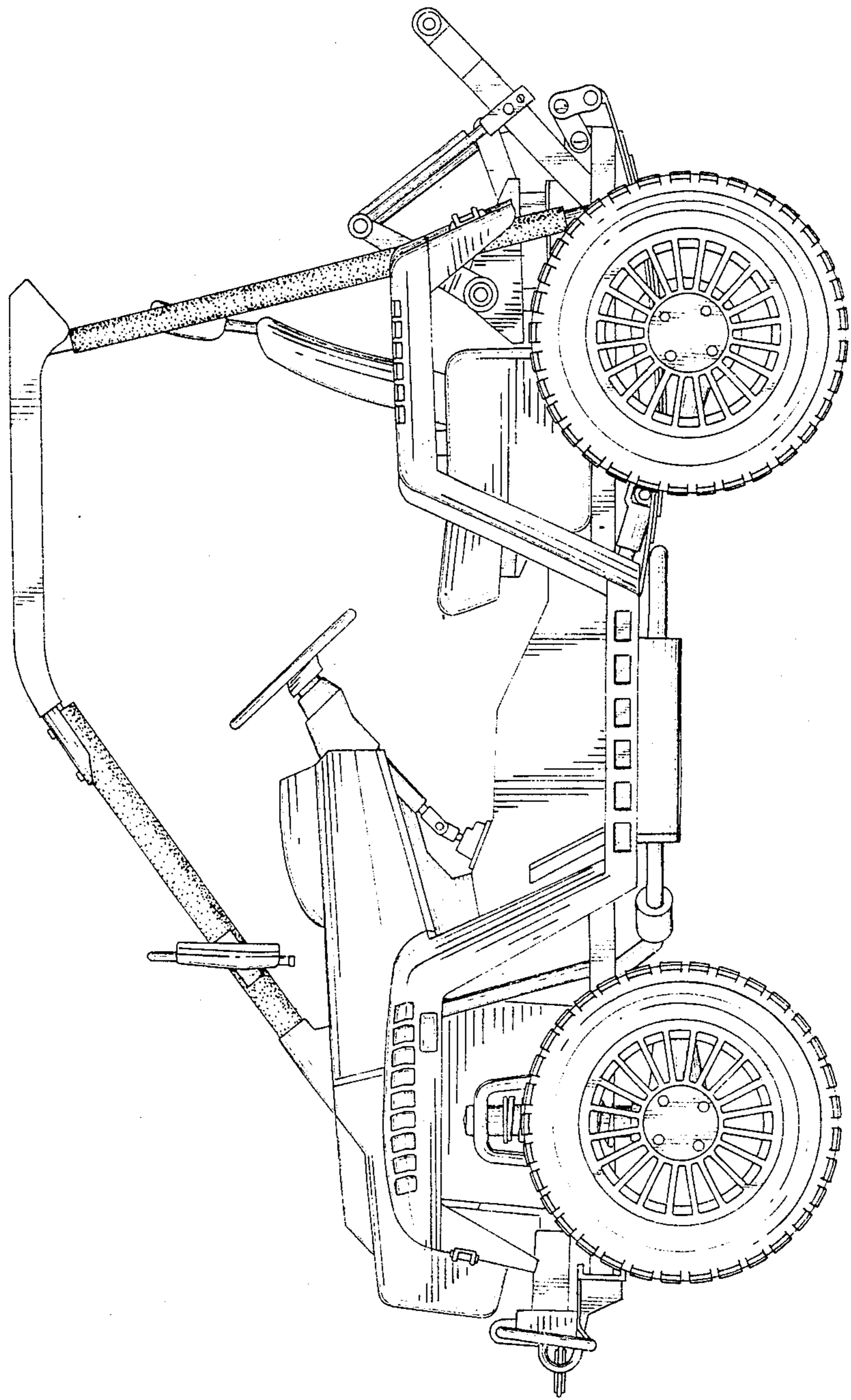


Fig. 2

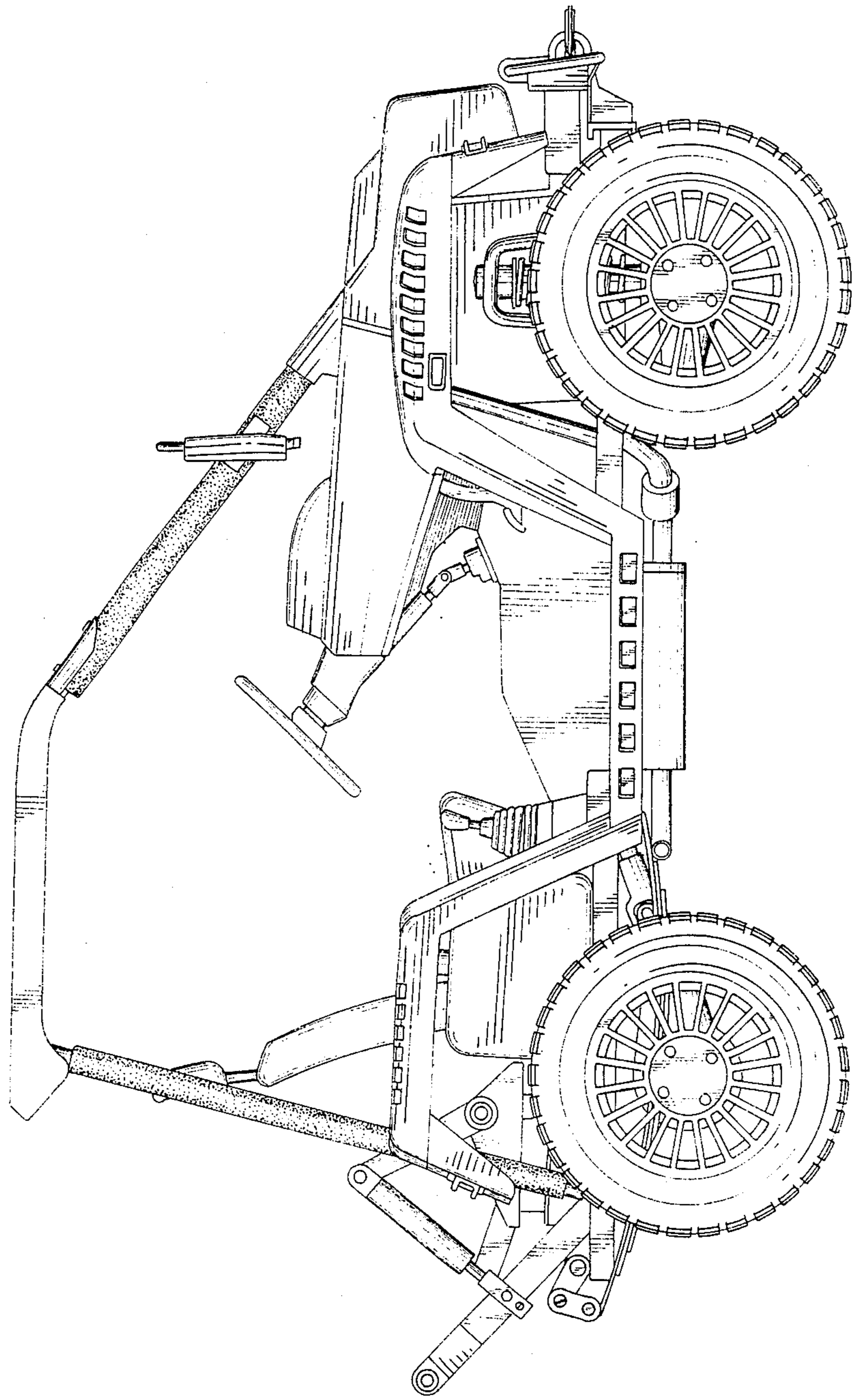


Fig. 3

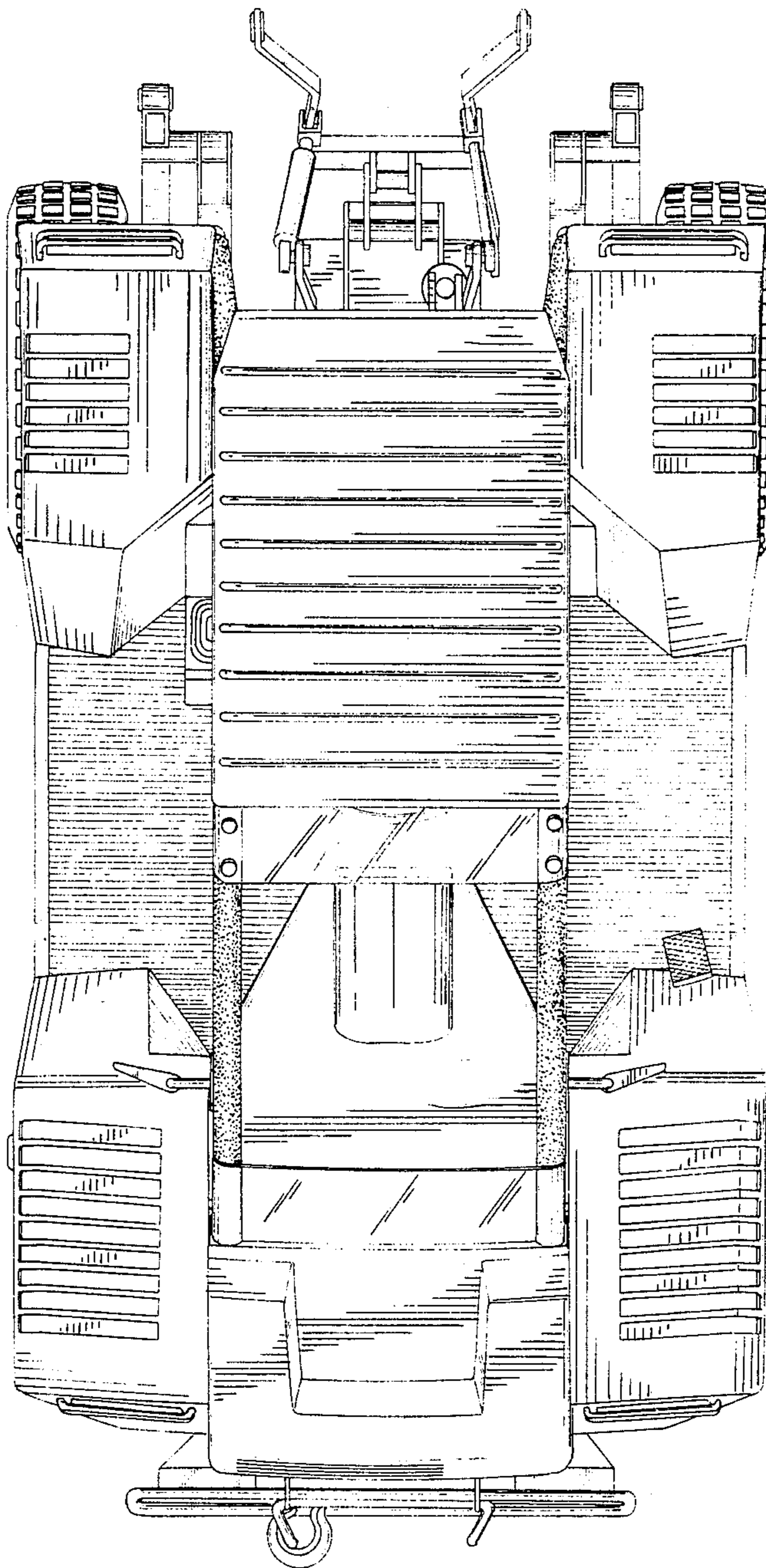


Fig.5

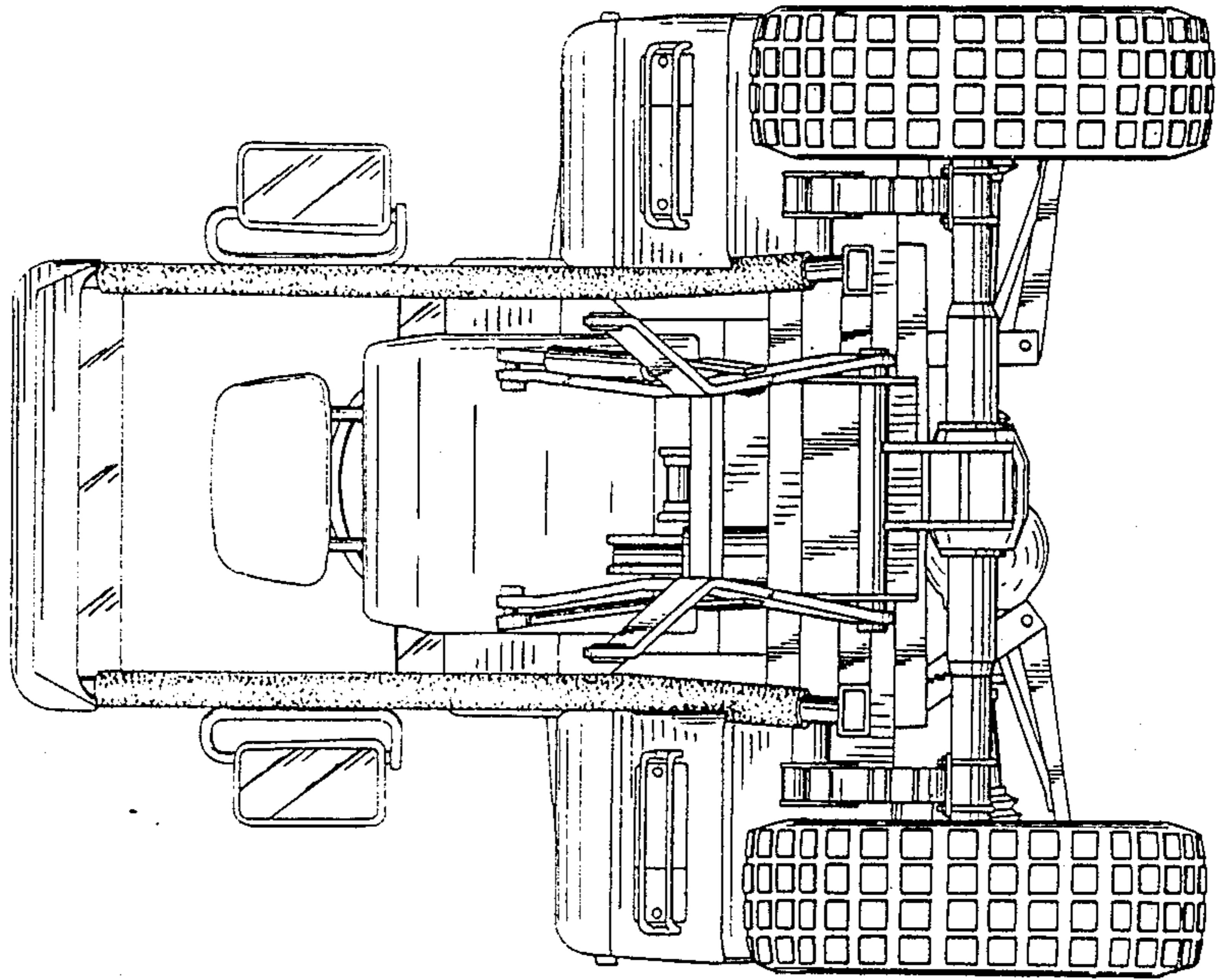
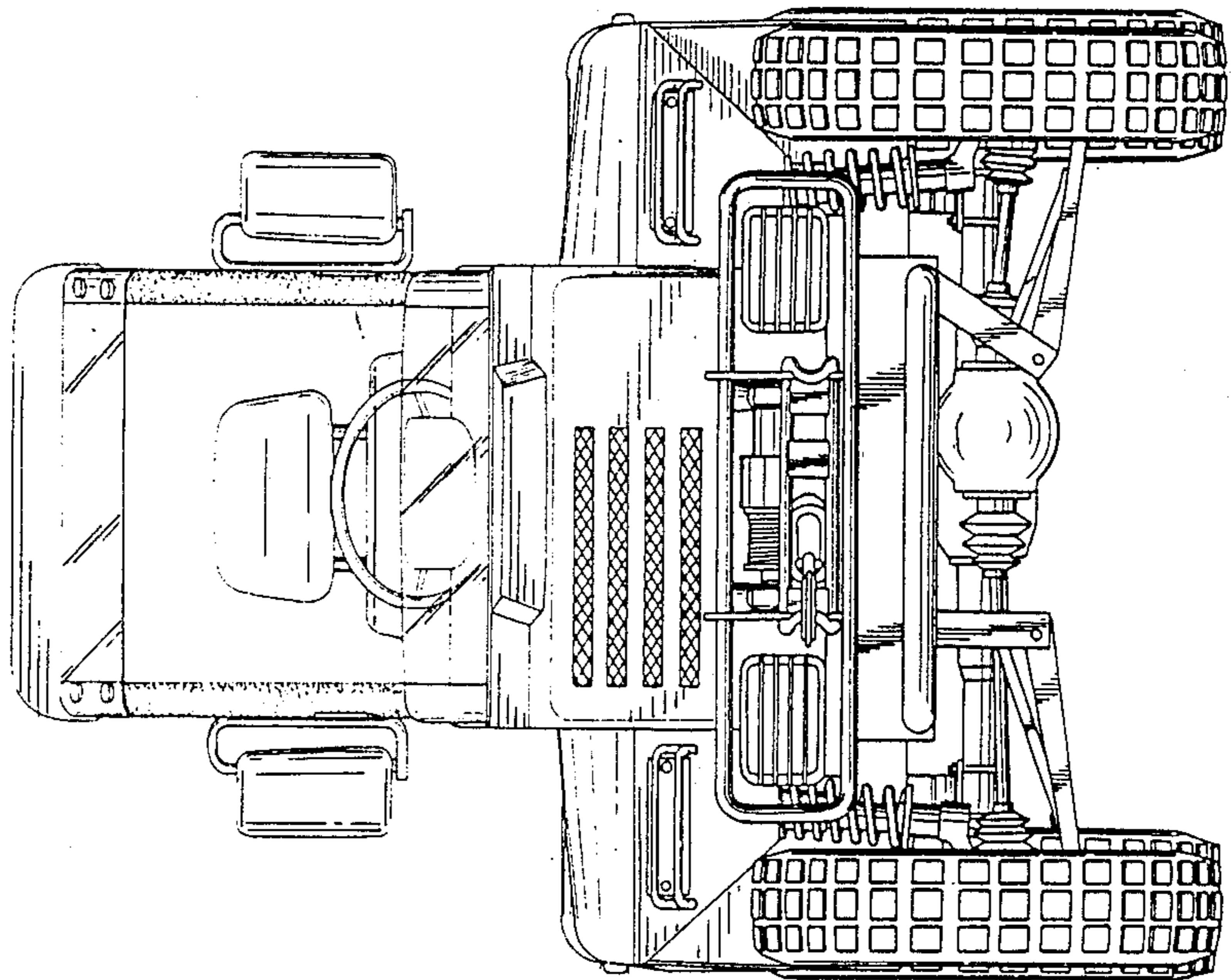


Fig.4



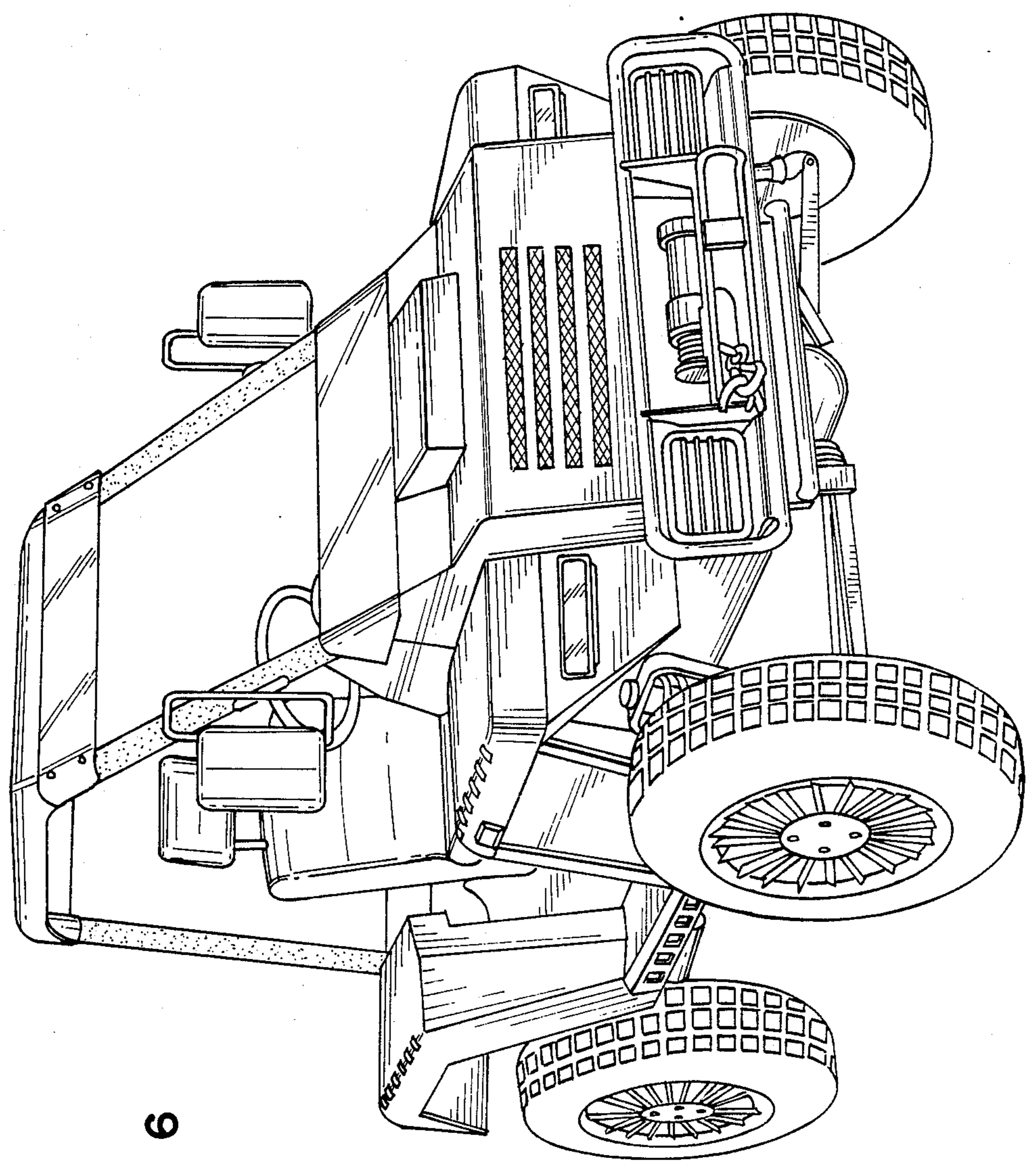


Fig. 6