

# United States Patent [19]

Hikawa

[11] Patent Number: **Des. 306,165**

[45] Date of Patent: **\*\* Feb. 20, 1990**

[54] **TELEPHONE SET**

[75] Inventor: **Koji Hikawa, Tokyo, Japan**

[73] Assignee: **Ricoh Company, Ltd., Tokyo, Japan**

[\*\*] Term: **14 Years**

[21] Appl. No.: **272,306**

[22] Filed: **Nov. 17, 1988**

[30] **Foreign Application Priority Data**

May 17, 1988 [JP] Japan ..... 63-019430

[52] U.S. Cl. .... **D14/151; D14/142;**  
379/436; 379/434

[58] Field of Search ..... **D14/149, 151, 248, 140,**  
**D14/142; 379/436, 440, 428, 434, 433, 419, 420,**  
432

[56] **References Cited**

**U.S. PATENT DOCUMENTS**

D. 289,897 5/1987 Felix ..... D14/149

D. 290,461 6/1987 Mitchell ..... D14/151  
D. 292,703 11/1987 Tragatschnig ..... D14/151  
D. 293,571 1/1988 Birchin ..... D14/151  
D. 295,624 5/1988 Garcia ..... D14/248  
D. 297,137 8/1988 Richter et al. .... D14/151  
D. 299,456 1/1989 Kuo ..... D14/151  
D. 300,824 4/1989 Okuda et al. .... D14/151  
4,736,411 4/1988 Chan ..... 379/436  
4,763,352 8/1988 Goff ..... 379/437  
4,776,009 10/1988 Gumb et al. .... D14/248

*Primary Examiner*—Horace B. Fay, Jr.

*Attorney, Agent, or Firm*—Oblon, Spivak, McClelland,  
Maier & Neustadt

[57] **CLAIM**

The ornamental design for telephone set, as shown and described.

**DESCRIPTION**

FIG. 1 is a front, top and right side perspective view of a telephone set showing my new design; and FIG. 2 is a rear, bottom and left side perspective view thereof.

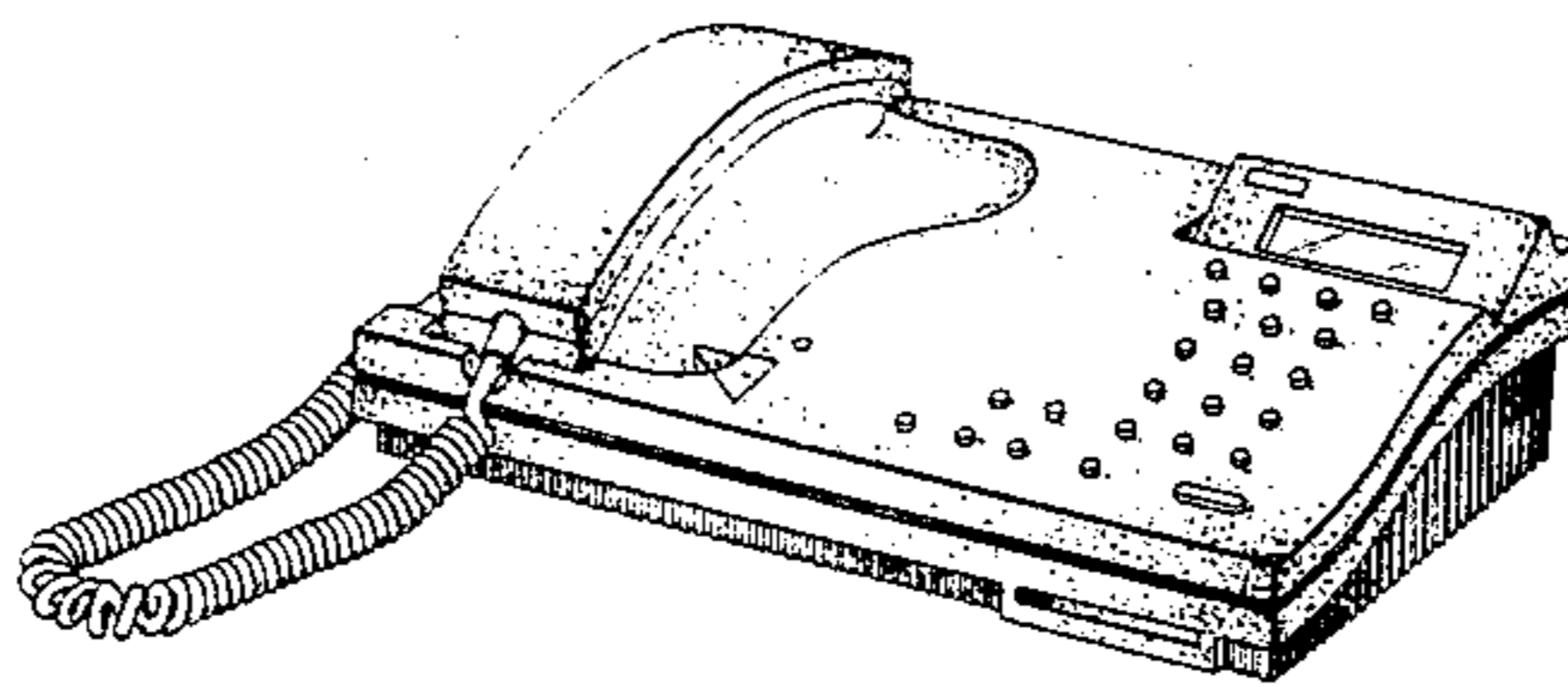


FIG. 1

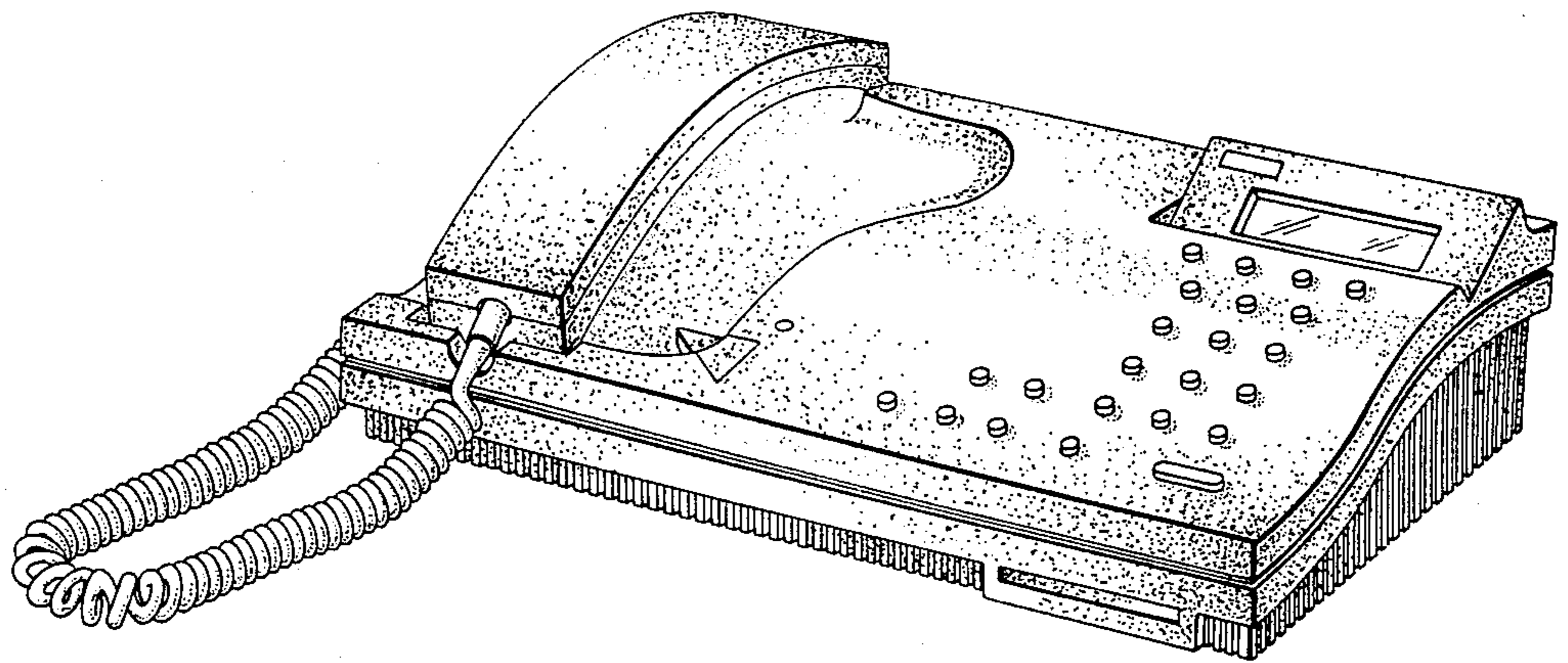


FIG. 2

