

[54] HAND-HELD OCR SCANNER

[75] Inventors: James L. Faulkerson, Woodside; Alan Kittrell, Fremont, both of Calif.

[73] Assignee: Everex Ti Corporation, Fremont, Calif.

[**] Term: 14 Years

[21] Appl. No.: 110,953

[22] Filed: Oct. 20, 1987

[52] U.S. Cl. D14/116

[58] Field of Search D14/100, 105, 107, 111, D14/114, 116; D16/1, 2, 27, 28, 30, 32; D18/13, 22, 23; 354/80, 81, 82; 355/1, 7, 8, 19, 145 H, 45, 46, 47; 235/475, 479, 440, 454, 462, 470, 471, 472, 473, 483, 484, 486; 250/203 R, 216, 566, 568; 382/58, 59, 62, 63, 65, 66, 67, 68; 358/285, 286, 256, 292, 293, 294, 163; 364/520

[56] References Cited

U.S. PATENT DOCUMENTS

D. 248,946	8/1978	Koenig	D14/40
D. 262,371	12/1981	Sanner	D14/116
3,947,817	3/1976	Reque et al.	340/146.3
4,088,981	5/1978	Gott	340/146.3
4,118,687	10/1978	McWaters et al.	340/146.3
4,124,797	11/1978	Himmel	235/467
4,158,194	6/1979	McWaters et al.	340/146.3

4,457,016	6/1984	Pfeffer	382/59
4,538,072	8/1985	Immler et al.	235/472 X
4,575,625	3/1986	Knowles	235/472 X
4,581,761	4/1986	Ichinokawa et al.	382/13

FOREIGN PATENT DOCUMENTS

0016400	3/1979	European Pat. Off.	.
60-19284	1/1985	Japan	.

OTHER PUBLICATIONS

KEY TRONIC, 1200 Series OCR Hand Held Wand+-Guide Mask, Spokane, WA 99126 U.S.A.

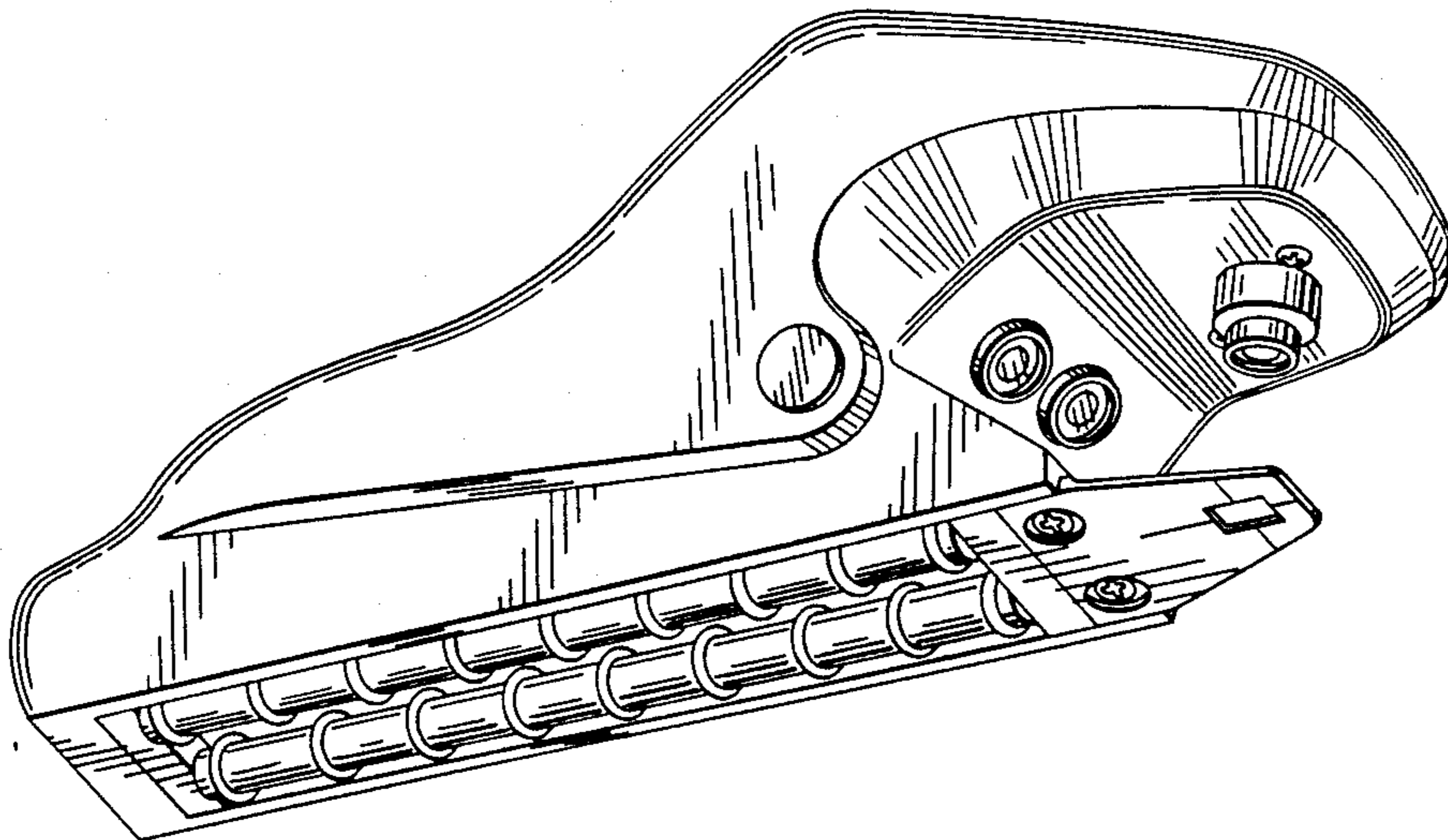
Primary Examiner—Susan J. Lucas
Assistant Examiner—Freda S. Nunn
Attorney, Agent, or Firm—Roberts and Quiogue

[57] CLAIM

The ornamental design for a hand-held OCR scanner, as shown.

DESCRIPTION

FIG. 1 is a left hand side elevation view of a hand held OCR scanner showing our new design; FIG. 2 is a top plan view thereof; FIG. 3 is a bottom plan view thereof; FIG. 4 is a front elevation view thereof; FIG. 5 is a rear elevation view thereof; and FIG. 6 is a bottom, front and right hand side perspective view thereof.



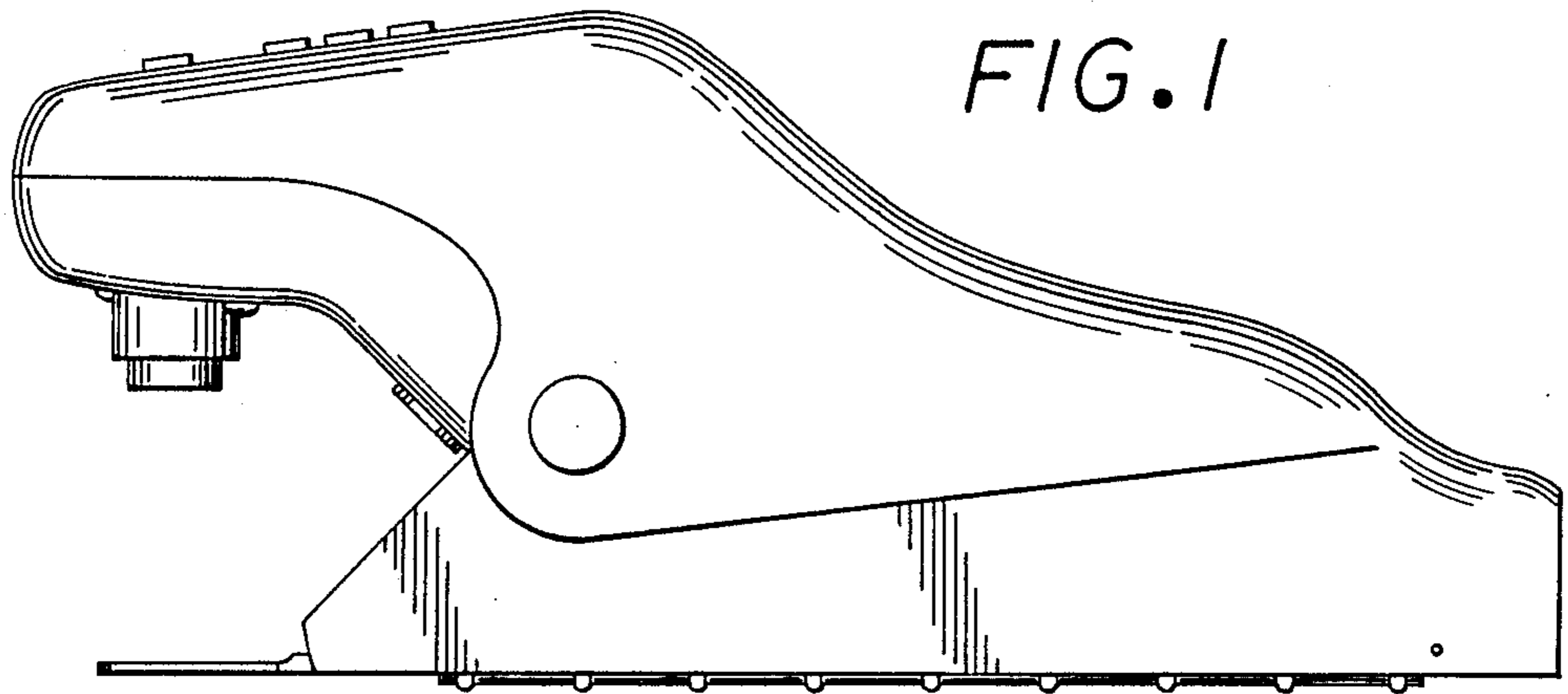


FIG. 1

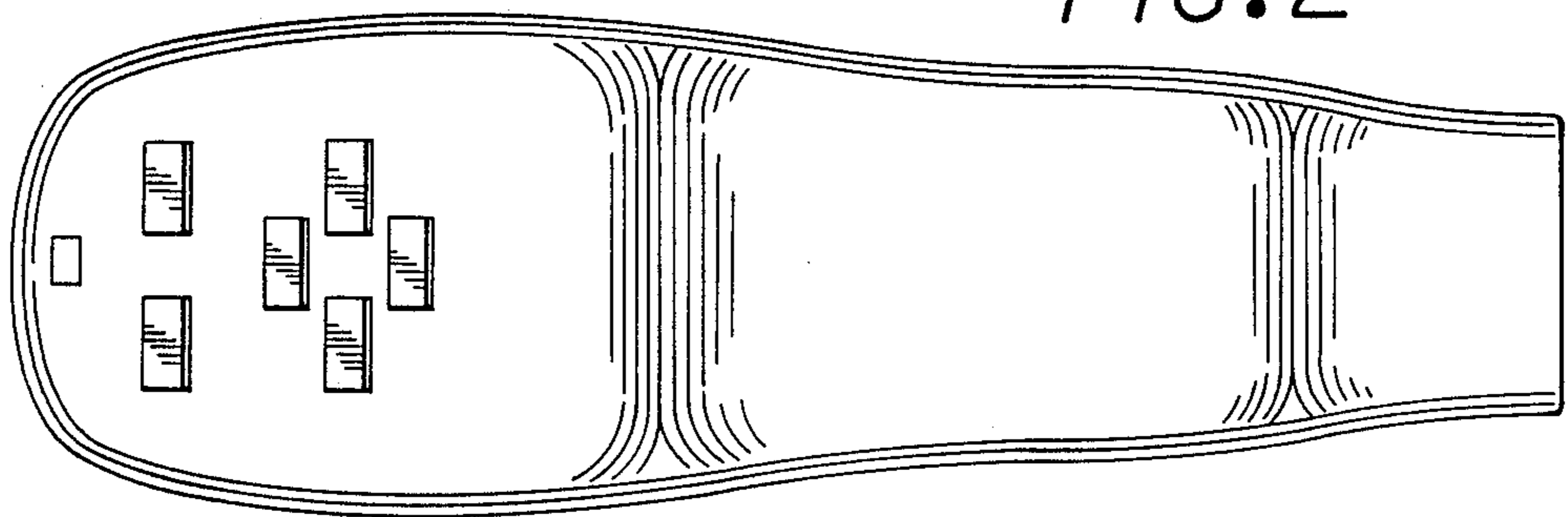


FIG. 2

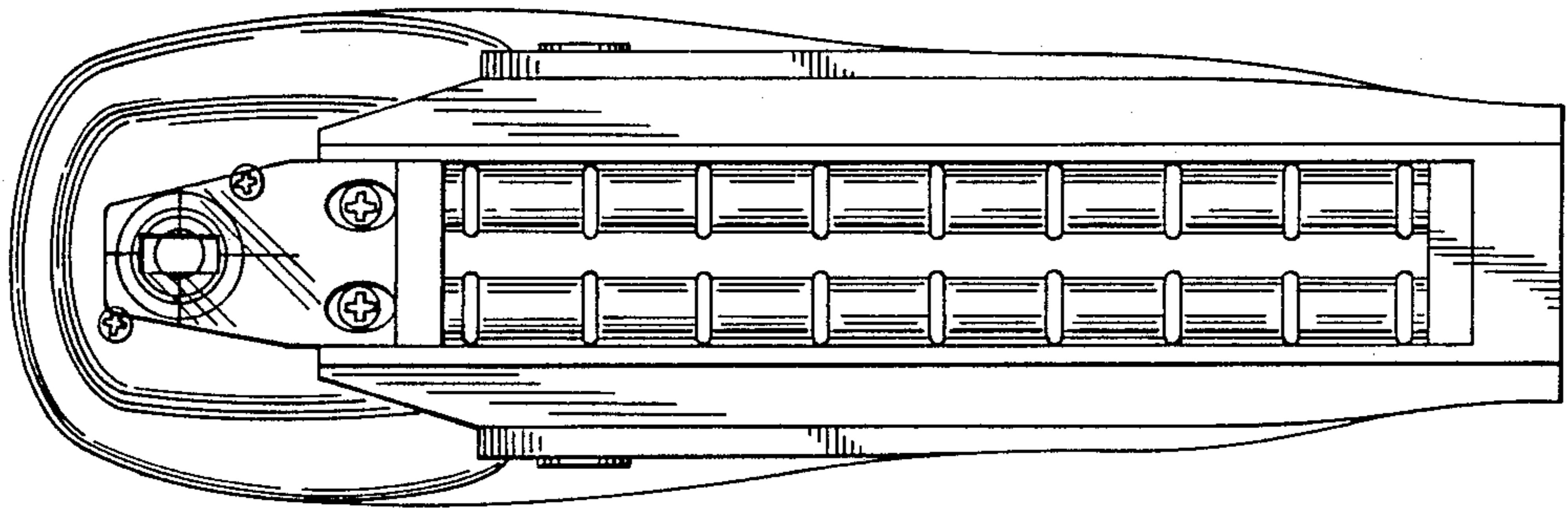


FIG. 3

FIG. 4

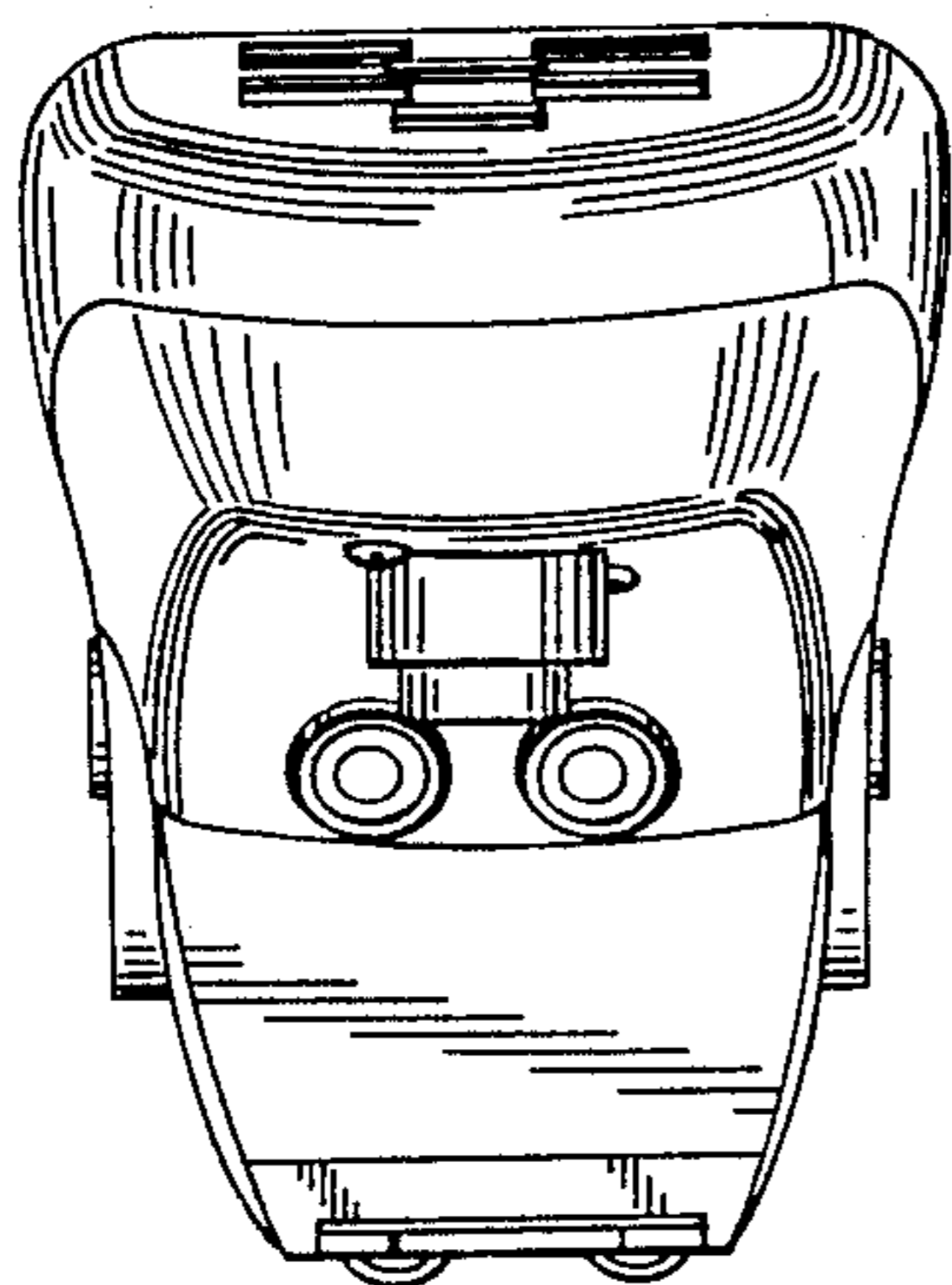
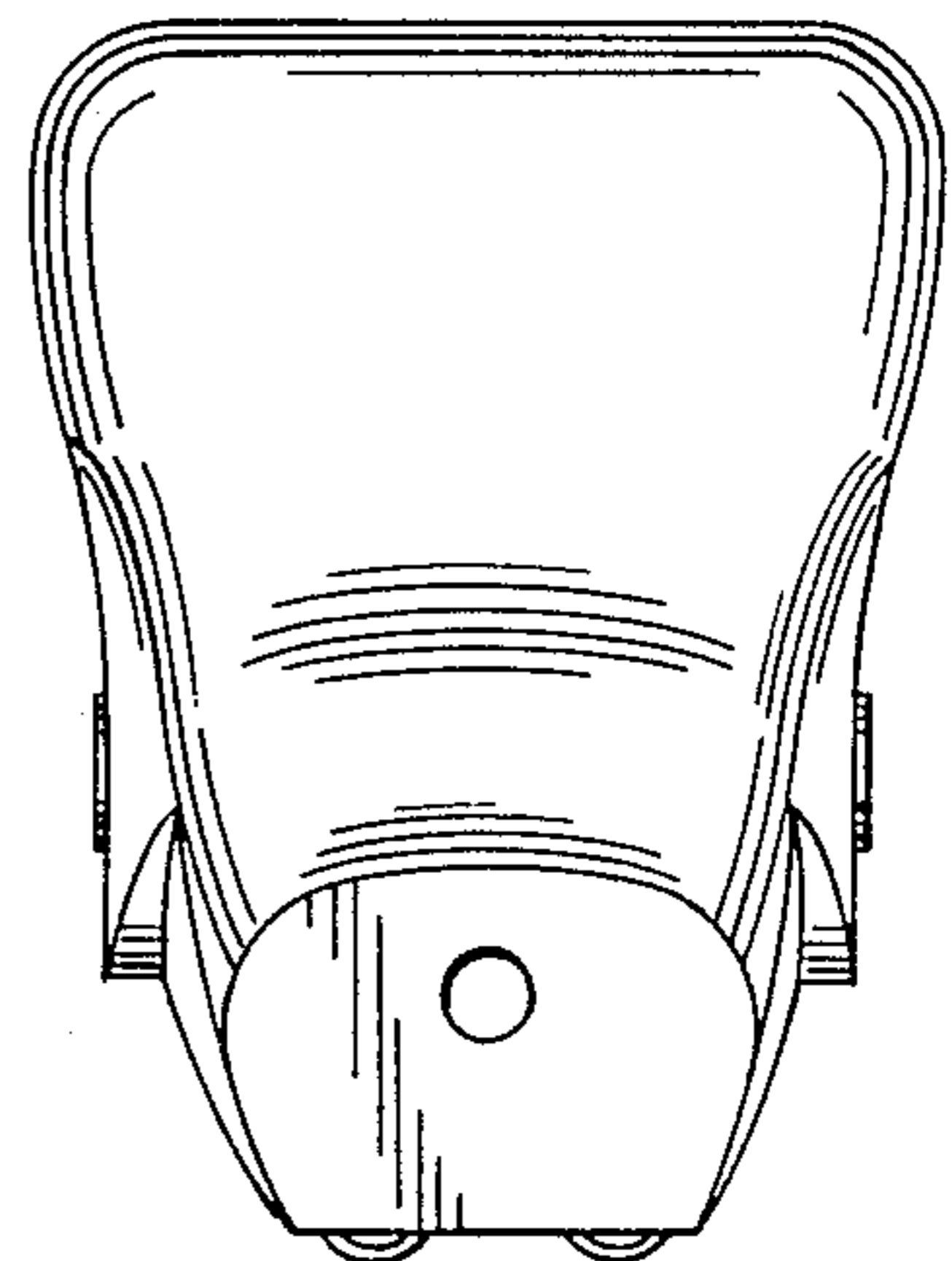


FIG. 5



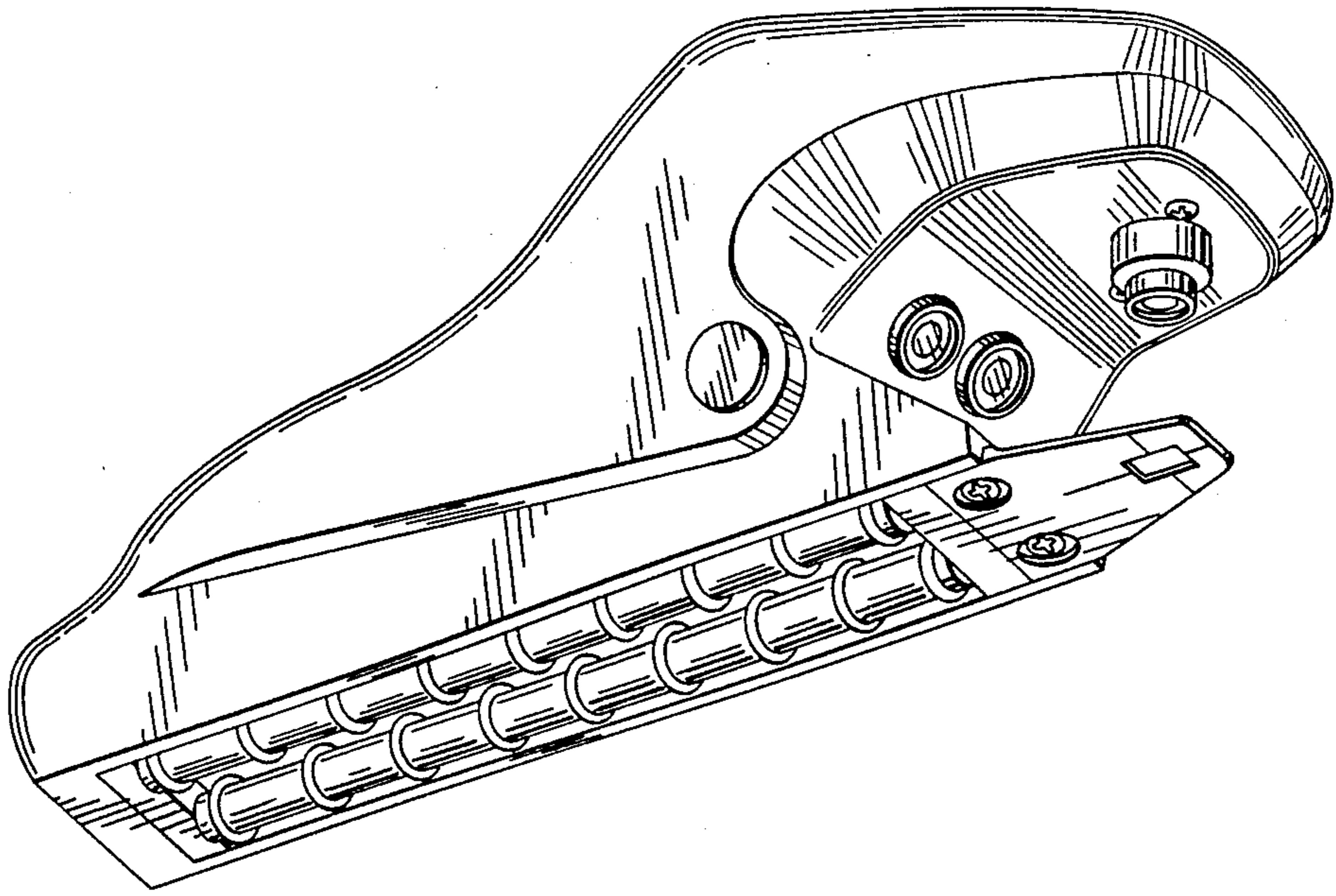


FIG. 6