

[54] LIQUID CRYSTAL DISPLAY FOR COMPUTER

[75] Inventor: Kazuhiko Ashihara, Osaka, Japan

[73] Assignee: Sharp Corporation, Osaka, Japan

[\*\*] Term: 14 Years

[21] Appl. No.: 44,456

[22] Filed: Apr. 30, 1987

[30] Foreign Application Priority Data

Nov. 4, 1986 [JP] Japan ..... 61-43560

[52] U.S. Cl. .... D14/113

[58] Field of Search ..... D14/100, 102, 105, 106, D14/107, 109, 113, 115; D18/1, 2, 6, 7, 11, 12, 13; 340/700, 706, 711, 712; 341/22, 23; 364/706-710, 130, 144, 189; 235/145 A, 145 R; 312/208; 358/248, 249, 254

[56] References Cited

U.S. PATENT DOCUMENTS

D. 264,347 5/1982 Peroni ..... D18/11  
D. 277,001 1/1985 McGarvey et al. .... D14/115

D. 289,873 5/1987 Gemmell et al. .... D14/113  
D. 296,770 7/1988 Lloyd ..... D14/114 X  
4,104,727 8/1978 Washizuka et al. .... 364/708

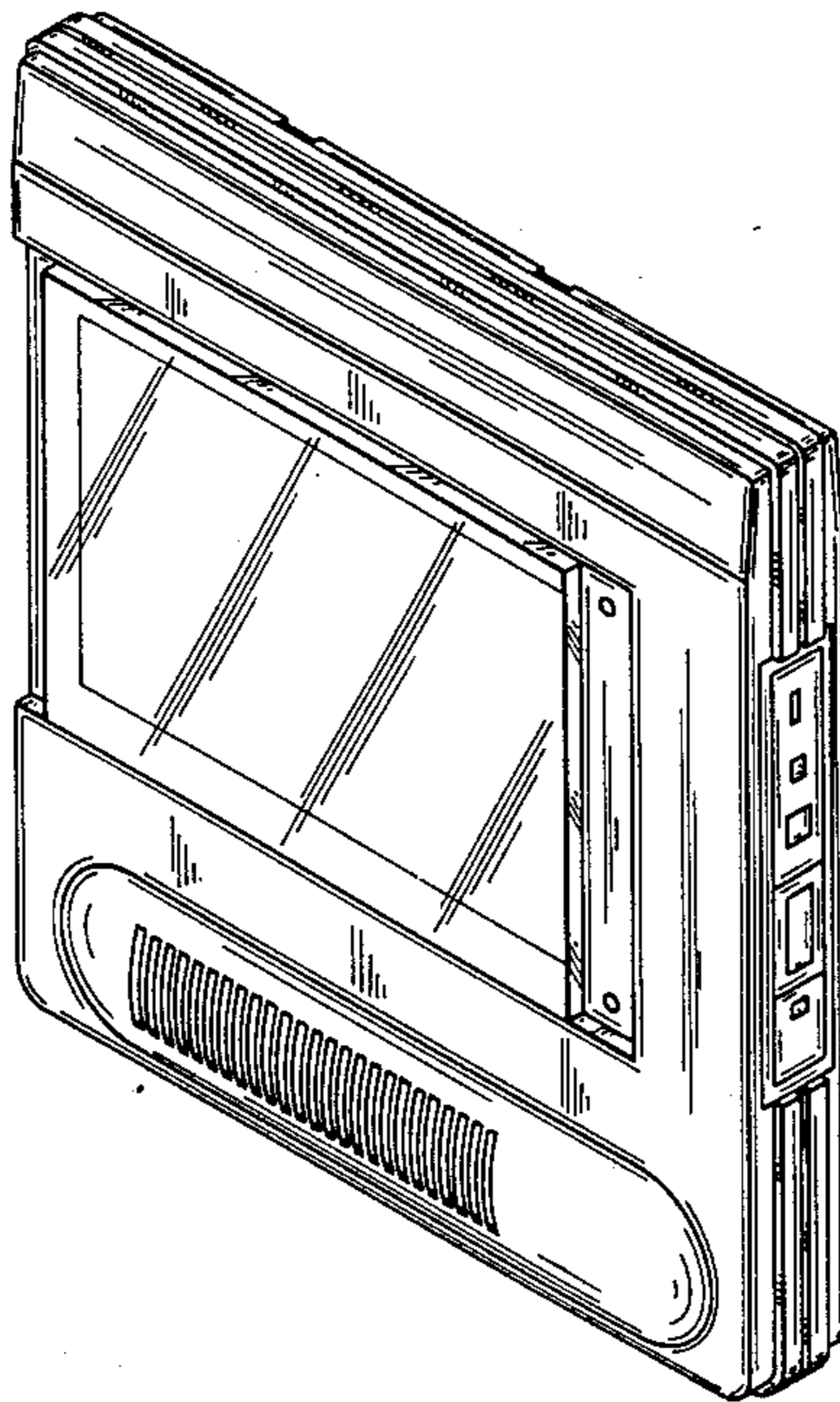
Primary Examiner—Susan J. Lucas  
Assistant Examiner—Freda Selma-Nunn  
Attorney, Agent, or Firm—Flehr, Hohbach, Test, Albritton & Herbert

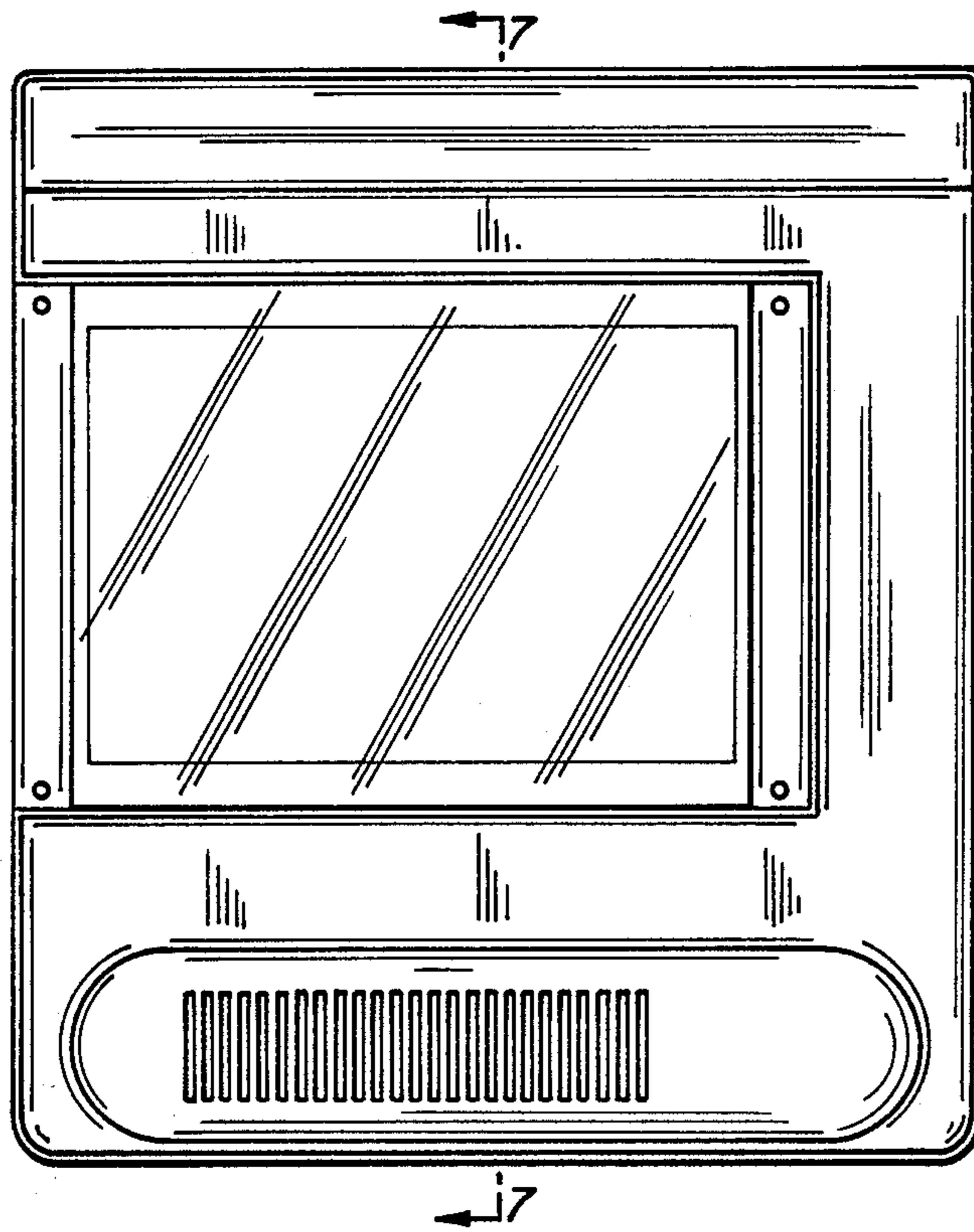
[57] CLAIM

The ornamental design for a liquid crystal display for computer, as shown and described.

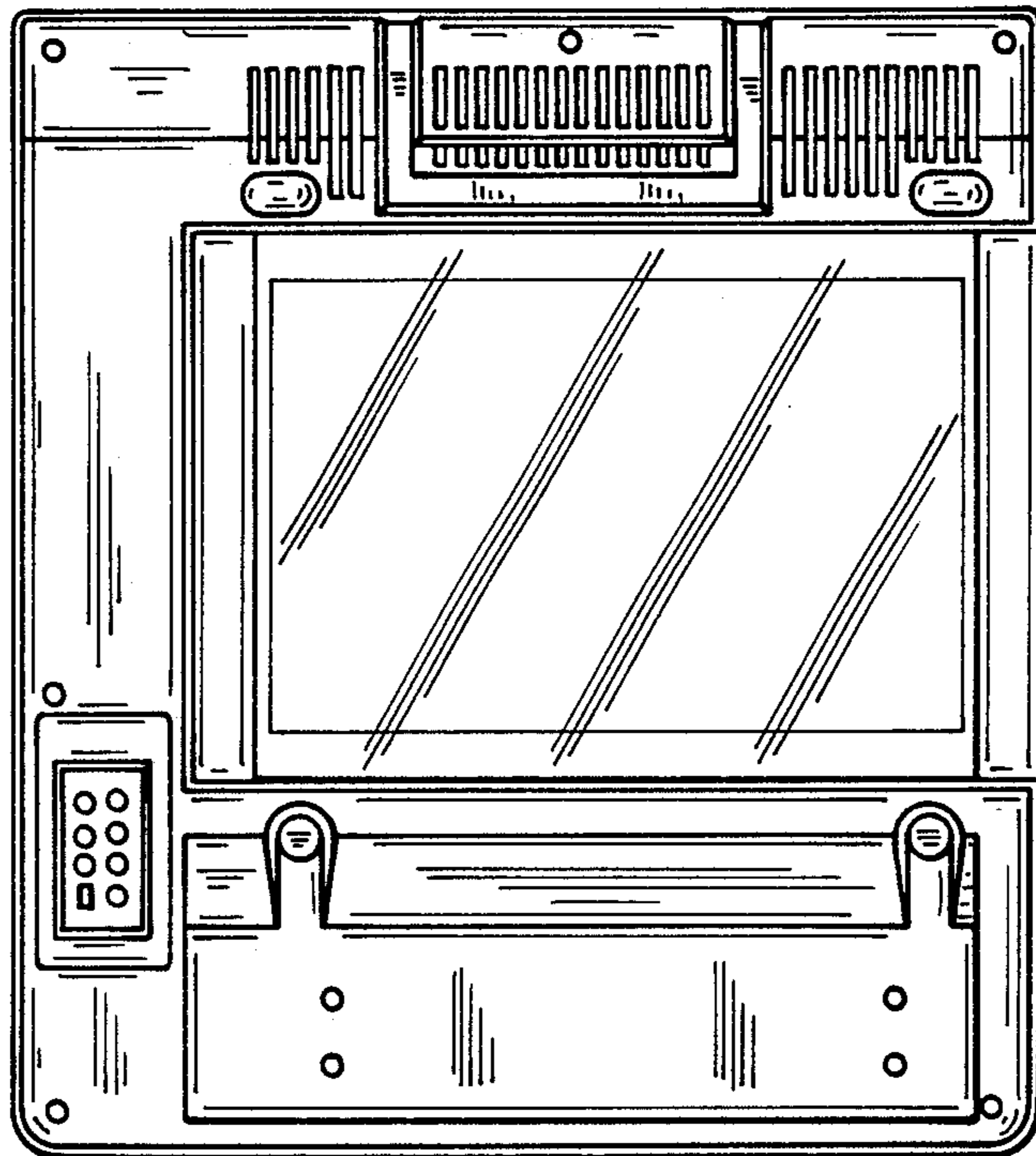
DESCRIPTION

FIG. 1 is a front elevational view of a liquid crystal display for computer showing my new design; FIG. 2 is a rear elevational view thereof; FIG. 3 is a top plan view thereof; FIG. 4 is a bottom plan view thereof; FIG. 5 is a right side elevational view thereof; FIG. 6 is a left side elevational view thereof; FIG. 7 is a sectional view thereof, taken along the line 7—7 of FIG. 1; and FIG. 8 is a top, front, right side perspective view thereof on an enlarged scale.

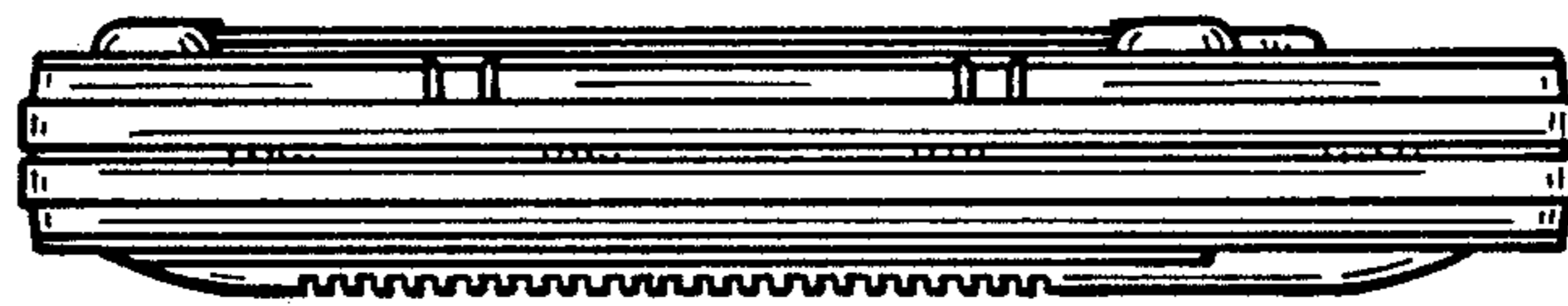




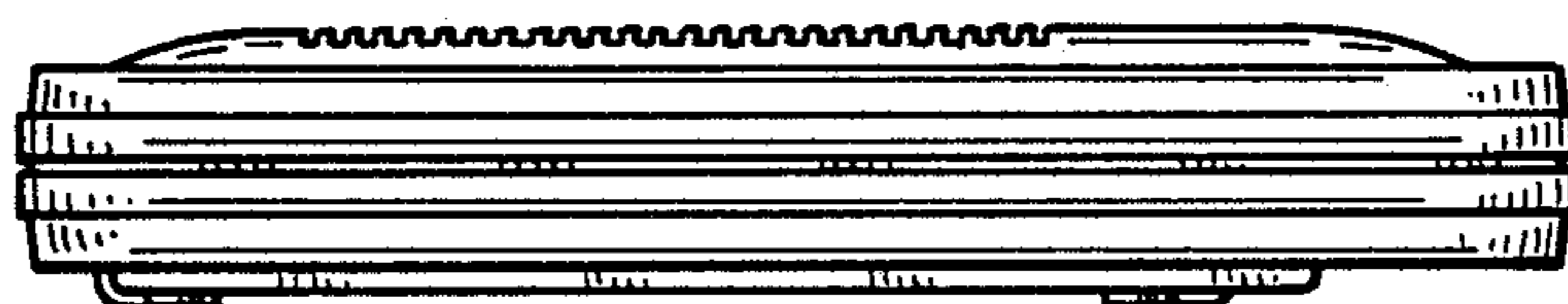
FIG\_1



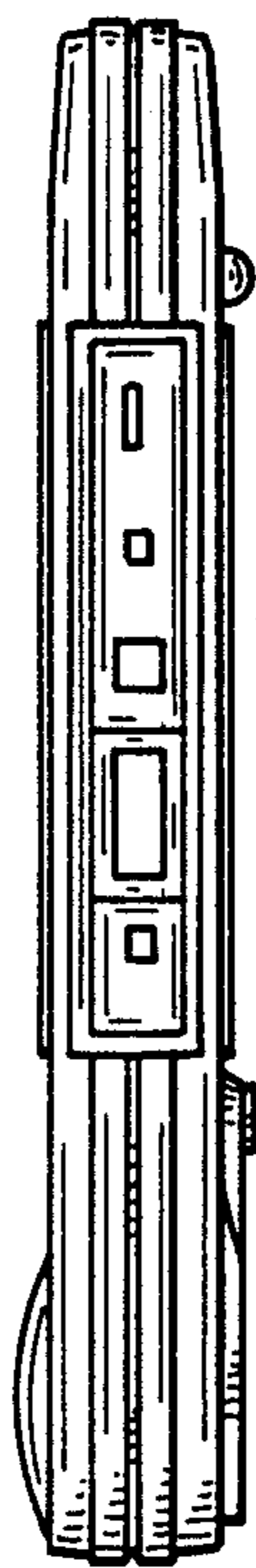
FIG\_2



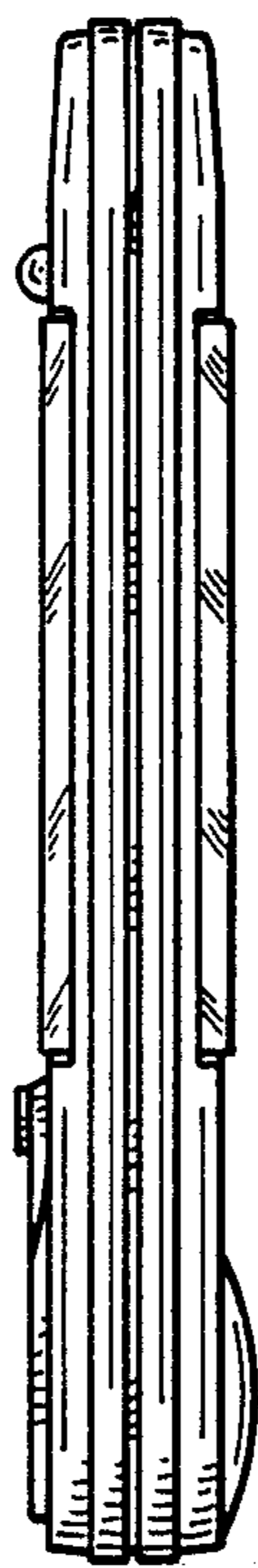
FIG\_3



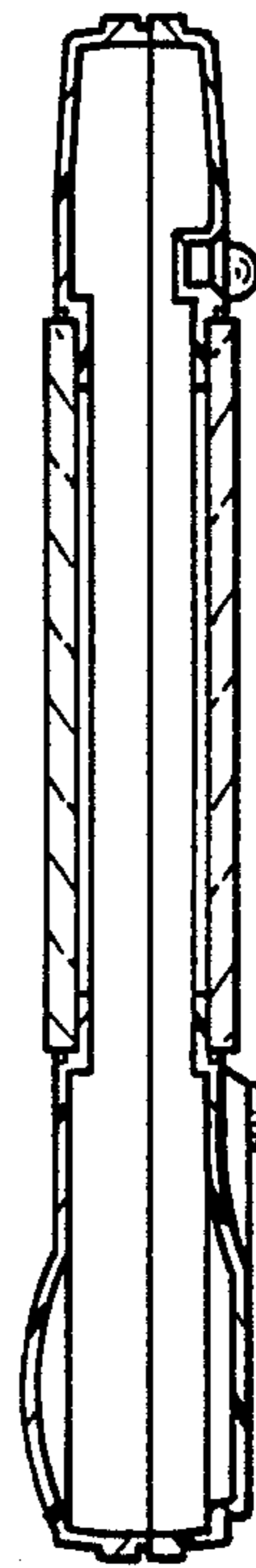
FIG\_4



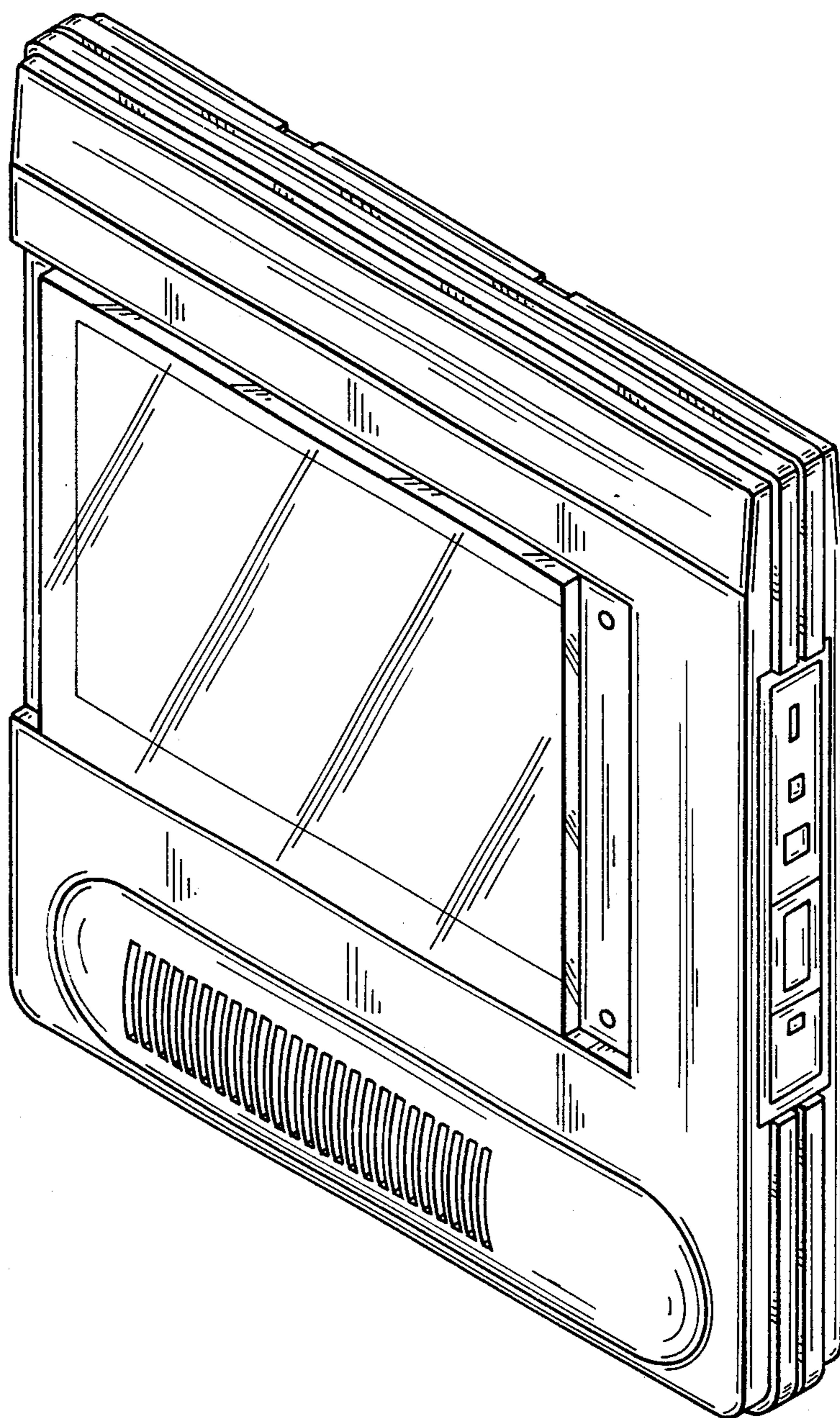
FIG\_5



FIG\_6



FIG\_7



*FIG\_8*