

[54] FACE PANEL FOR ELECTRICAL APPARATUS

[75] Inventors: John P. Stahler, La Jolla; David B. Hartley, San Diego; Stephen O. Ross, Del Mar, all of Calif.

[73] Assignee: Robot Research, Inc., San Diego, Calif.

[**] Term: 14 Years

[21] Appl. No.: 238,573

[22] Filed: Aug. 29, 1988

[52] U.S. Cl. D13/35

[58] Field of Search D13/11, 12, 19, 33, D13/35, 40, 41, 99; D10/50; D14/115, 159, 241; D15/138; D18/22; D24/8; D6/443, 447; 315/295; 364/513; 310/89; 361/43, 390, 391; 118/671; 232/24, 31; 358/14, 181, 185

[56] References Cited

U.S. PATENT DOCUMENTS

- D. 96,717 9/1935 Adams, Jr. D13/35
- D. 278,706 5/1985 Yamagata et al. D13/35
- D. 287,244 12/1986 Tope D13/40
- D. 288,092 2/1987 Towell et al. D13/40 X
- D. 293,327 12/1987 Fricke et al. D13/35 X
- D. 297,653 9/1988 Columbus D20/29

OTHER PUBLICATIONS

Ads C3 Cassette Deck pictured on p. 36 of Jul. 1985 Stereo Review.

Primary Examiner—Susan J. Lucas
Assistant Examiner—Joel Sincavage
Attorney, Agent, or Firm—Knobbe, Martens, Olson and Bear

[57] CLAIM

The ornamental design of our face panel for electrical apparatus, as shown and described.

DESCRIPTION

FIG. 1 is a perspective view of a face panel for electrical apparatus showing our new design;
 FIG. 2 is a top plan view thereof;
 FIG. 3 is a front elevational view thereof;
 FIG. 4 is a back elevational view thereof;
 FIG. 5 is a right side elevational view thereof the left side elevational view being a mirror image;
 FIG. 6 is a perspective view of a face panel for electrical apparatus showing a second embodiment of our new design;
 FIG. 7 is a top plan view thereof;
 FIG. 8 is a front elevational view thereof;
 FIG. 9 is a back elevational view thereof;
 FIG. 10 is a right side elevational view thereof, the left side elevational view being a mirror image.
 The portions shown in broken lines are for illustrative purposes only and form no part of the claimed design.

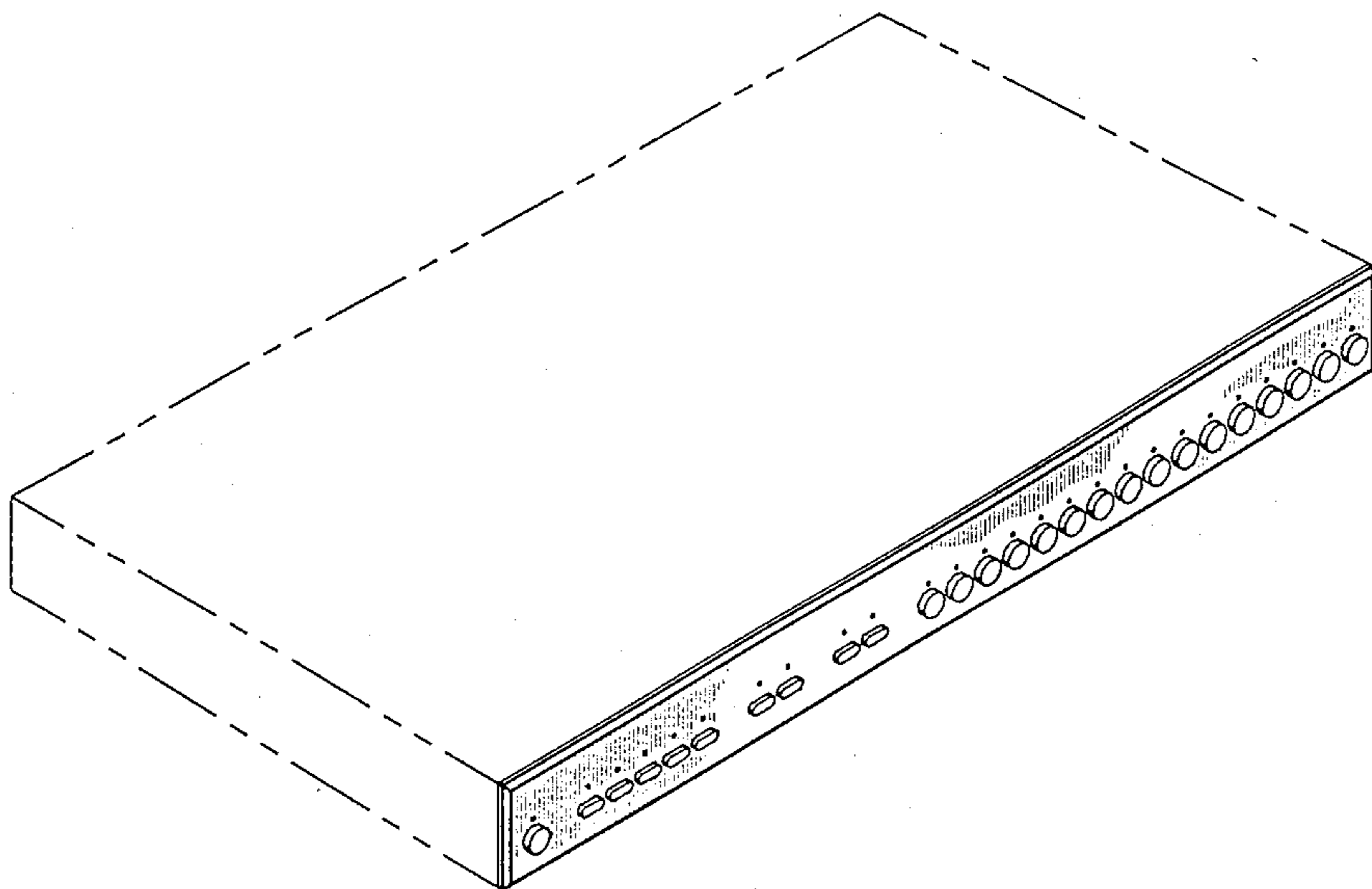


FIG. 1

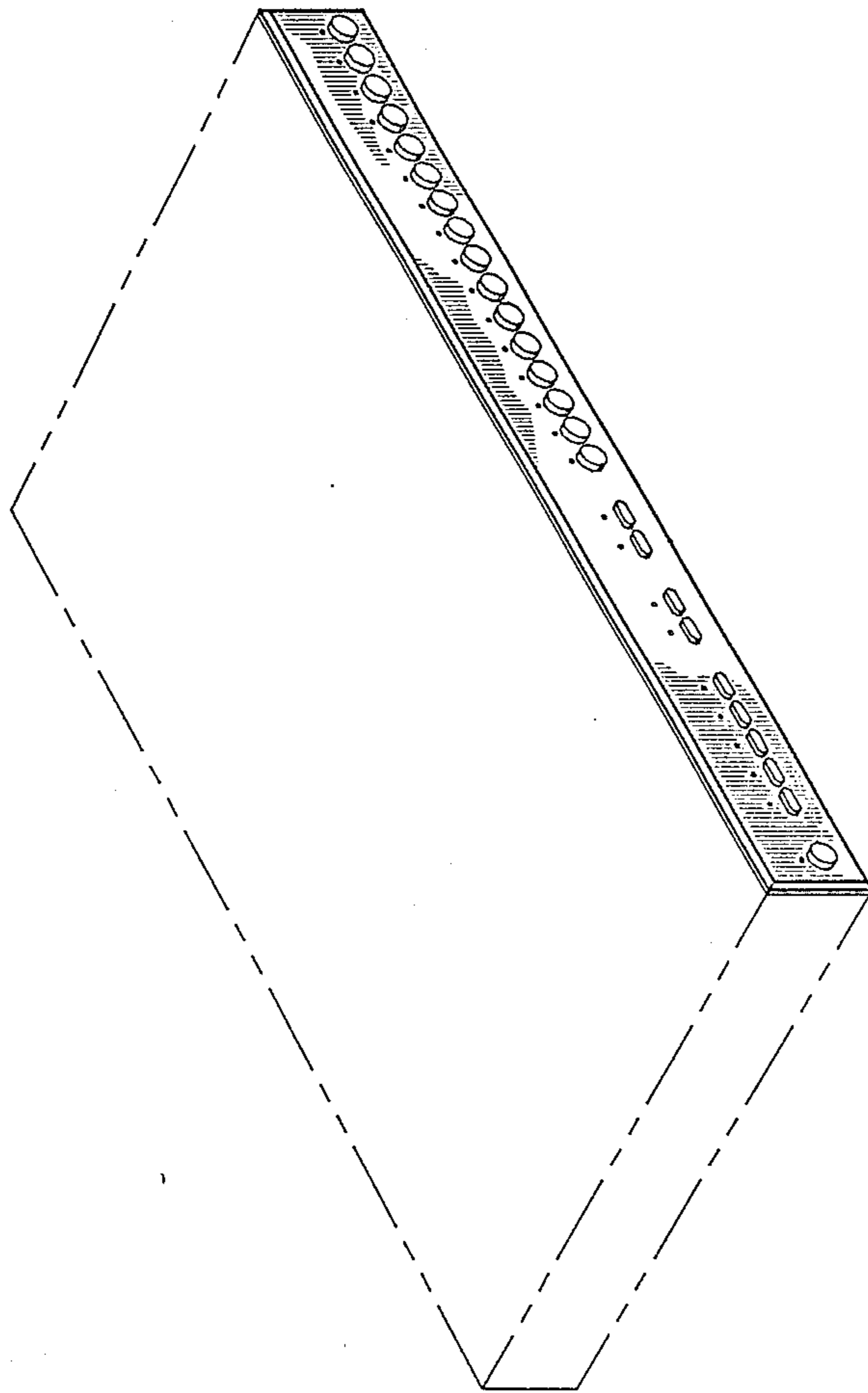


FIG. 5

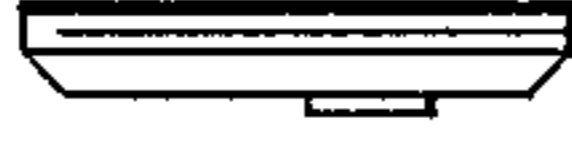


FIG. 2



FIG. 3

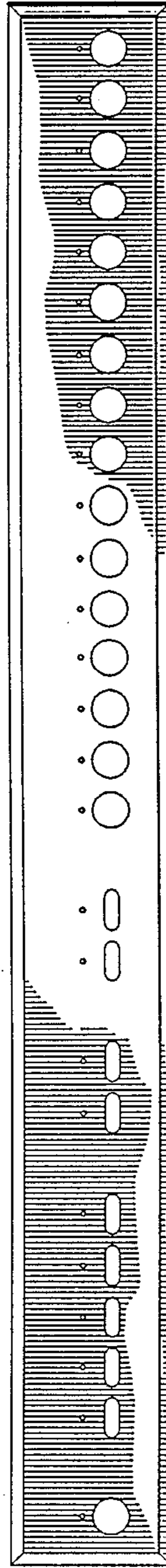


FIG. 4

