

United States Patent [19]

Lund

[11] Patent Number: **Des. 306,136**

[45] Date of Patent: **** Feb. 20, 1990**

[54] **LADDER RAIL CLAMP**

[76] Inventor: **Ordell R. Lund, 1915 E. 9th St.,
Duluth, Minn. 55812**

[**] Term: **14 Years**

[21] Appl. No.: **92,706**

[22] Filed: **Sep. 3, 1987**

[52] U.S. Cl. **D8/395; D8/373**

[58] Field of Search **D8/366, 373, 395, 371;
D32/54; 248/210, 211, 300**

[56] **References Cited**

U.S. PATENT DOCUMENTS

D. 266,964	11/1982	Rasheed	D32/54
1,256,909	2/1918	Kroshaug	248/210
1,880,319	10/1932	Iasillo .	
2,226,228	12/1940	Kunde	248/300
2,686,032	8/1954	Thorson	248/211

3,246,867	4/1966	Ewing	248/210
3,313,506	4/1967	Bauchard	248/210
3,964,711	6/1976	Lund	248/210

Primary Examiner—B. J. Bullock

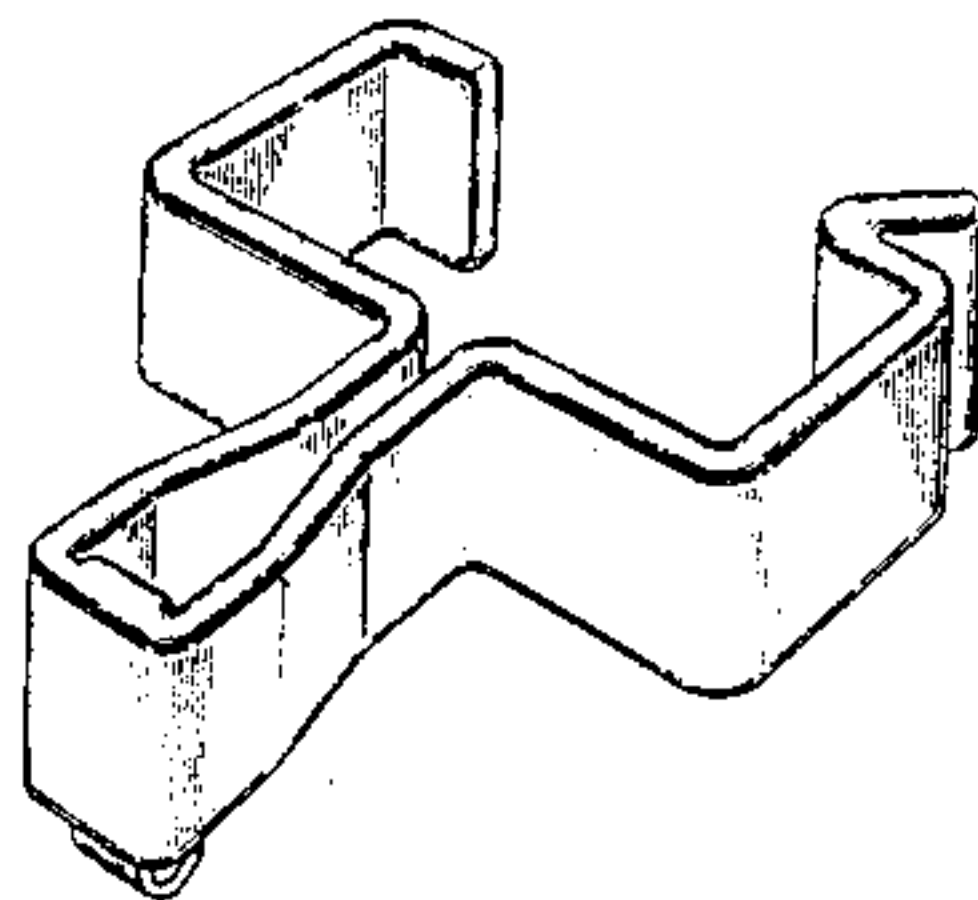
Attorney, Agent, or Firm—Peterson, Wicks, Nemer & Kamrath

[57] **CLAIM**

The ornamental design for a ladder rail clamp, as shown and described.

DESCRIPTION

FIG. 1 is a right perspective view of a ladder rail clamp embodying my new design;
FIG. 2 is a top plan thereof;
FIG. 3 is a bottom plan thereof;
FIG. 4 is a front elevation thereof;
FIG. 5 is a rear elevation thereof;
FIG. 6 is a left side elevation thereof, with a right side elevation being a mirror image thereof.



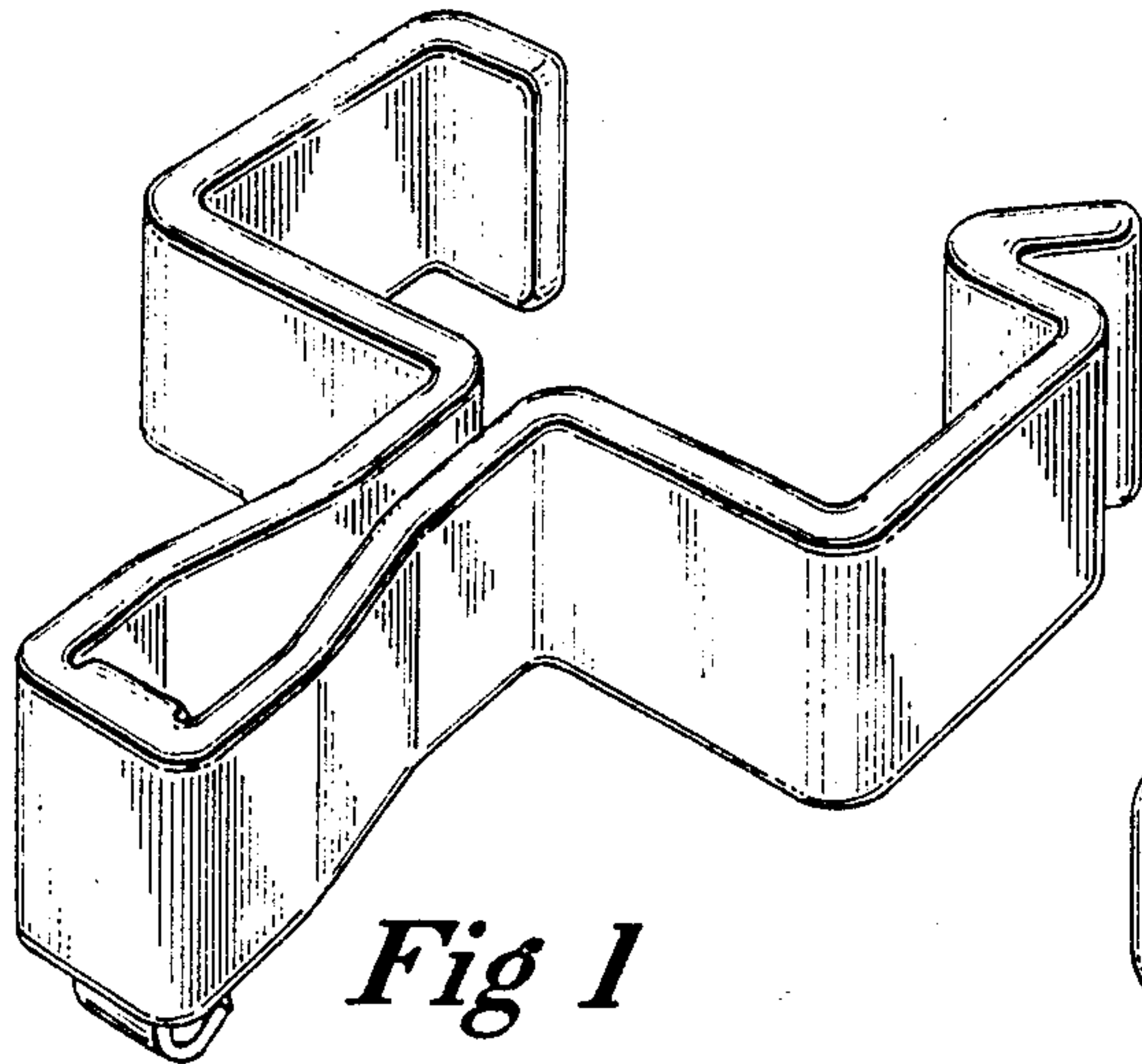


Fig 1

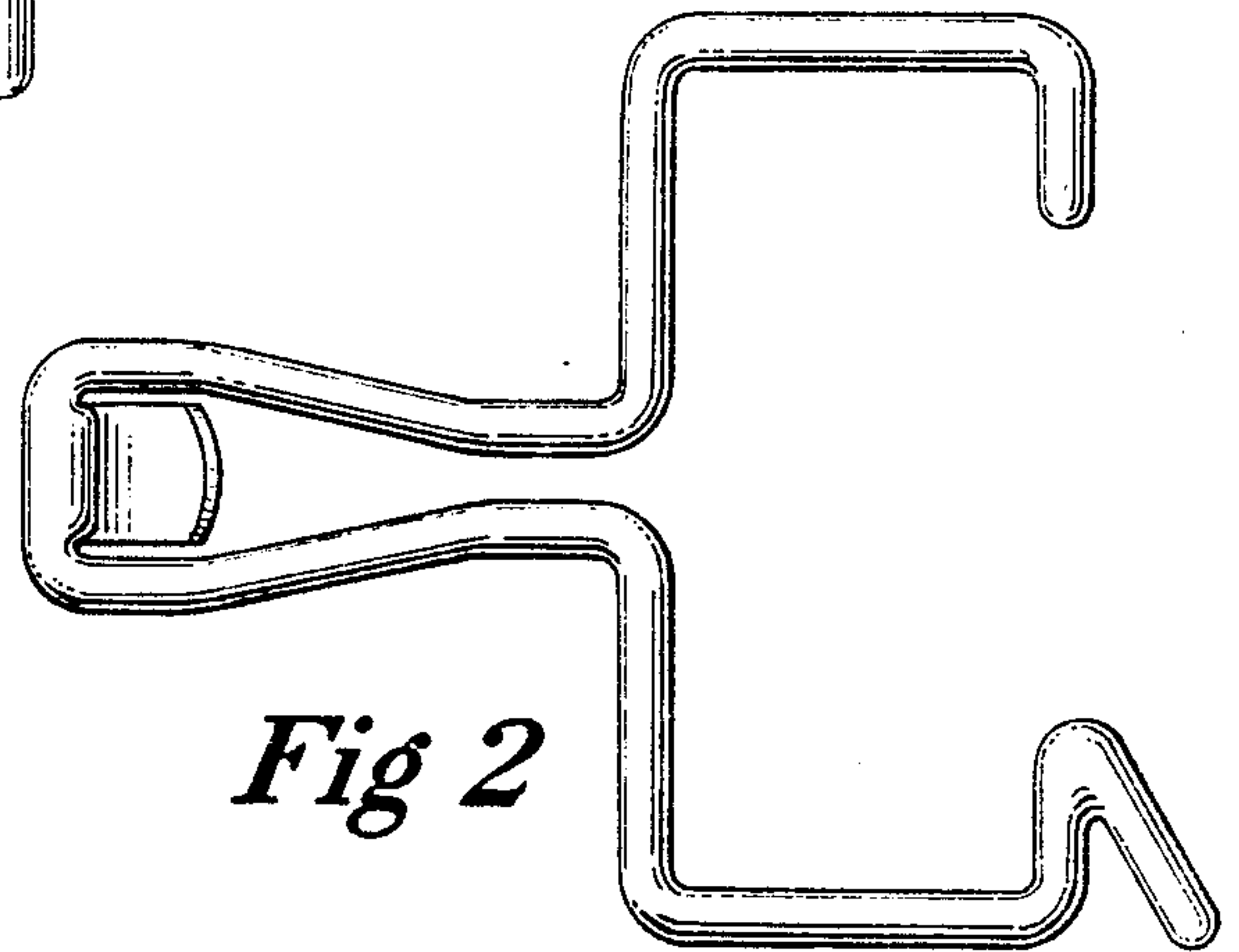


Fig 2

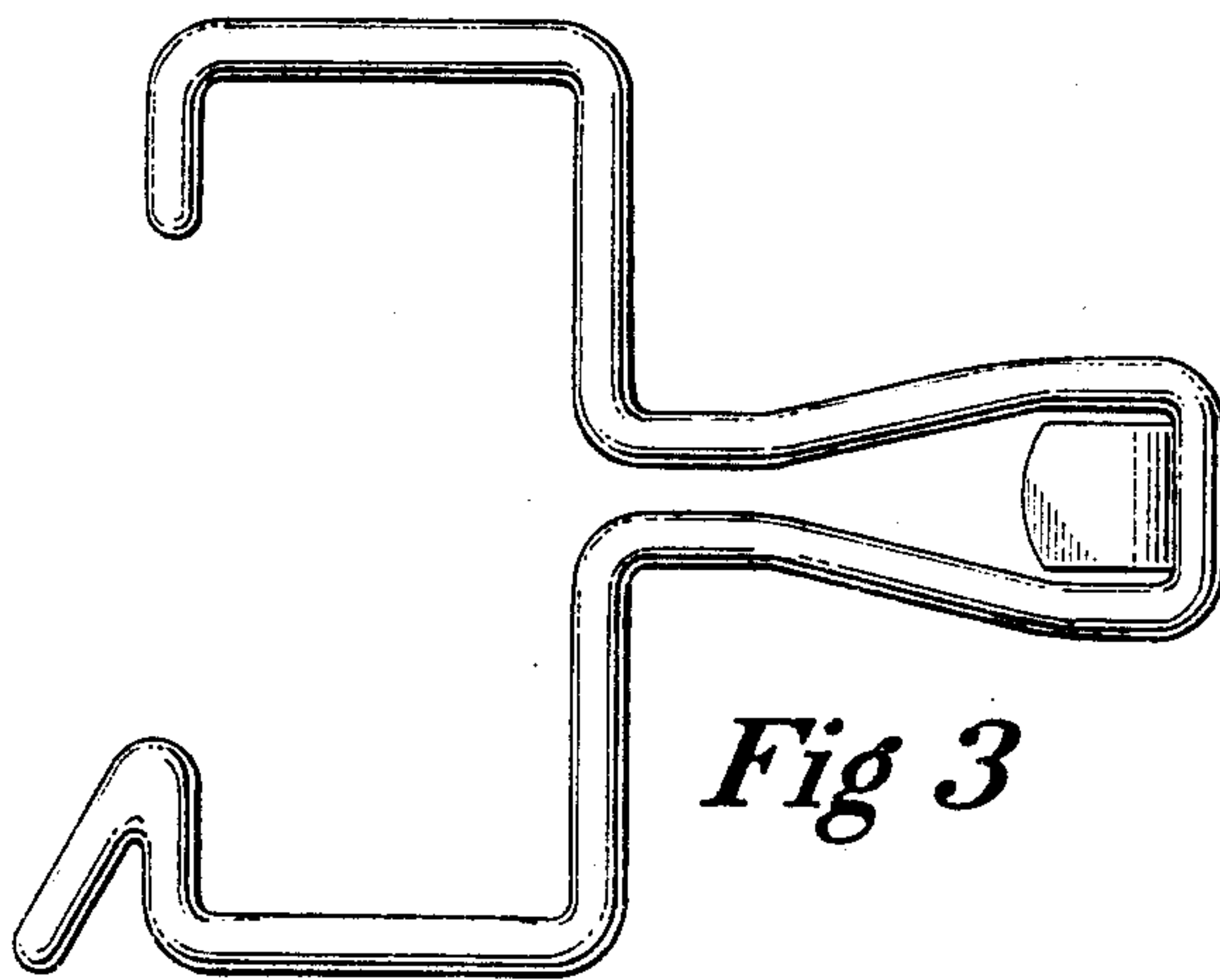


Fig 3

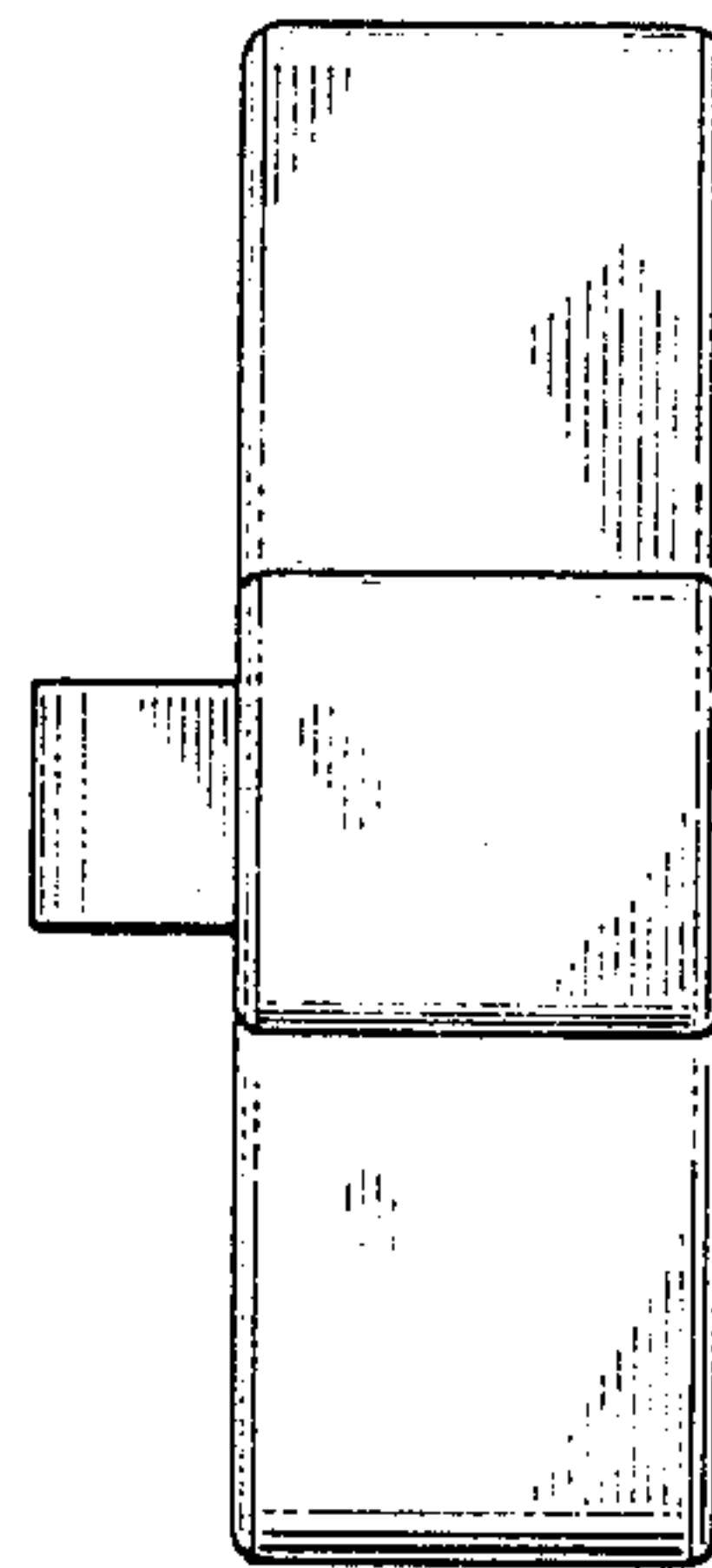


Fig 4

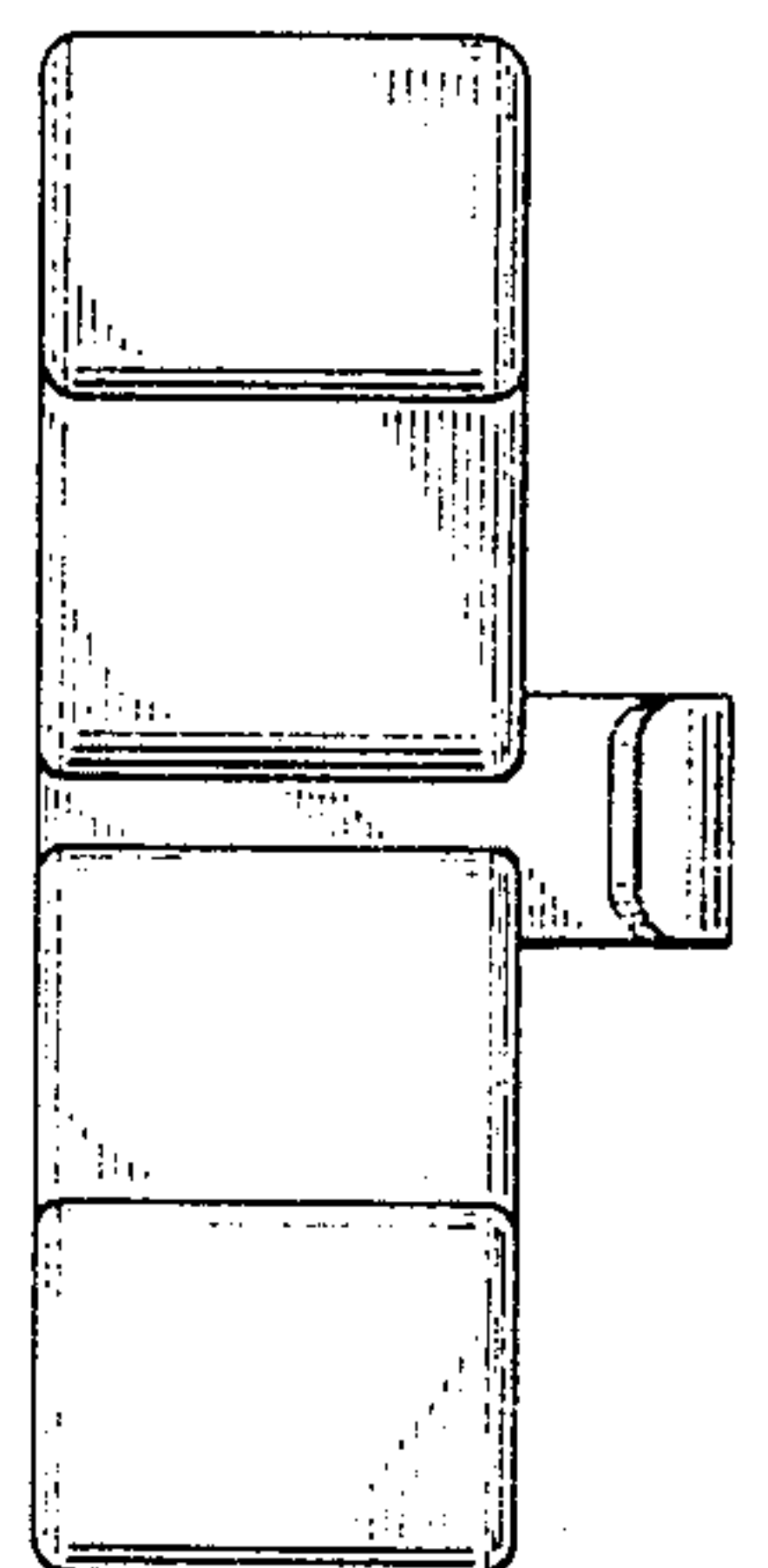


Fig 5

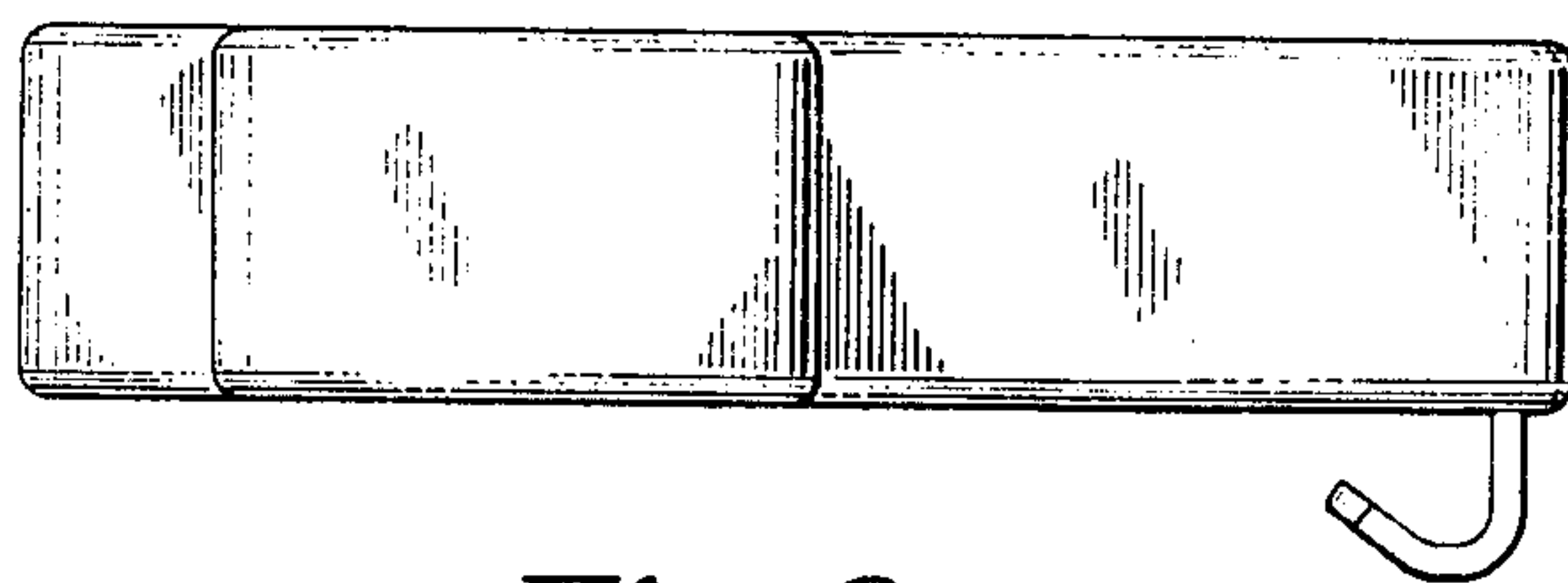


Fig 6