

[54] CASTOR FOR SUITCASE OR SIMILAR ARTICLE

4,026,570 5/1977 Feinberg ..... 16/30 X  
4,027,754 6/1977 Walker ..... 16/45 X

[76] Inventor: Yee-Juang Lin, No. 39, Lane 395, Shui Yuan Rd., Feng Yuan City, Taichung Hsien, Taiwan

Primary Examiner—Horace B. Fay, Jr.  
Attorney, Agent, or Firm—Browdy & Neimark

[\*\*] Term: 14 Years

[57] CLAIM

The ornamental design for castor for suitcase or similar article, as shown and described.

[21] Appl. No.: 947,764

DESCRIPTION

[22] Filed: Dec. 24, 1986

[52] U.S. Cl. .... D8/375; D34/23

[58] Field of Search ..... D8/375; D34/23; 16/29, 16/45, 30, 18 CG; 190/18 A

FIG. 1 is a left side elevational, top and front elevational perspective view of a castor for suitcase or similar article showing my new design;

FIGS. 2 and 3 are respectively top and bottom plan views thereof;

FIGS. 4 and 5 are respectively left and right side elevational views thereof;

FIGS. 6 and 7 are respectively front and rear elevational views thereof; and

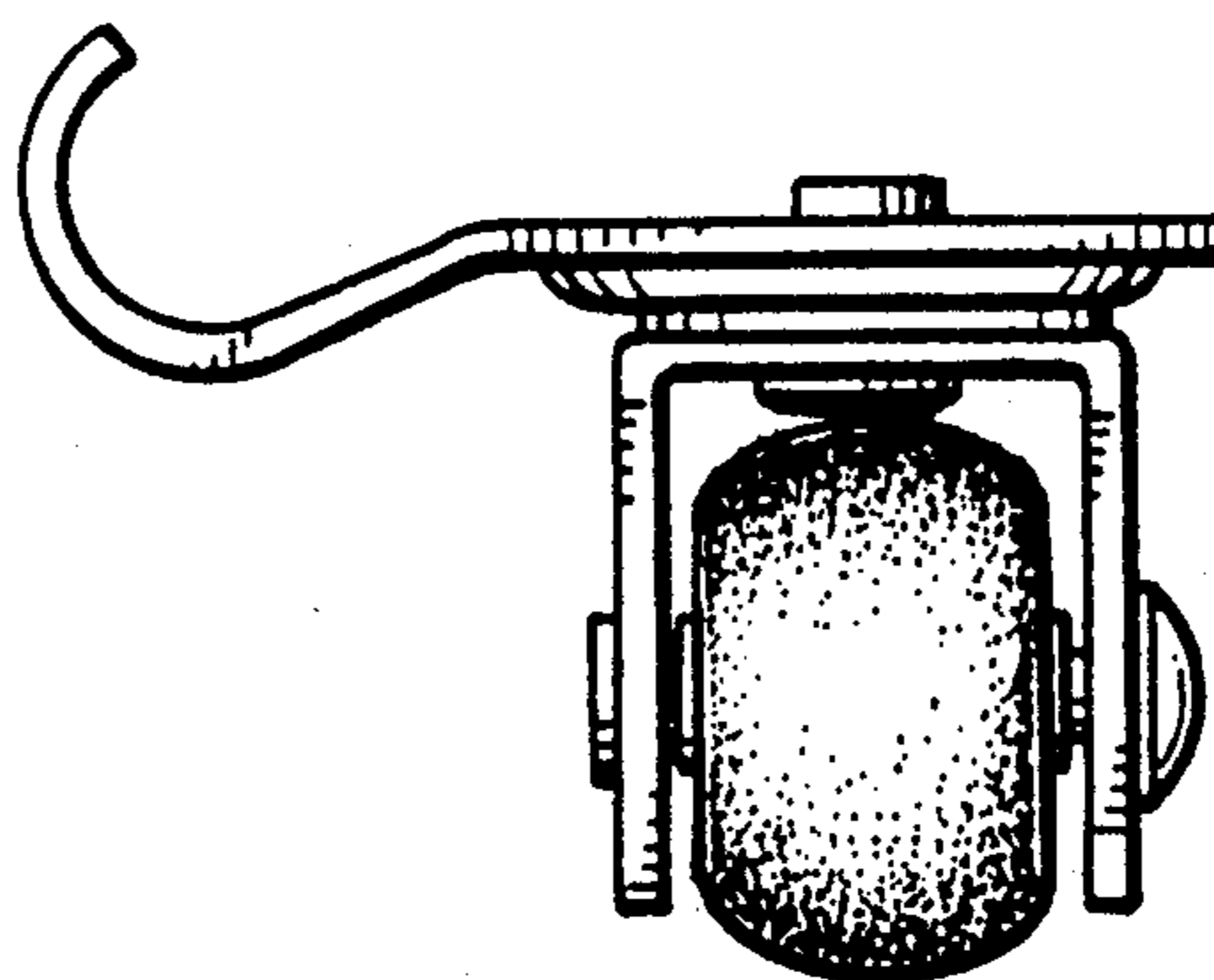
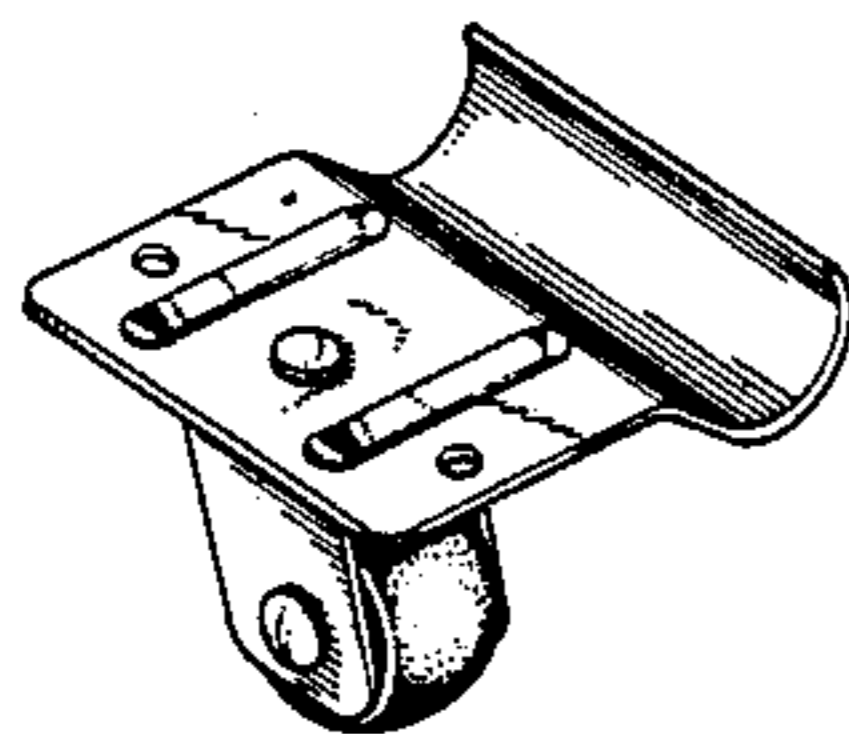
FIG. 8 is perspective view of the environment association of a broken suitcase illustrated in broken lines showing how the design embodiment is applied thereupon.

The broken line showing of a suitcase in FIG. 8 is for illustrative purposes only and forms no part of the claimed design.

[56] References Cited

U.S. PATENT DOCUMENTS

D. 3,596	8/1869	Burnett	.....	D8/375
D. 224,705	9/1972	McHison	.....	D8/375 X
D. 231,730	6/1974	Lee	.....	D34/23
D. 292,873	11/1987	Chen	.....	D8/375
1,456,395	5/1923	Moll et al.	.....	16/18 CG X
2,049,344	7/1936	Wittke, Jr.	.....	16/18 R X
3,090,637	5/1963	Black	.....	D34/23 X
3,163,268	12/1964	Leavell	.....	16/45 X
3,735,996	5/1973	Rath	.....	D34/23 X
4,007,512	2/1977	Oland	.....	16/19



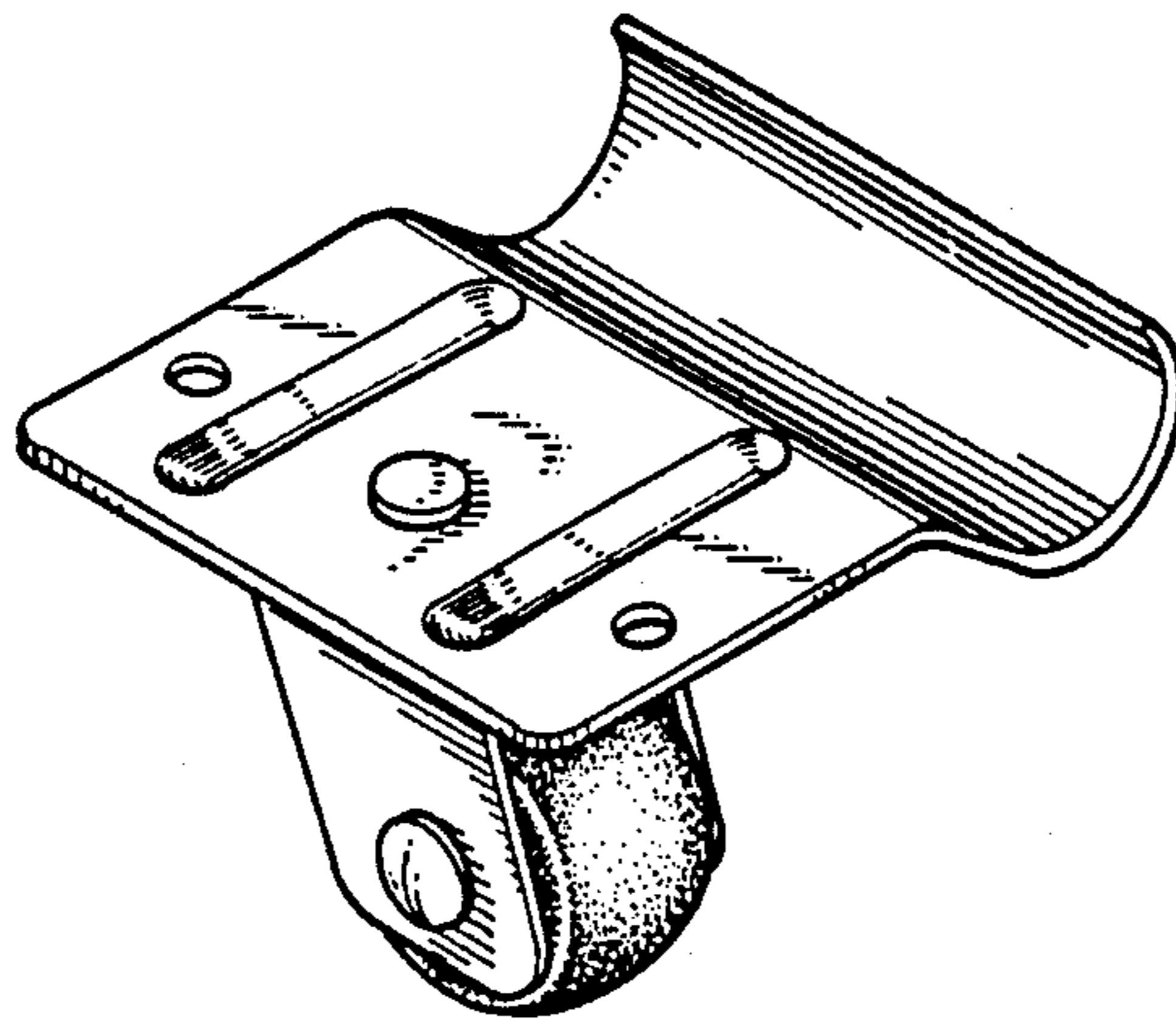


FIG. 1

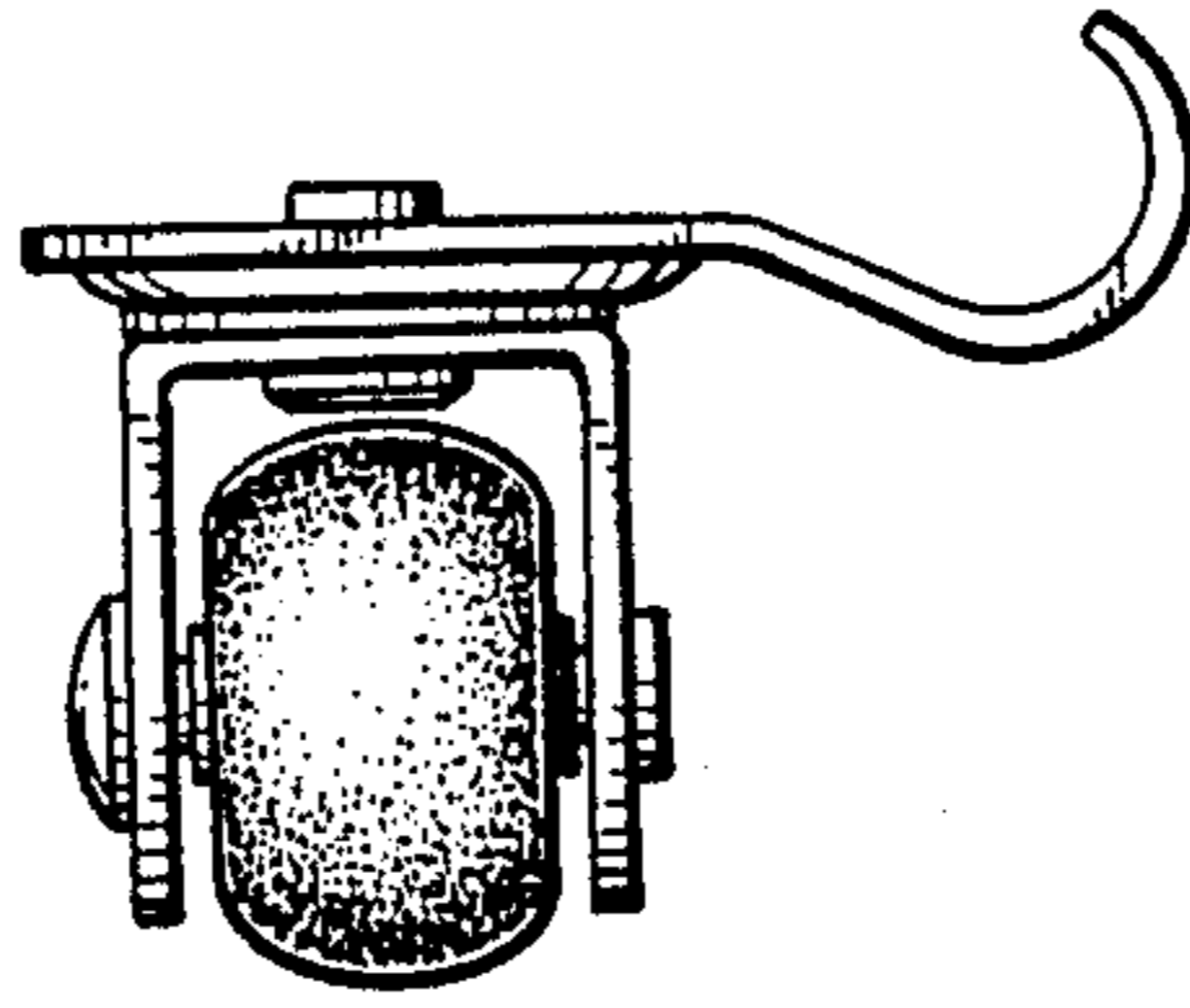


FIG. 6

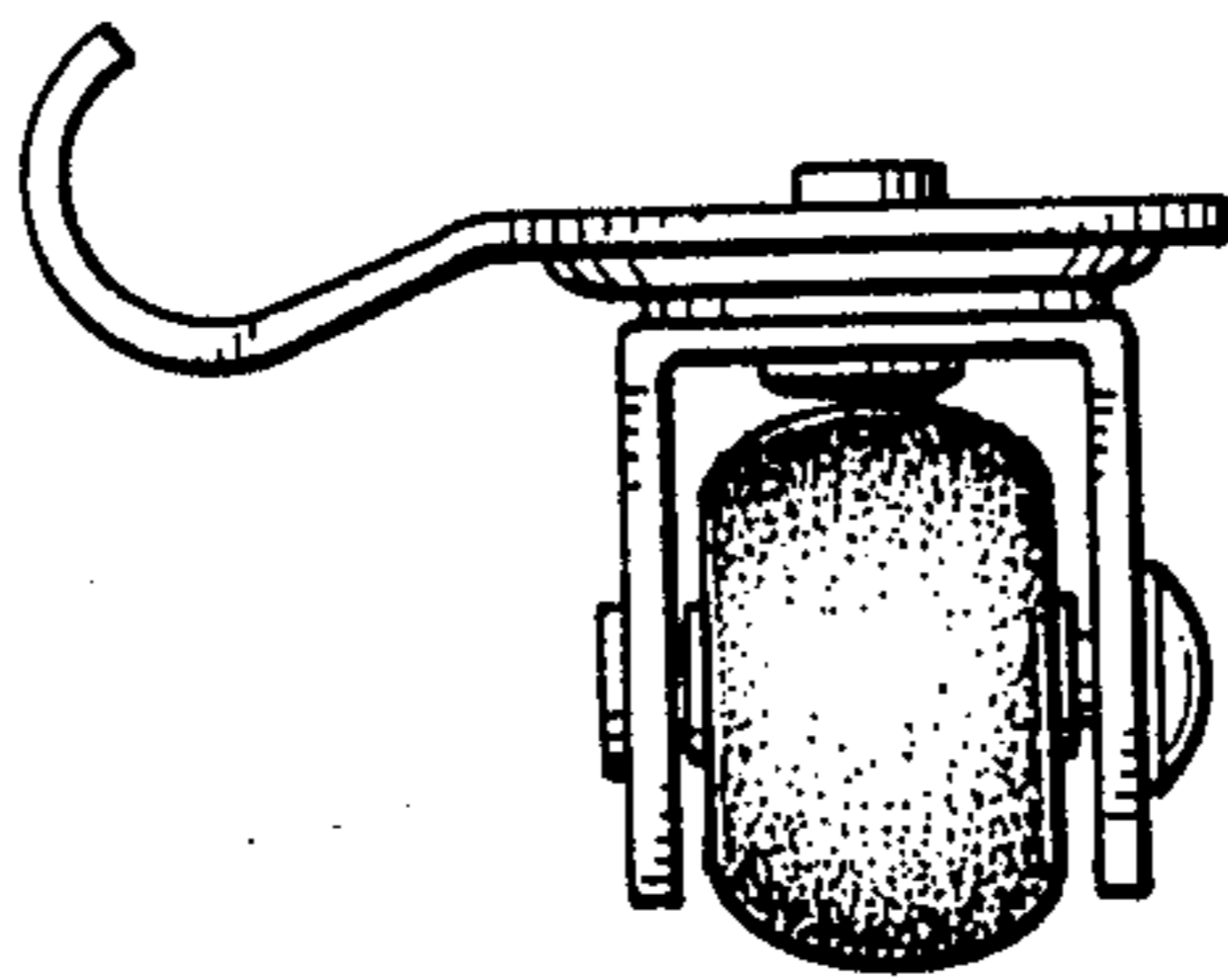


FIG. 7