

[54] ILLUMINATED HOLDER FOR COMBINATION PADLOCKS

[76] Inventor: David M. Coffman, 1235 E. Plymouth St., Glendora, Calif. 91740

[**] Term: 14 Years

[21] Appl. No.: 66,640

[22] Filed: Jun. 26, 1987

[52] U.S. Cl. D8/343; D8/346

[58] Field of Search D8/330, 334-335, D8/343-346; D26/51; 70/51-52, 54-56

[56] References Cited

U.S. PATENT DOCUMENTS

D. 296,519	7/1988	Newman et al.	D8/334
3,751,948	8/1973	Klein	70/55
4,555,920	12/1985	Stanich	70/54
4,576,022	3/1986	Gamble	70/55

FOREIGN PATENT DOCUMENTS

344118 11/1921 Fed. Rep. of Germany 70/55

Primary Examiner—A. Hugo Word .

Assistant Examiner—Brian N. Vinson

Attorney, Agent, or Firm—Edgar W. Averill, Jr.

[57] CLAIM

The ornamental design for an illuminated holder for combination padlocks, as shown and described.

DESCRIPTION

FIG. 1 is a top, front and left side perspective view of an illuminated holder for combination padlock showing my new design;

FIG. 2 is a left side elevational view thereof;

FIG. 3 is a front elevational view thereof;

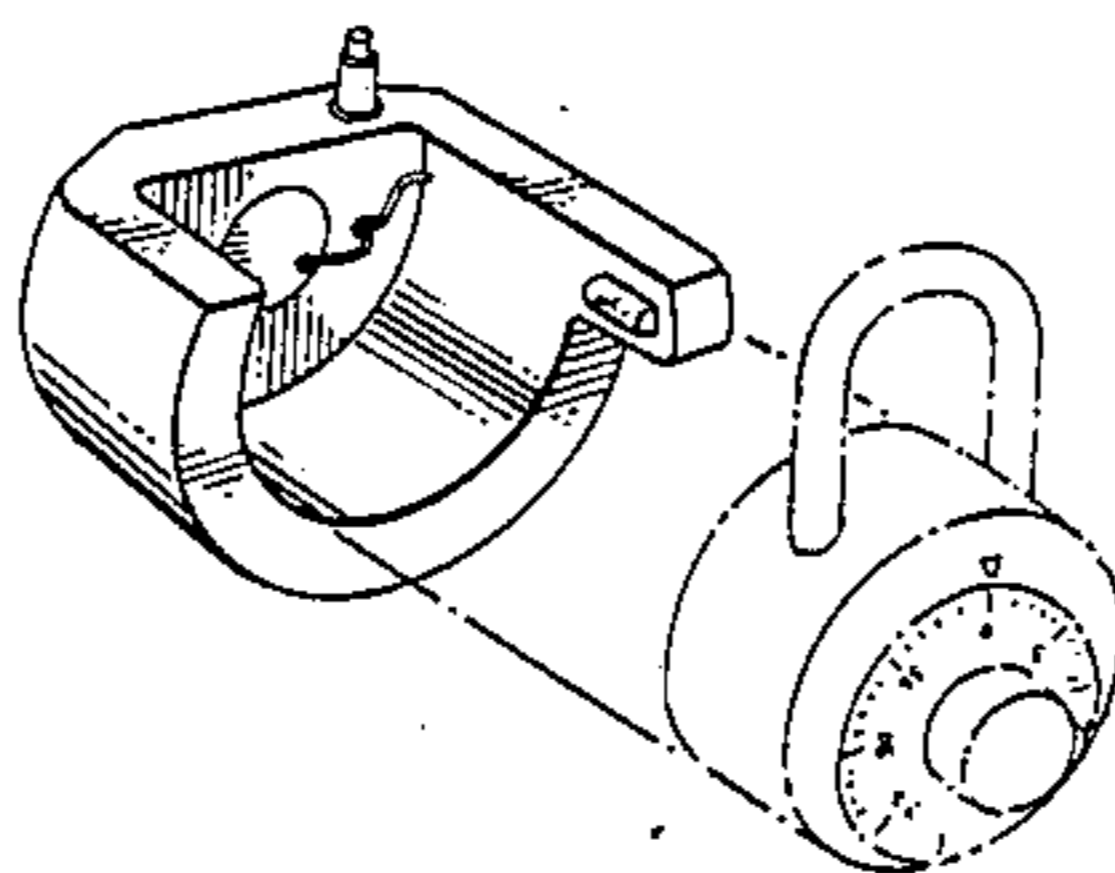
FIG. 4 is a right side elevational view thereof;

FIG. 5 is a top plan view thereof; and

FIG. 6 is bottom plan view thereof; and

FIG. 7 is a rear elevational view thereof.

The broken-line showing of the combination padlock in FIGS. 1 and 2 is for illustrative purposes only and forms no part of the claimed design.



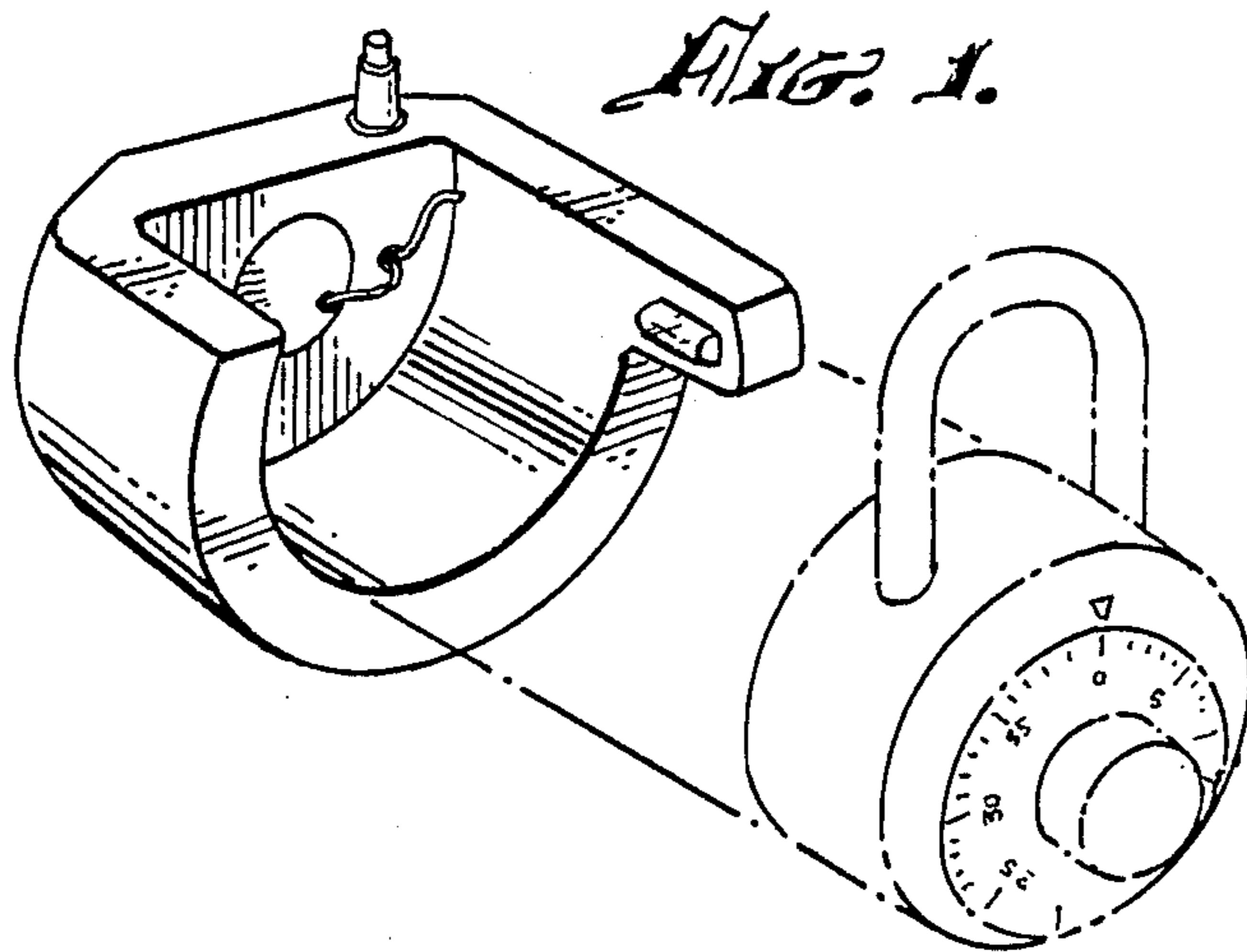


Fig. 1.

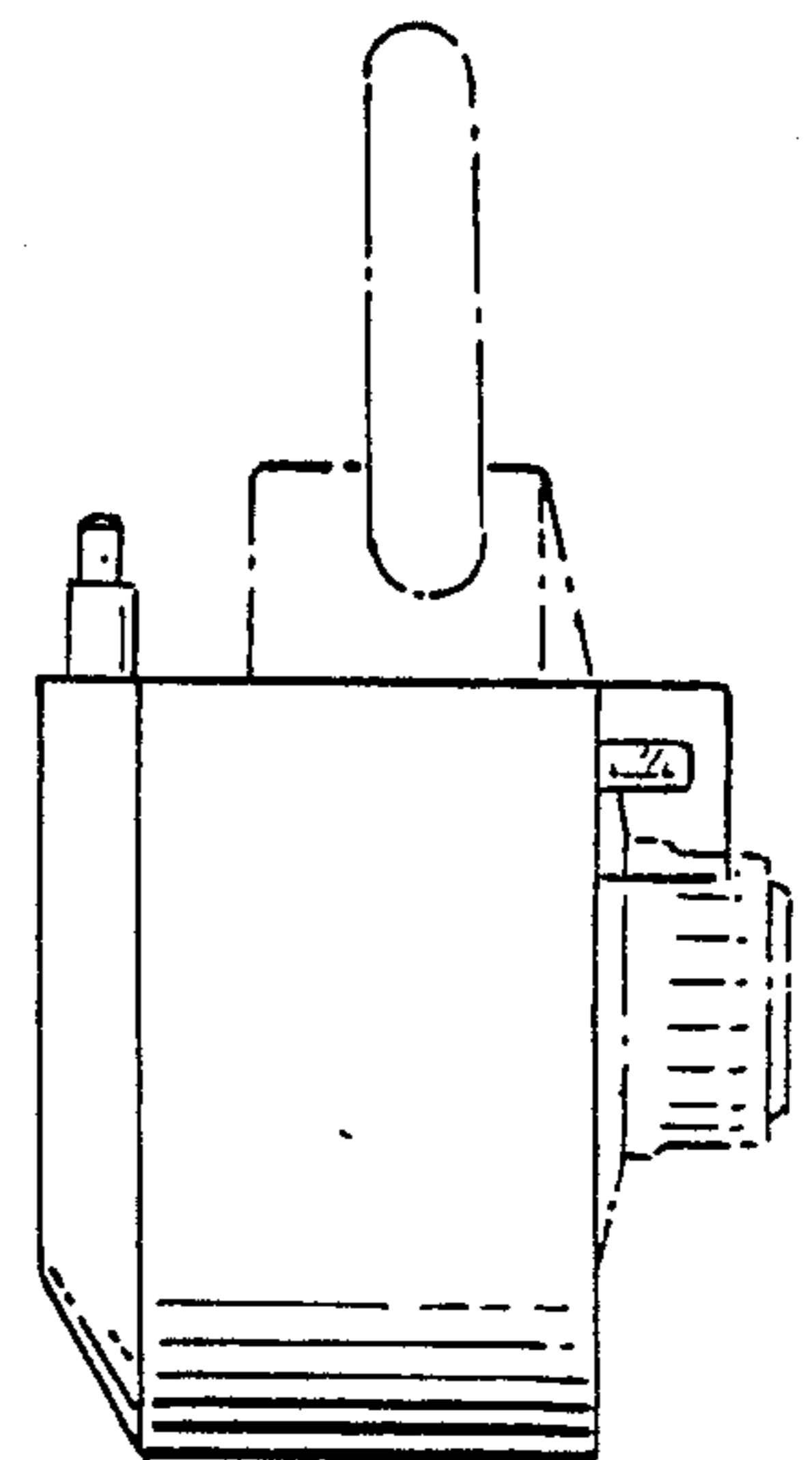


Fig. 2.

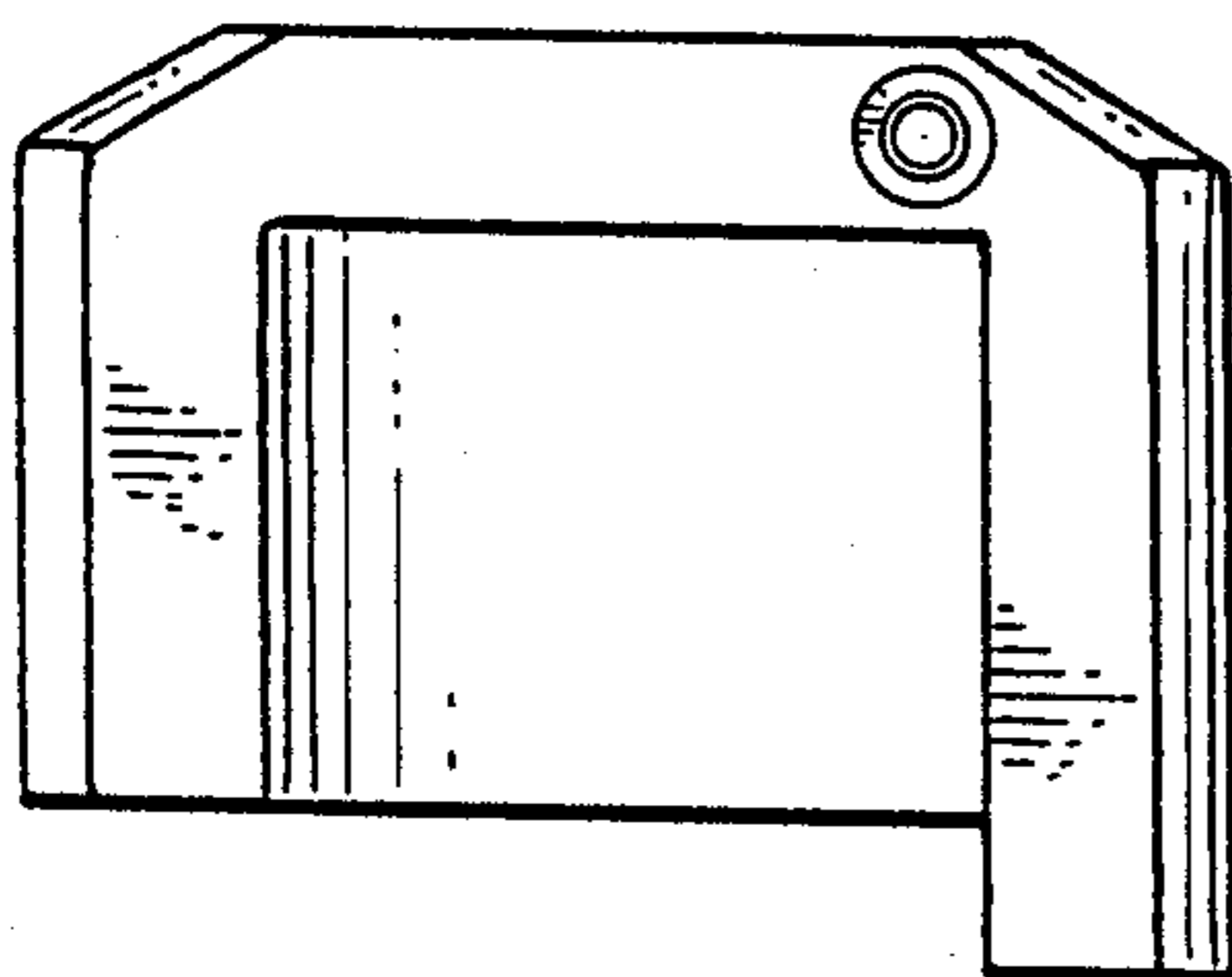


Fig. 5.

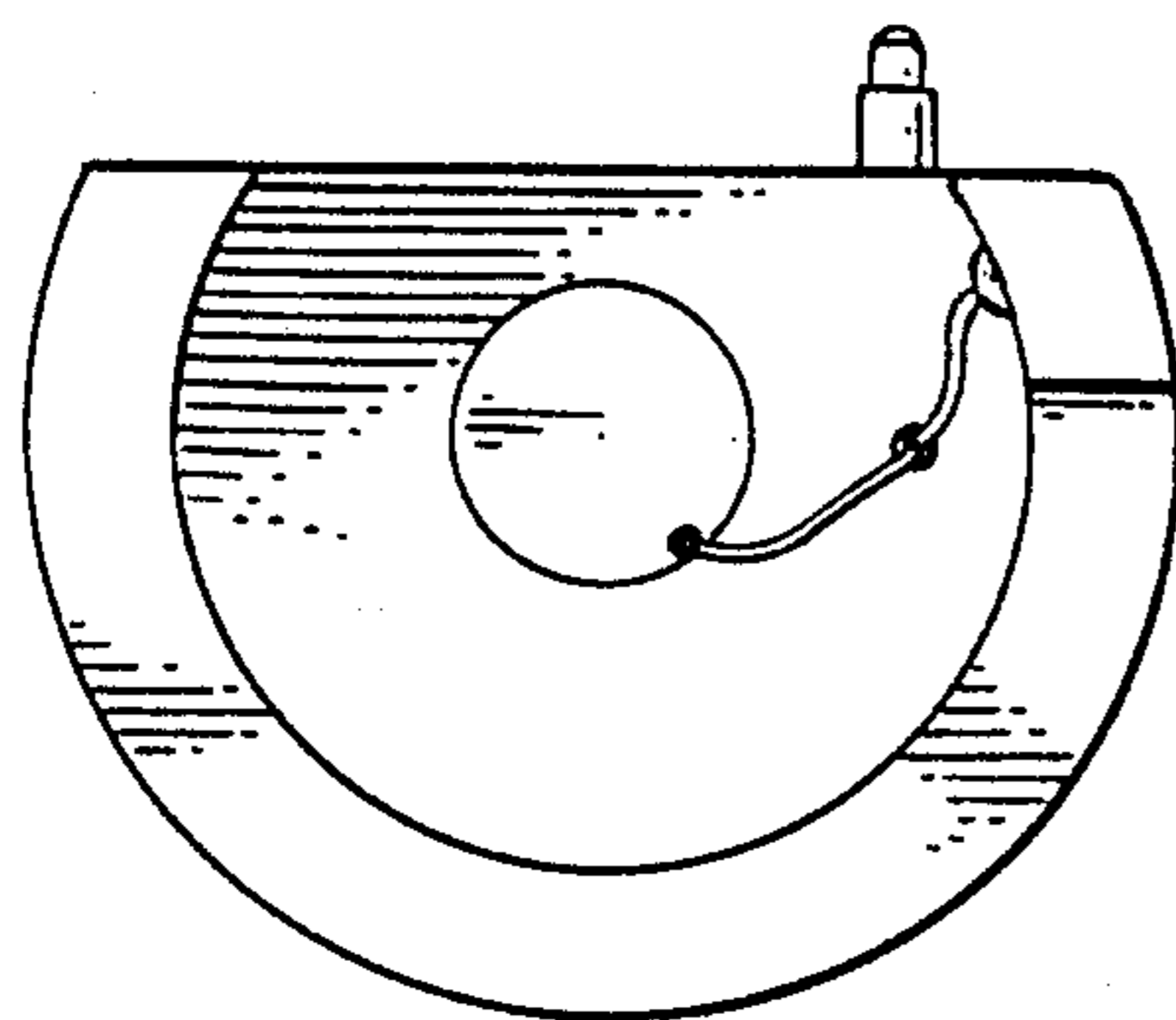


Fig. 3.

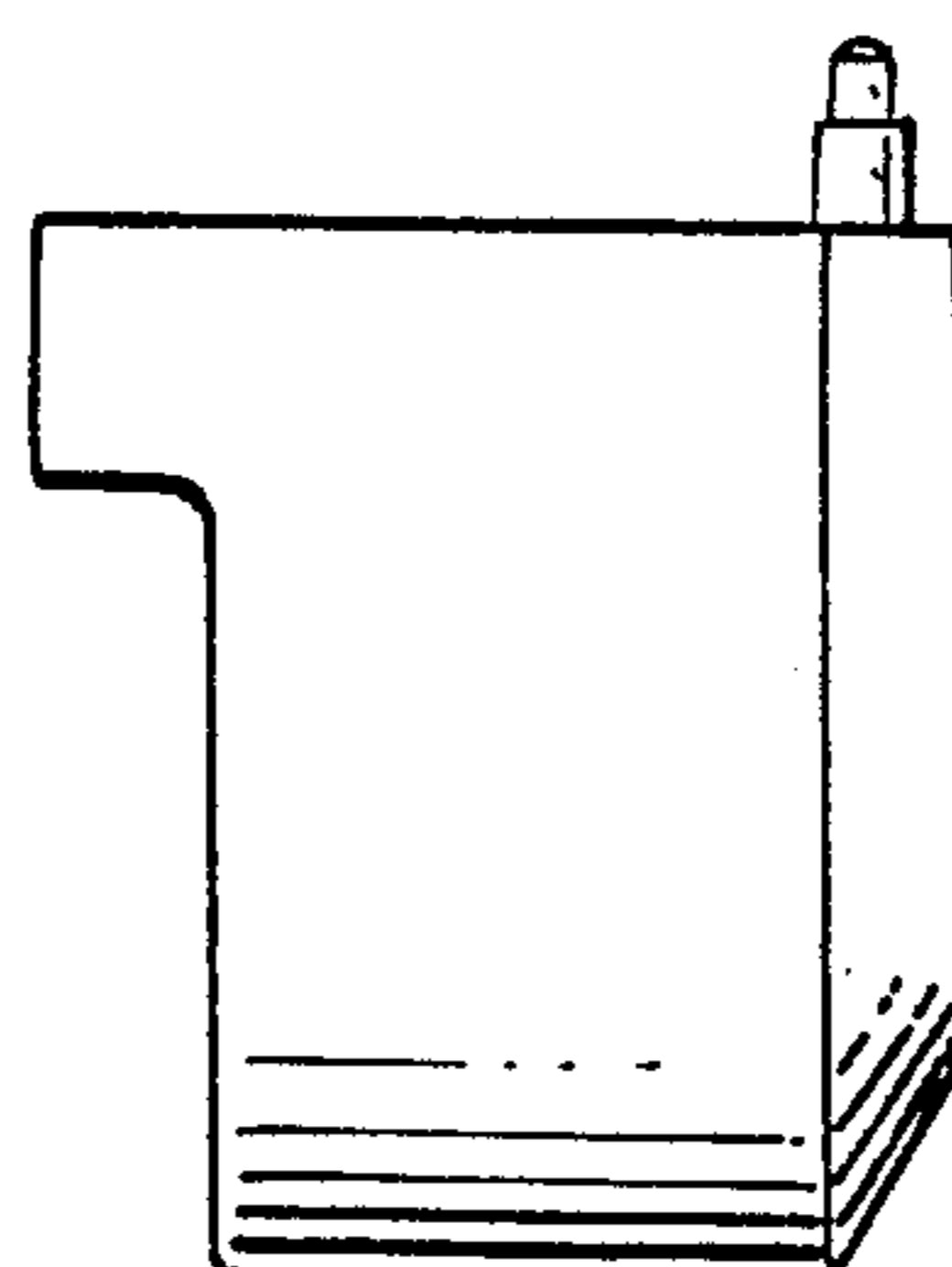


Fig. 4.

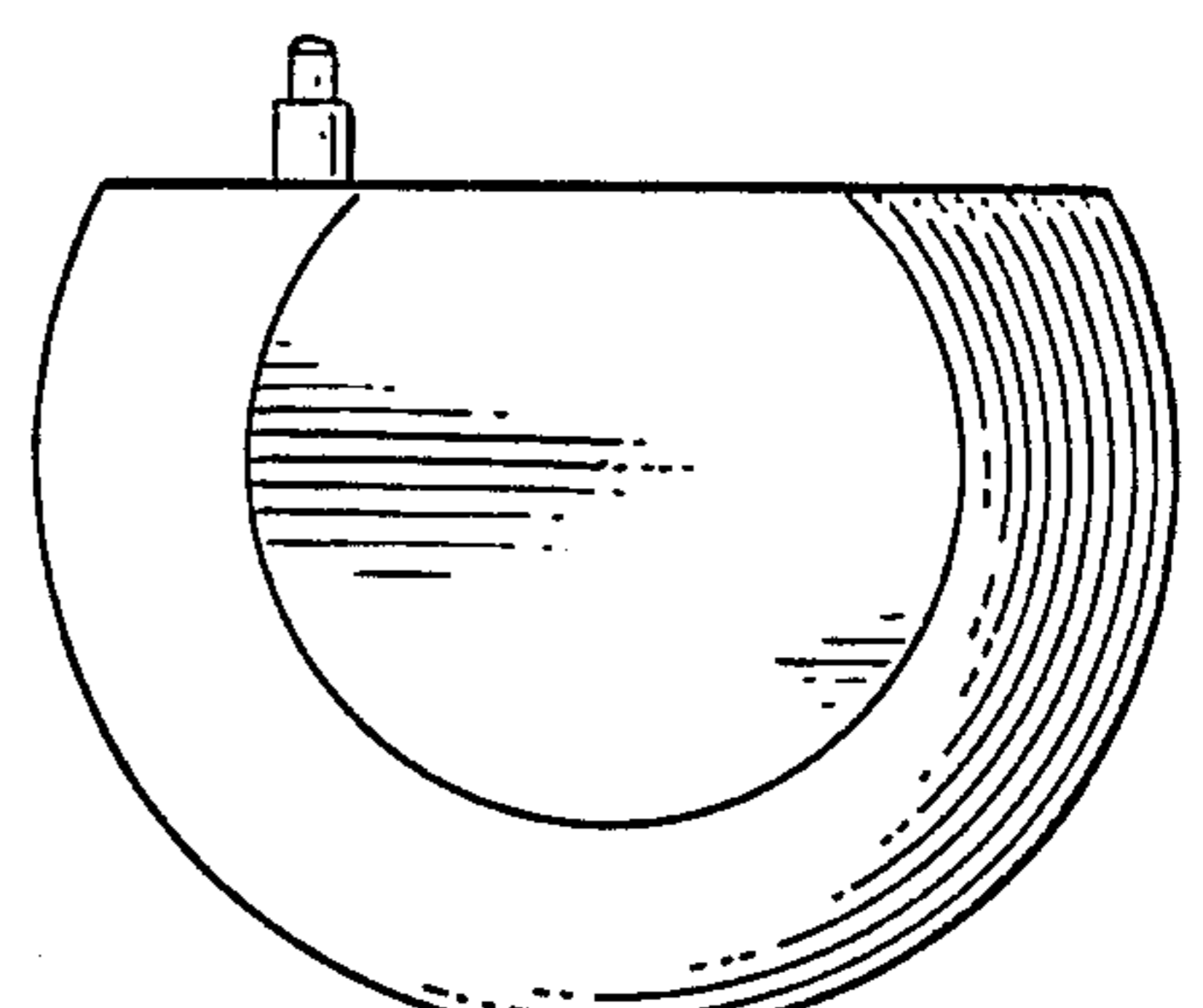


Fig. 7.

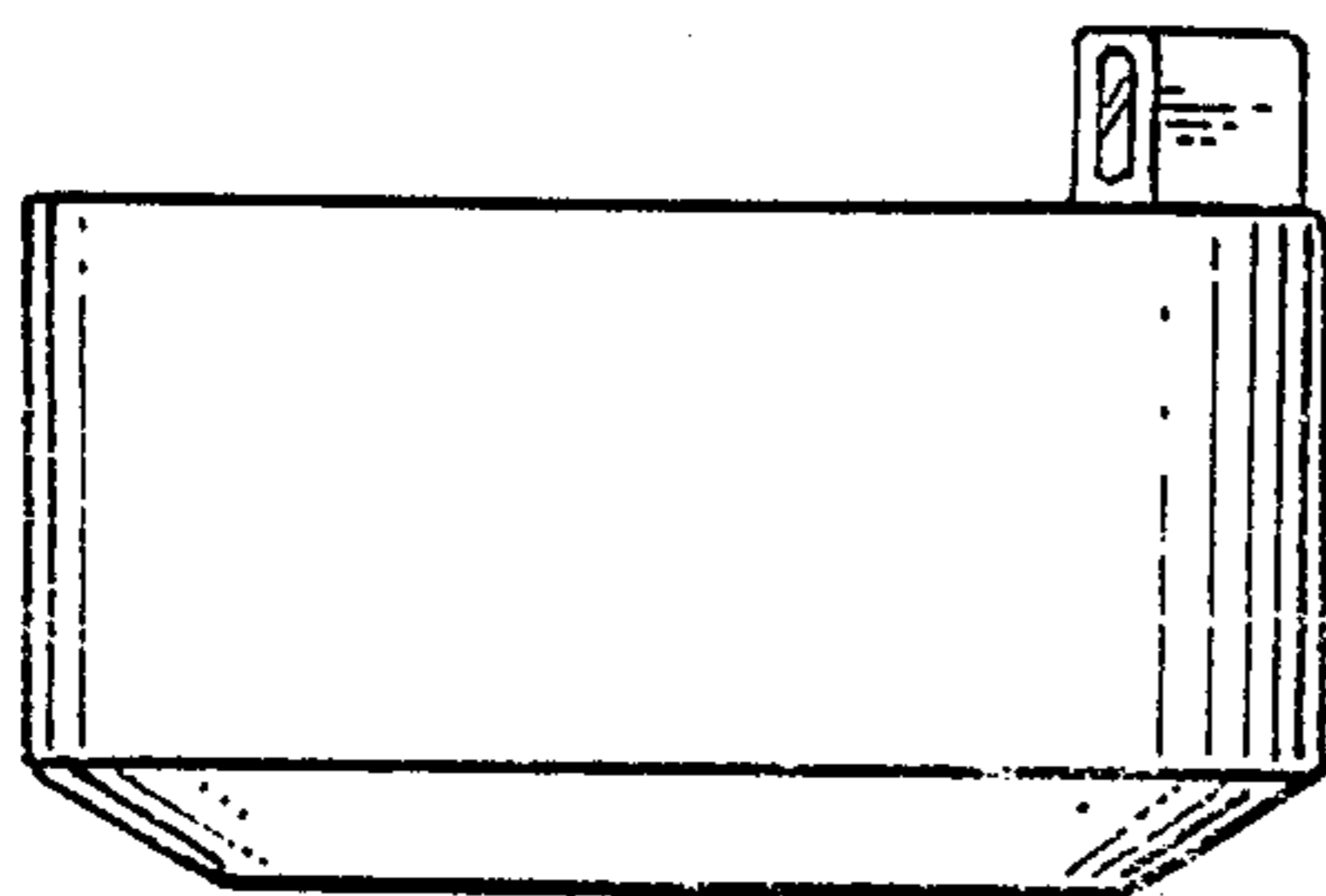


Fig. 6.