

[54] **HASP-TYPE LATCH**  
 [75] **Inventors: Louis G. Bobrowski, Berlin; Walter J. MacFarlane, Kensington; Richard L. Valenti, New Britain, all of Conn.**  
 [73] **Assignee: The Stanley Works, New Britain, Conn.**  
 [\*\*] **Term: 14 Years**  
 [21] **Appl. No.: 294,586**  
 [22] **Filed: Jan. 9, 1989**

**Related U.S. Application Data**

[62] **Division of Ser. No. 16,234, Feb. 19, 1987, Pat. No. Des. 301,971.**  
 [52] **U.S. Cl. .... D8/338; D8/336; D8/331**  
 [58] **Field of Search .... D8/330-331, D8/336, 338, 345; 292/281, 285, 340, 341.14; 70/2, 5, 7, 13, 133, 136, 138-139, 119, 312; 222/470**

[56] **References Cited**

**U.S. PATENT DOCUMENTS**

162,486 4/1875 McConway .  
 404,080 5/1889 Frost .  
 511,933 1/1894 Cottier ..... 292/285  
 597,712 1/1898 Eldridge .  
 682,657 9/1901 Wirt .  
 906,528 12/1908 Hulbert ..... 292/285  
 1,141,542 6/1915 Hart ..... 292/281 X  
 1,195,493 8/1916 Nedrow ..... 222/470 X  
 1,335,959 4/1920 Flagg .  
 1,508,384 8/1921 Drake ..... 292/285  
 1,574,348 2/1926 Hager .  
 1,992,734 10/1932 Bittorf ..... 292/340  
 2,046,078 6/1936 Marshall ..... 292/281  
 2,067,255 1/1937 Bittorf ..... 292/281  
 2,267,374 6/1940 Eber ..... 70/5  
 2,428,207 12/1944 Dzurinda ..... 292/340  
 2,520,742 8/1946 Soref et al. .... 292/281  
 3,416,338 11/1966 Gehrie ..... 70/312  
 3,476,429 11/1969 Foote ..... 292/281  
 3,527,070 9/1970 Sato ..... 70/133  
 3,707,861 1/1973 Lindner ..... 70/312 X  
 3,787,082 1/1974 Foote ..... 292/281  
 3,845,644 11/1974 Lindner ..... 70/312 X

3,942,344 3/1976 Gehrie et al. .... 70/312 X  
 4,079,974 3/1978 Roper ..... 292/281  
 4,100,775 7/1978 Bako ..... 70/312 X  
 4,168,616 9/1979 Goldman ..... 70/119  
 4,259,856 4/1981 Wingert ..... 70/312 X  
 4,267,716 5/1981 Milles ..... 70/312 X  
 4,279,136 7/1981 Milles ..... 70/312 X  
 4,290,286 9/1981 Rae ..... 70/312 X  
 4,308,731 1/1982 Remington ..... 70/312 X  
 4,318,287 3/1982 Remington et al. .... 70/312 X  
 4,324,120 4/1982 Gisiger ..... 70/312  
 4,327,566 5/1982 Ling ..... 70/312  
 4,341,101 7/1982 Bako ..... 70/312  
 4,343,163 8/1982 Scelba et al. .... 70/312  
 4,348,878 9/1982 Chang ..... 70/312 X  
 4,354,366 10/1982 Bako ..... 70/312  
 4,355,524 10/1982 Bako ..... 70/312  
 4,366,684 1/1983 Bako et al. .... 70/312 X  
 4,366,685 1/1983 Remington ..... 70/312 X  
 4,366,686 1/1983 Remington et al. .... 70/312 X  
 4,366,687 1/1983 Atkinson ..... 70/312 X  
 4,383,425 5/1983 Orabona ..... 70/312  
 4,389,863 6/1983 Bako ..... 70/312  
 4,395,892 8/1983 Remington .  
 4,403,799 9/1983 Kafka et al. .... 292/285  
 4,420,953 12/1983 Remington ..... 70/312 X  
 4,420,956 12/1983 Li ..... 70/312  
 4,441,346 4/1984 Castiglioni ..... 70/312  
 4,450,698 5/1984 Scelba ..... 70/312  
 4,462,232 7/1984 Vang ..... 70/312  
 4,467,628 8/1984 Zampini, Jr. .... 70/312  
 4,487,043 12/1984 Milles ..... 70/312

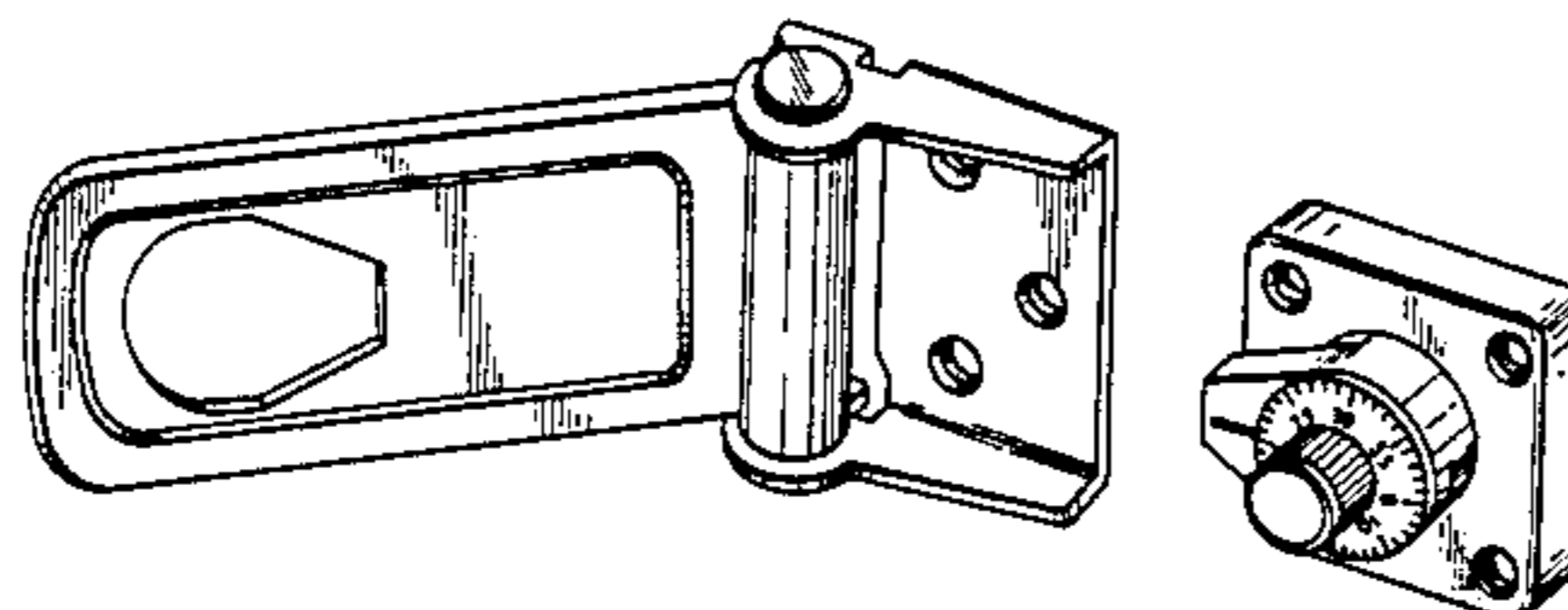
**OTHER PUBLICATIONS**

Skymaker Catalogue (1985), p. 12-Locking Hasp, #BL138.  
 Eberhard Catalogue (1985), p. 15, Section 3, Hinge #5867.  
 Berger Mfg. Catalogue #296 (1937), p. 21, Lock #AL-2.  
 Photographs of Hasp-Type (Undated-submitted by Applicant) by Alliance Tool.

*Primary Examiner*—Wallace R. Burke  
*Assistant Examiner*—Brian N. Vinson

[57] **CLAIM**

The ornamental design for a hasp-type latch, as shown and described.



**DESCRIPTION**

**FIG. 1** is a top, front and side perspective view of a hasp-type latch showing our new design, the leaf portion being pivoted to an open position;

**FIG. 2** is a front elevational view thereof, with the leaf

portion shown in a closed position and the undisclosed rear being plain and unornamented;

**FIG. 3** is a bottom plan view thereof, with the leaf portion shown in a closed position; and

**FIG. 4** is a front elevational view thereof, with the leaf portion shown in a closed position and the post member rotated into latching position.

FIG. 1

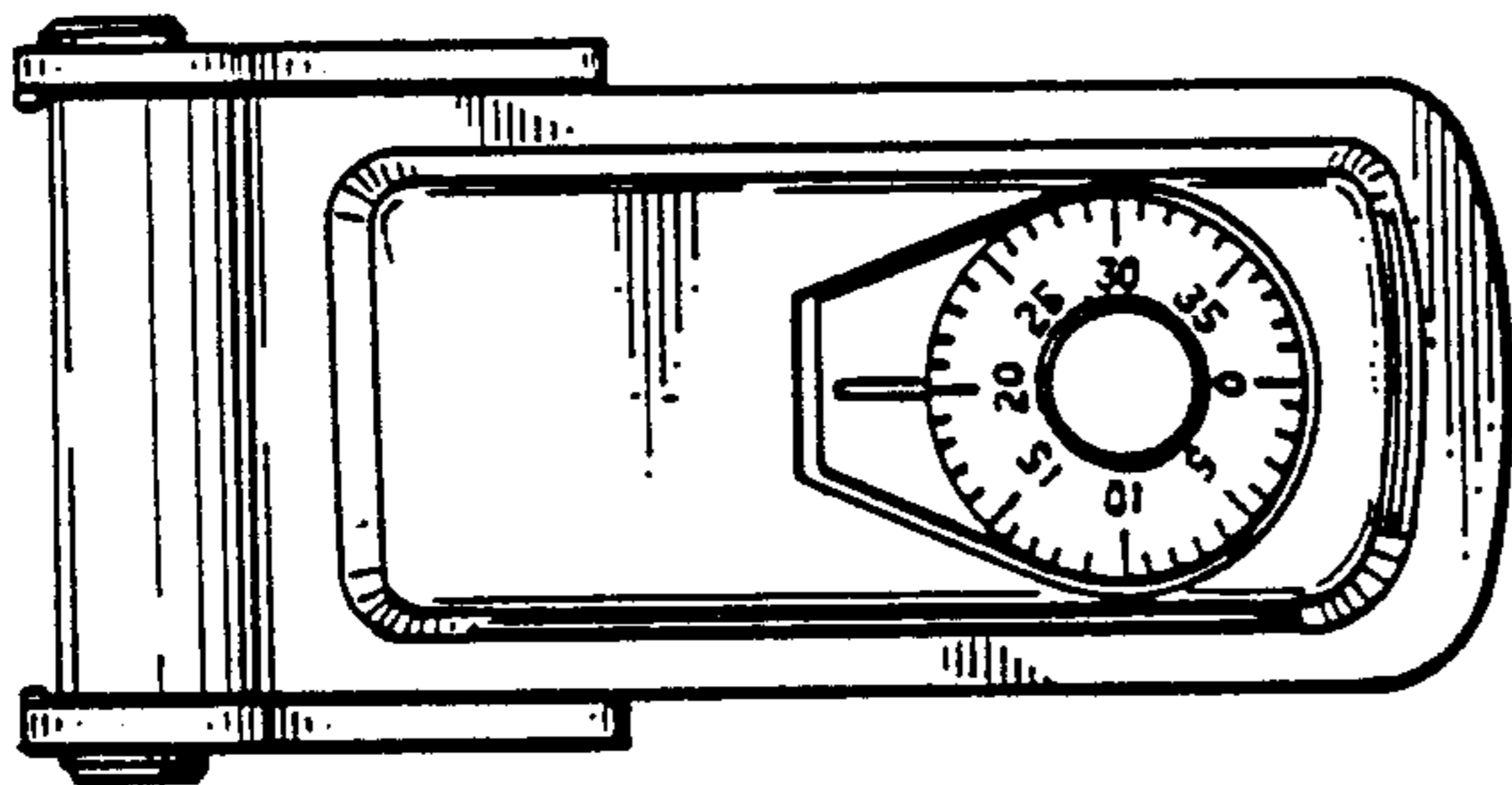
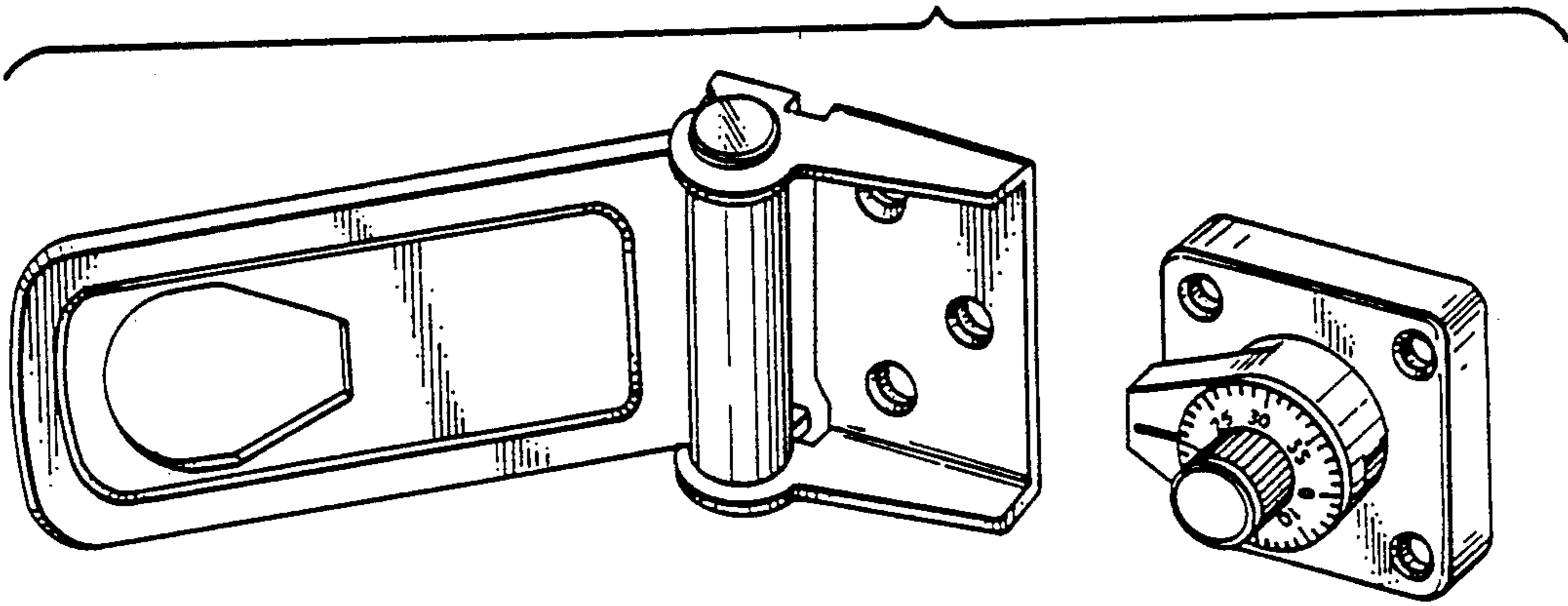


FIG. 2

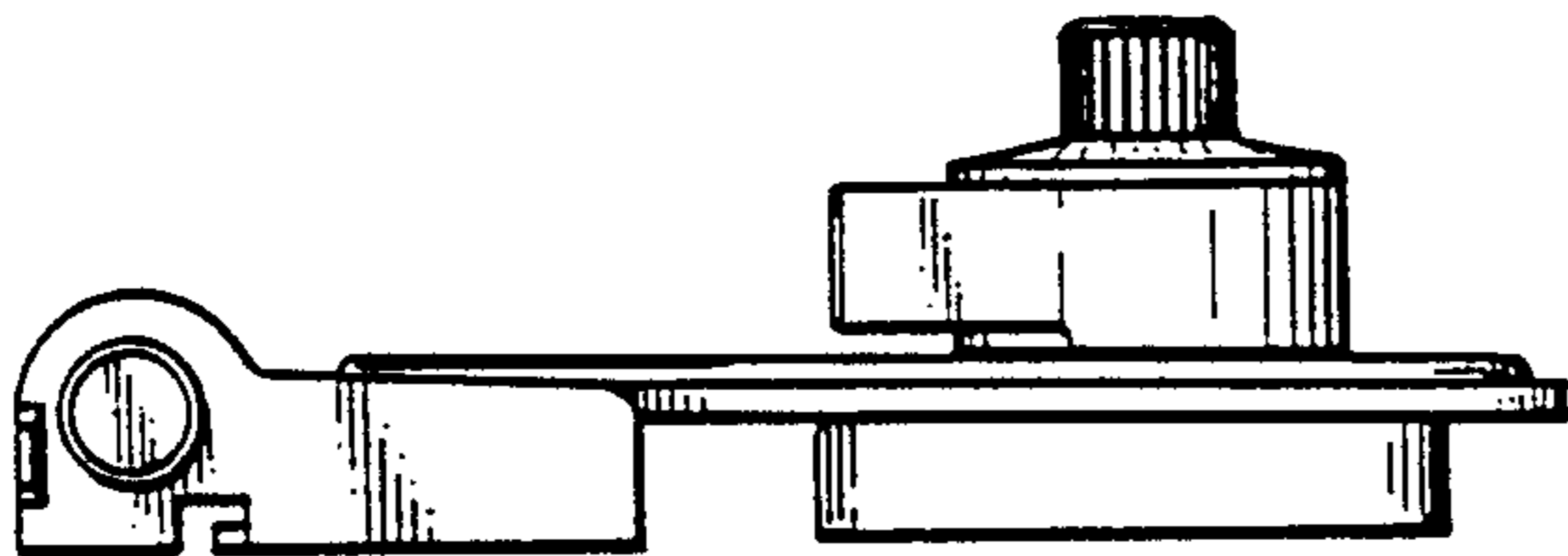


FIG. 3

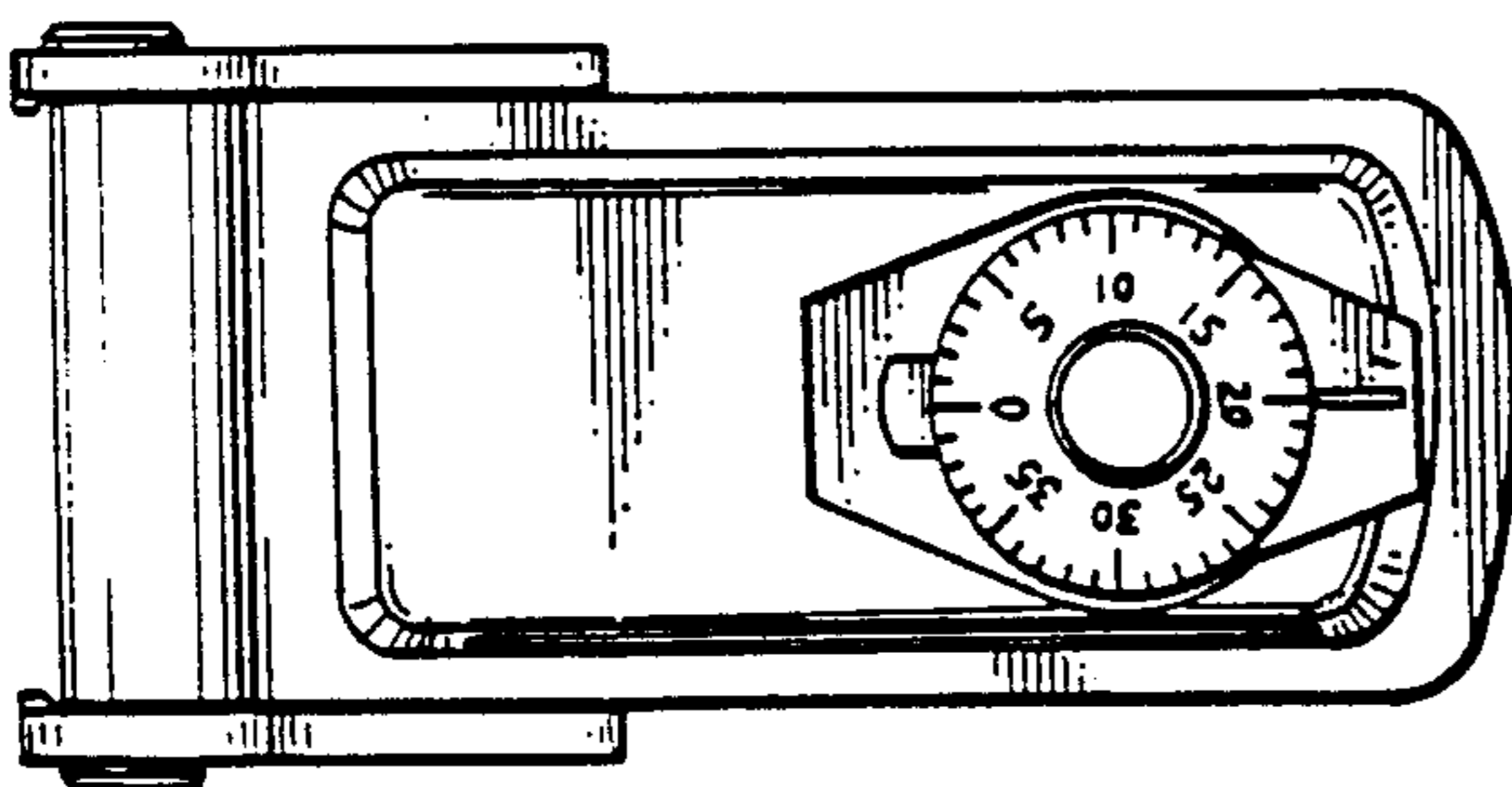


FIG. 4