

# United States Patent [19]

Graham, deceased et al.

[11] Patent Number: **Des. 306,127**

[45] Date of Patent: **\*\* Feb. 20, 1990**

[54] **COLLAPSIBLE WRENCH SET**

[75] Inventors: **Charles H. Graham, deceased**, late of Lava Hot Springs, Id.; by Scott H. Hogan, special administrator, Bountiful, Utah

[73] Assignee: **Chain-Tool Company, Inc.**, North Salt Lake, Utah

[\*\*] Term: **14 Years**

[21] Appl. No.: **910**

[22] Filed: **Dec. 31, 1986**

[52] U.S. Cl. .... **D8/105; D8/21; D8/22**

[58] Field of Search ..... **D8/14, 21-29, D8/51, 105; 81/177.2, 177.6, 177.4, 177.8, 124.5, 437; 7/138**

[56] **References Cited**

**U.S. PATENT DOCUMENTS**

384,592	6/1888	Ross	7/138
472,147	4/1892	Sullivan	81/437
992,913	5/1911	Seils	81/177.8
1,169,496	1/1916	Knauff	81/177.6
1,316,398	9/1919	Steininger	81/177.8
2,097,361	10/1937	Bagley	81/177.6
2,199,899	5/1940	Watson	81/437
2,426,763	9/1947	Curtis	81/177.8
2,504,345	4/1950	Nellis	7/138

2,951,405	9/1960	Engquist	81/177.8
3,039,339	6/1962	Hanson	81/177.2
3,138,983	6/1964	Frizzell	81/177.6
3,188,895	6/1965	Jones	81/177.2
3,203,285	8/1965	Schmidt	81/177.6
4,269,311	5/1981	Rich	81/177.2
4,384,499	5/1983	Shockley	81/177.4
4,606,247	8/1986	Graham	81/177.6

**FOREIGN PATENT DOCUMENTS**

1240971 8/1960 France ..... 81/124.5

*Primary Examiner*—Bruce W. Dunkins

*Assistant Examiner*—Clare E. Heflin

[57] **CLAIM**

The ornamental design for a collapsible wrench set, as shown.

**DESCRIPTION**

FIG. 1 is a top perspective view of the collapsible wrench set showing my new design in the open position;

FIG. 2 is a top perspective view of the collapsible wrench set showing my new design in the collapsed position;

FIG. 3 is a top plan view thereof;

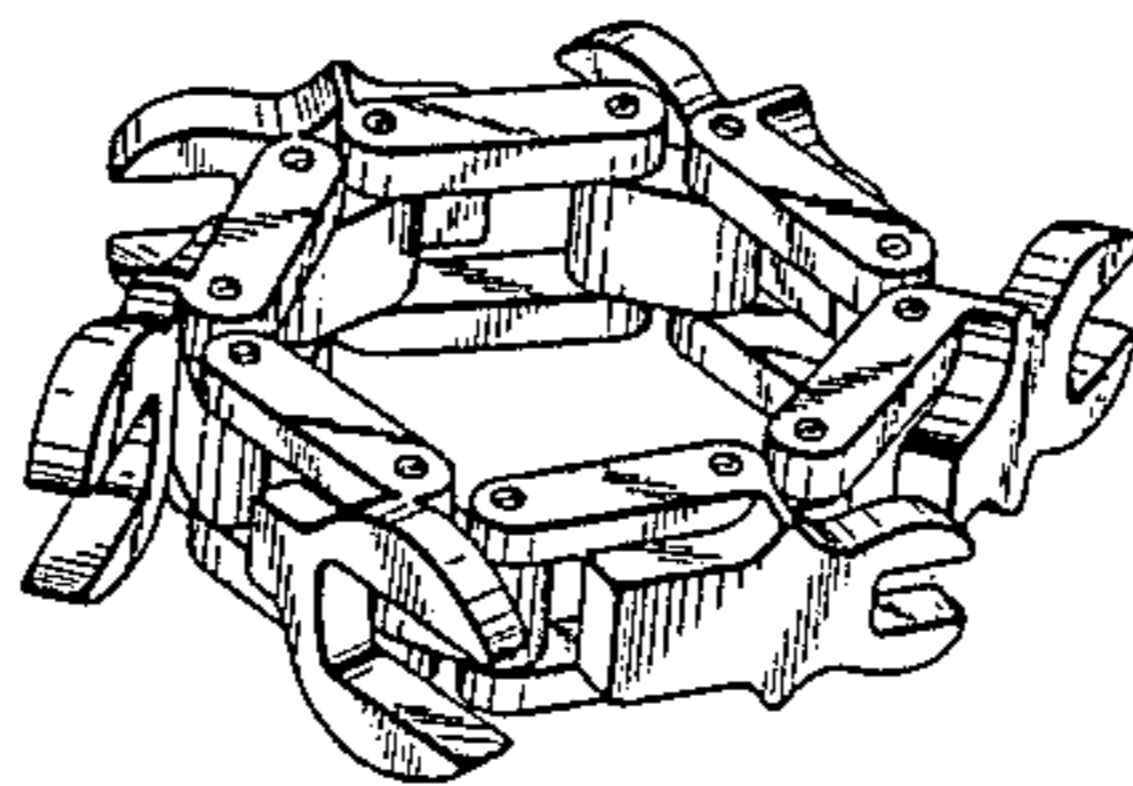
FIG. 4 is a front elevational view thereof;

FIG. 5 is a side elevational view thereof;

FIG. 6 is an opposite side elevational view thereof;

FIG. 7 is a bottom plan view thereof;

FIG. 8 is a rear elevational view thereof.



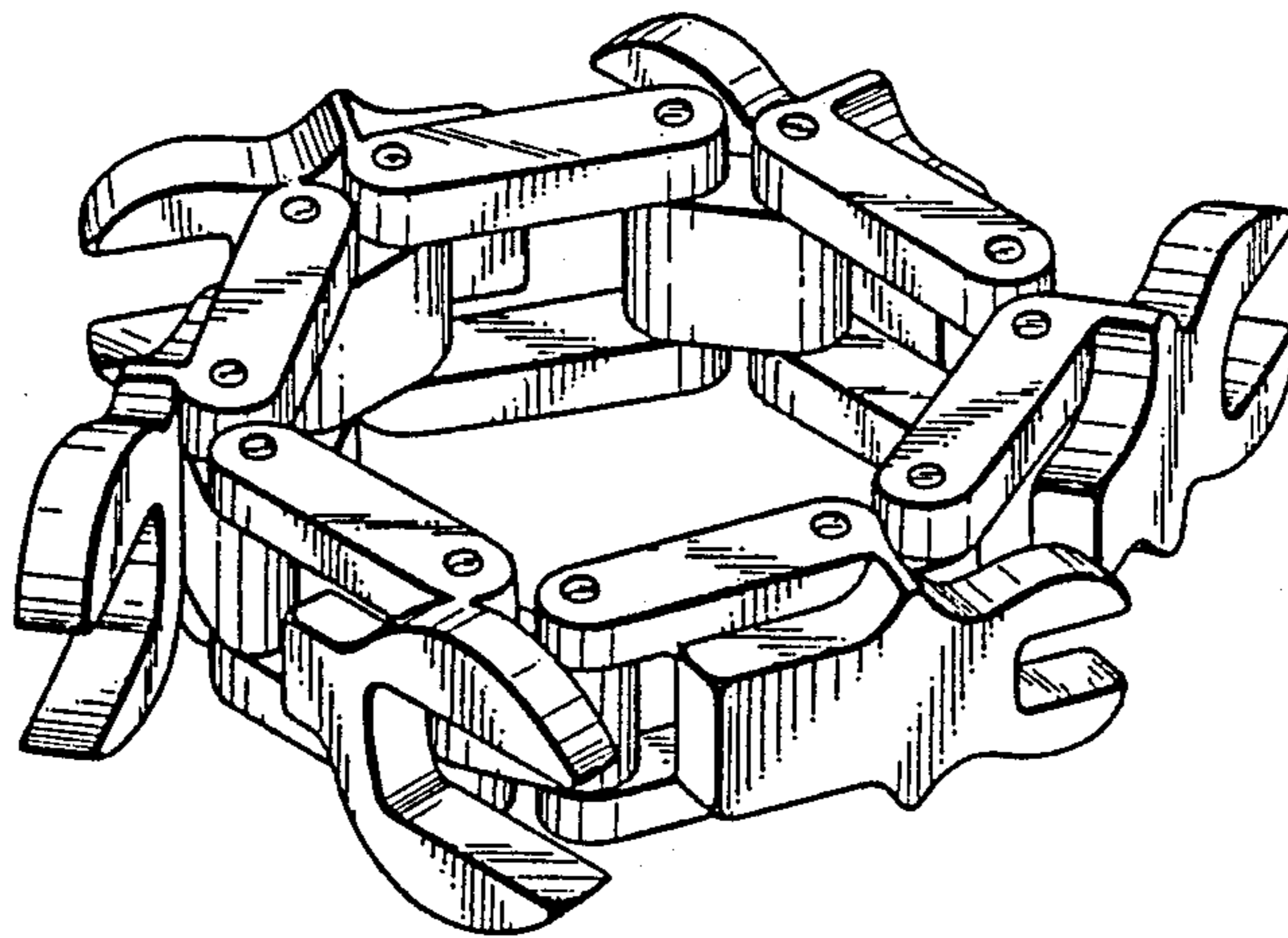


FIG. 1

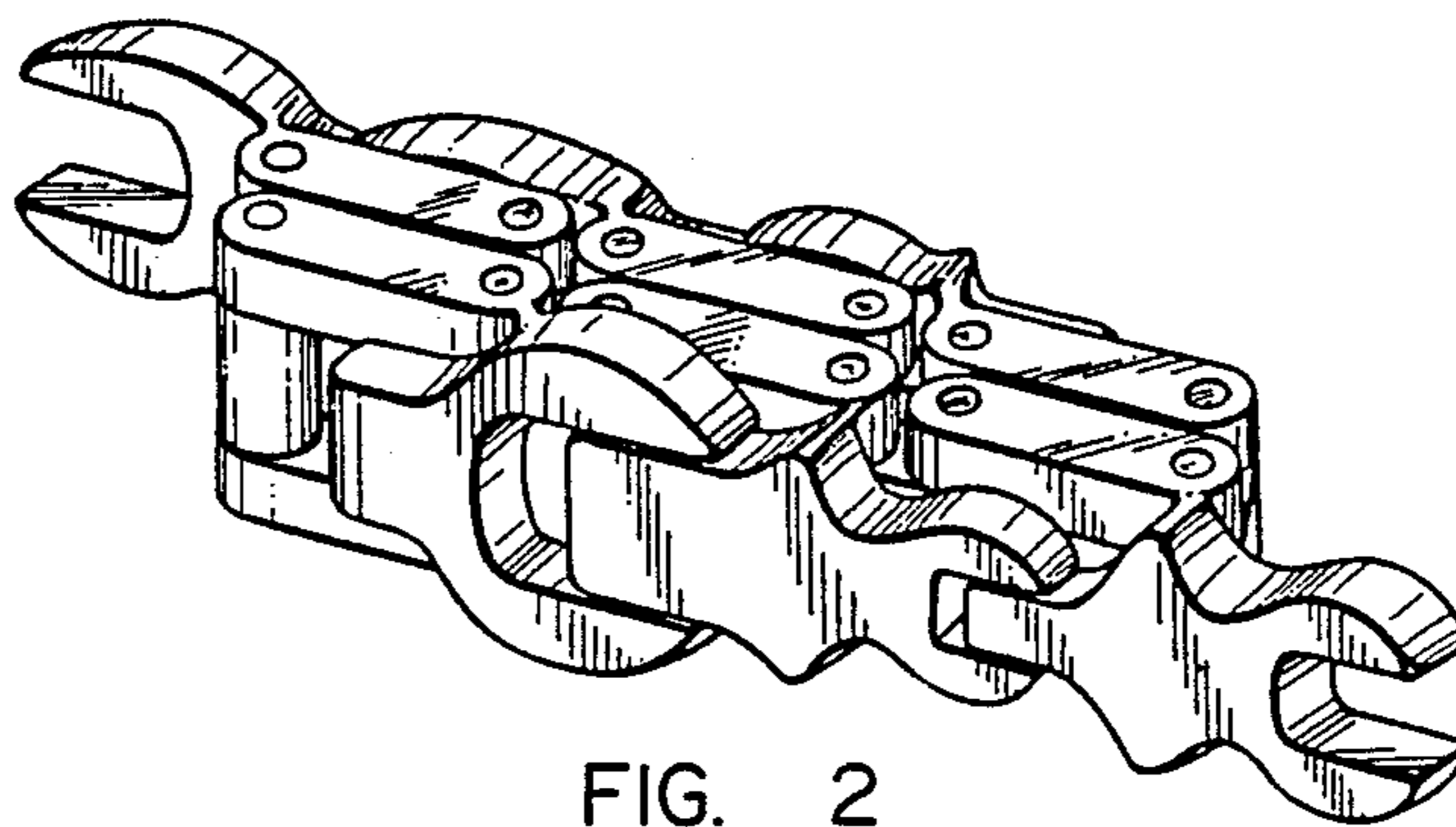


FIG. 2

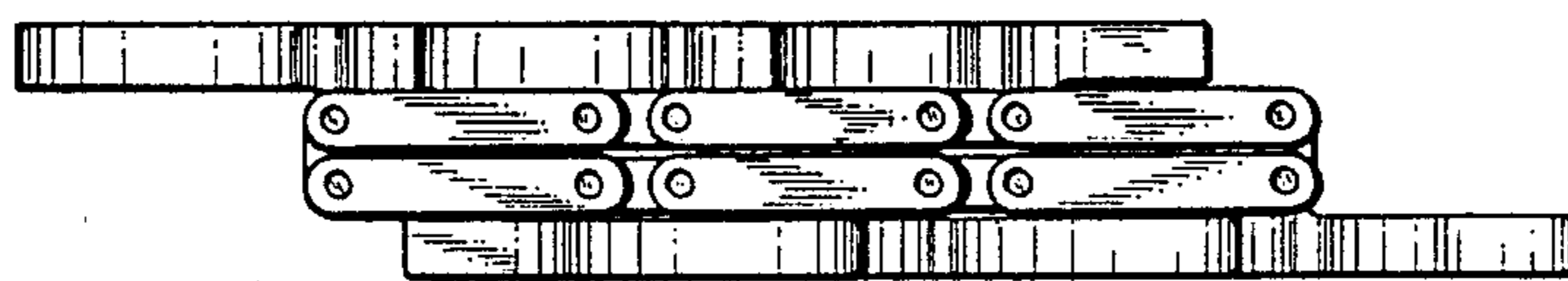


FIG. 3

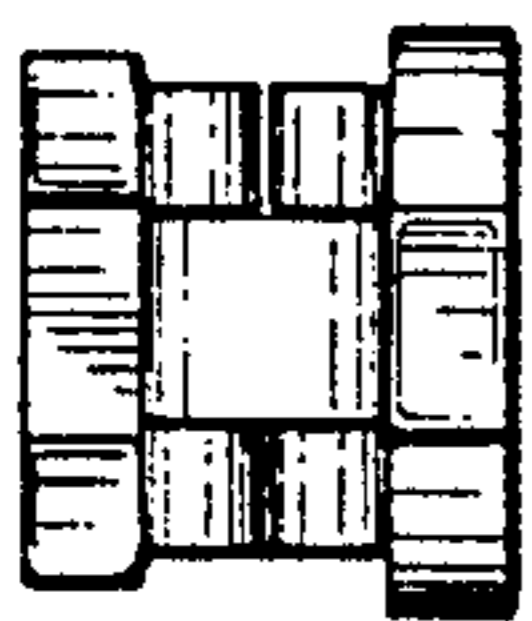


FIG. 5

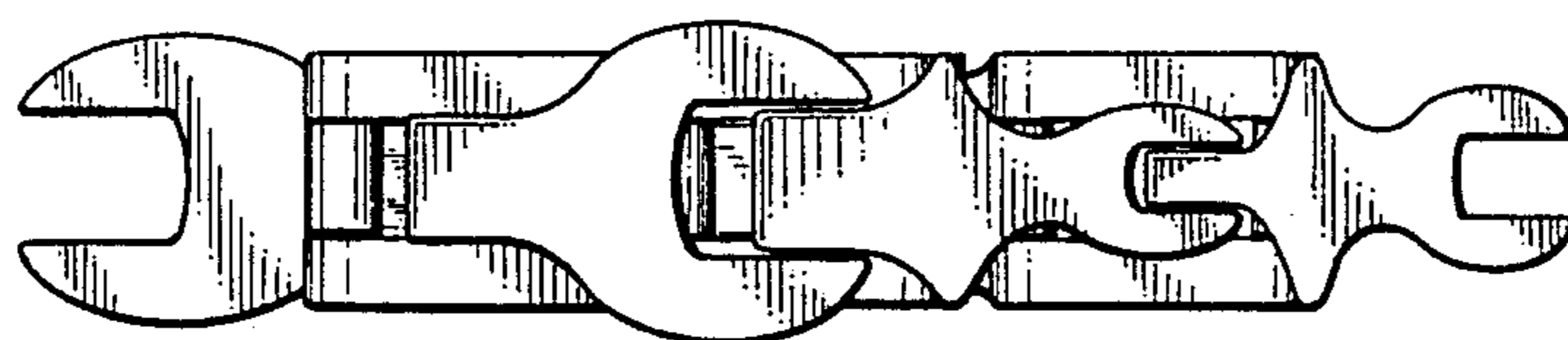


FIG. 4

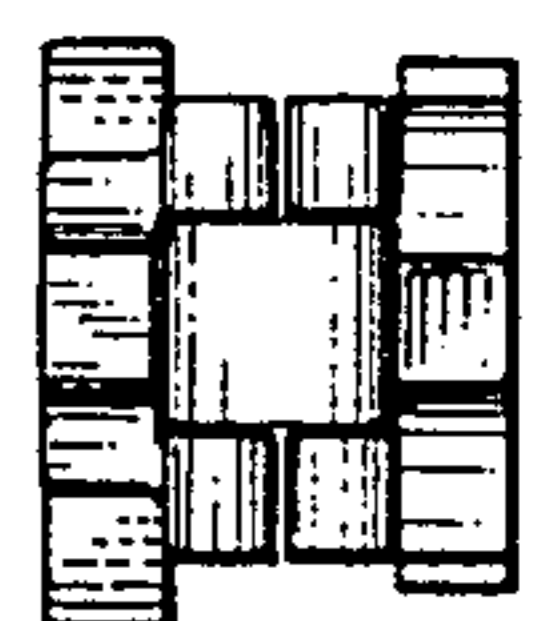


FIG. 6

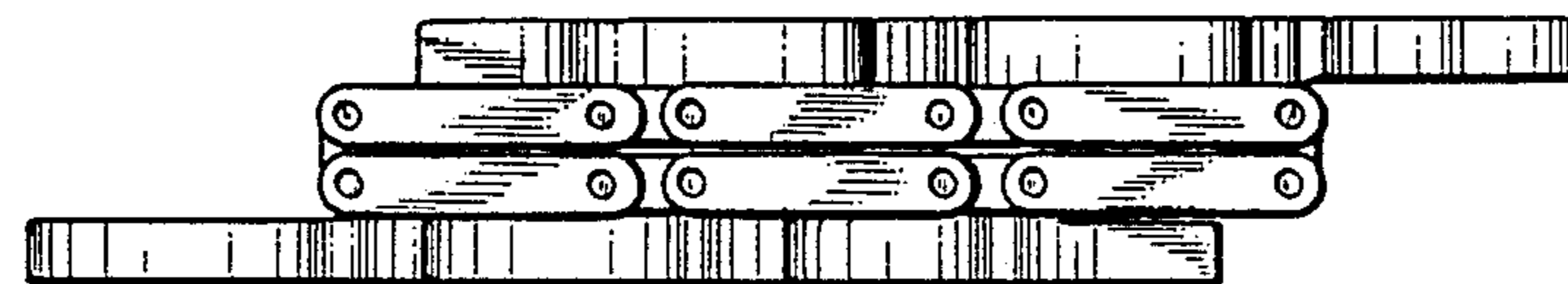


FIG. 7

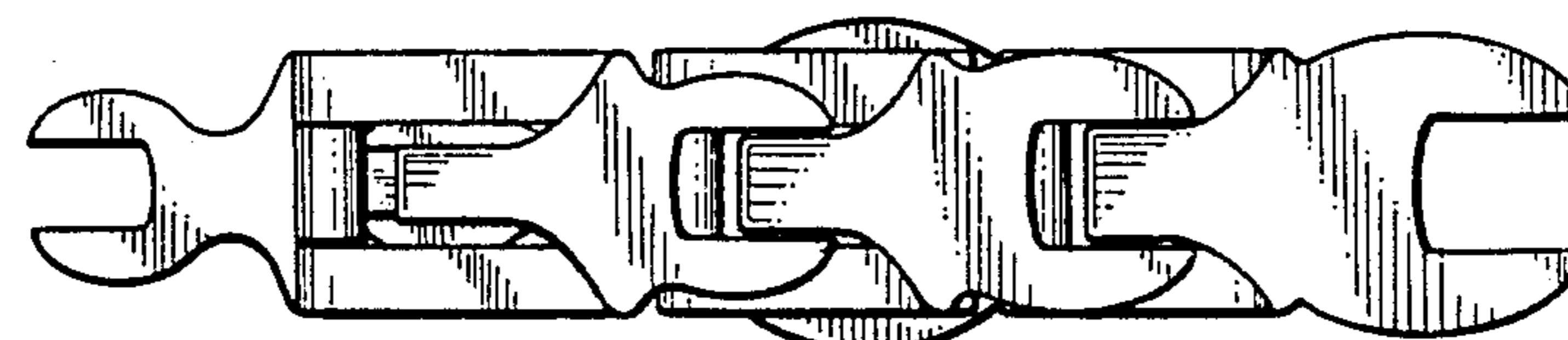


FIG. 8