

[54] PORTABLE BANDSAW

[75] Inventors: Robert W. Arehart, Downers Grove; Raymond W. Peeler, Chicago, both of Ill.

[73] Assignee: Greenlee Textron Inc., Rockford, Ill.

[\*\*] Term: 14 Years

[21] Appl. No.: 5,529

[22] Filed: Jan. 20, 1987

[52] U.S. Cl. .... D8/64; D8/67; D8/69

[58] Field of Search ..... D8/61, 62, 64-70; 81/57.11, 57.13, 57.14; 30/273, 274, 380

[56] References Cited

U.S. PATENT DOCUMENTS

D. 248,085 6/1978 Stelljes et al. .... D8/64  
3,658,102 4/1972 Joosten ..... 30/380

FOREIGN PATENT DOCUMENTS

549162 5/1934 Fed. Rep. of Germany ..... 30/380  
3130293 2/1983 Fed. Rep. of Germany ..... 30/380

OTHER PUBLICATIONS

Hardware Age, Apr. 1974; p. 108, Rigid Portable Bandsaw Models 941-943.  
Black & Decker Ad. Mailer, p. 1; Port. Bandsaw.

Primary Examiner—Nelson C. Holtje  
Assistant Examiner—Clare E. Heflin  
Attorney, Agent, or Firm—R. A. Giangiorgi

[57] CLAIM

The ornamental design for a portable bandsaw, as shown and described.

DESCRIPTION

FIG. 1 is a top plan view of the portable bandsaw showing our new design;  
FIG. 2 is a front elevational view thereof;  
FIG. 3 is a bottom plan view thereof;  
FIG. 4 is a rear elevational view thereof;  
FIG. 5 is a right end elevational view thereof;  
FIG. 6 is a left end elevational view thereof.

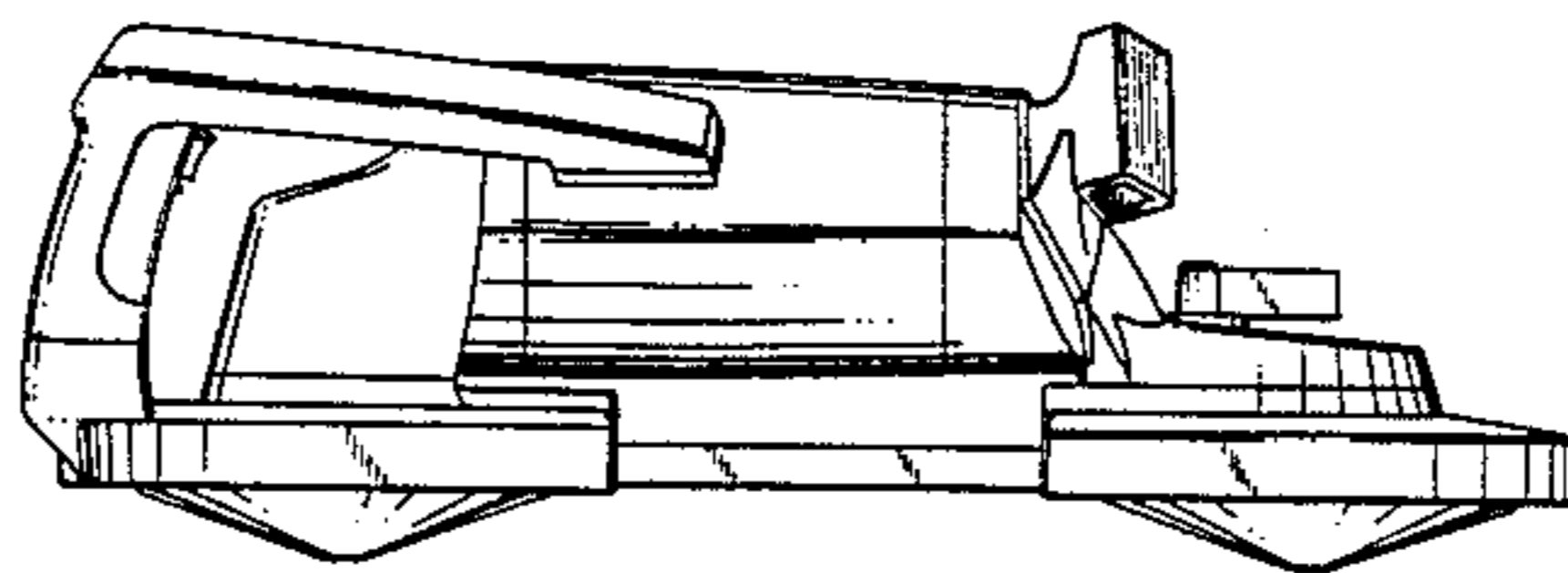


FIG. 1

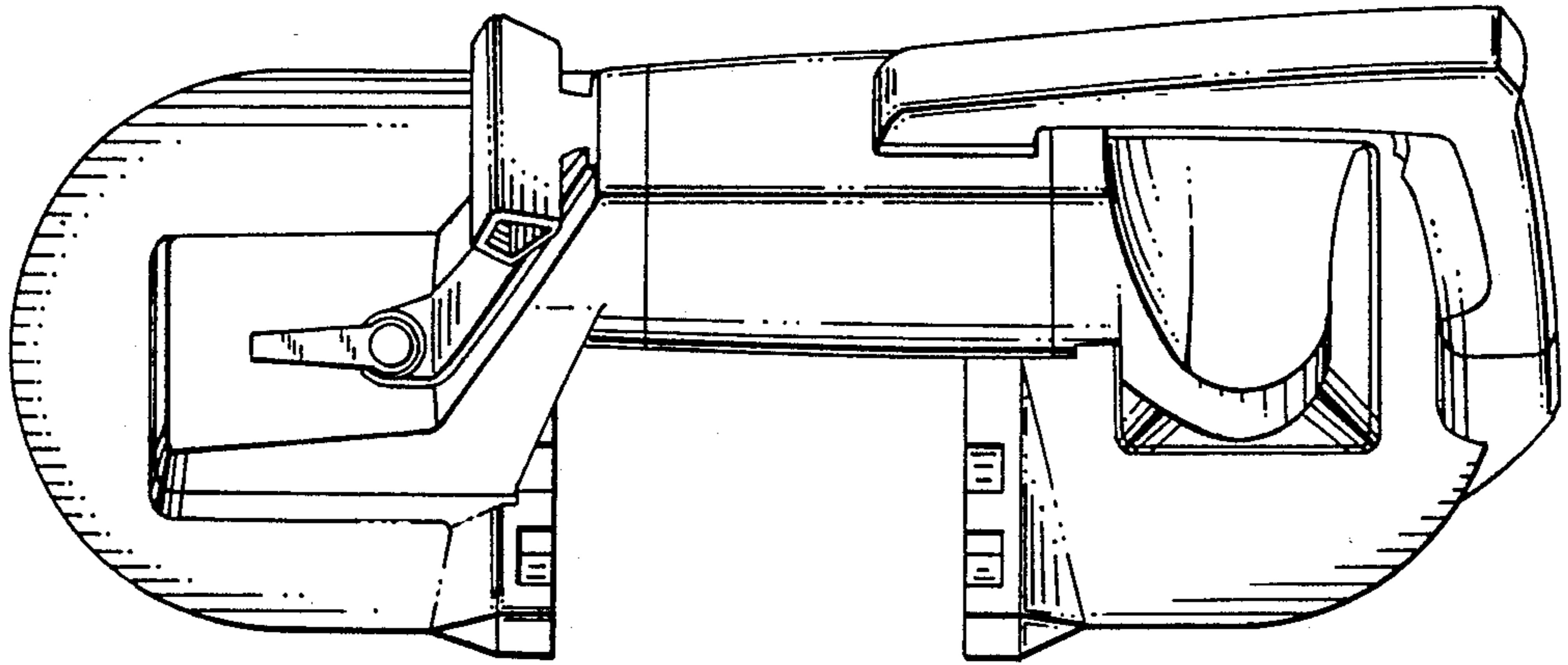


FIG. 2

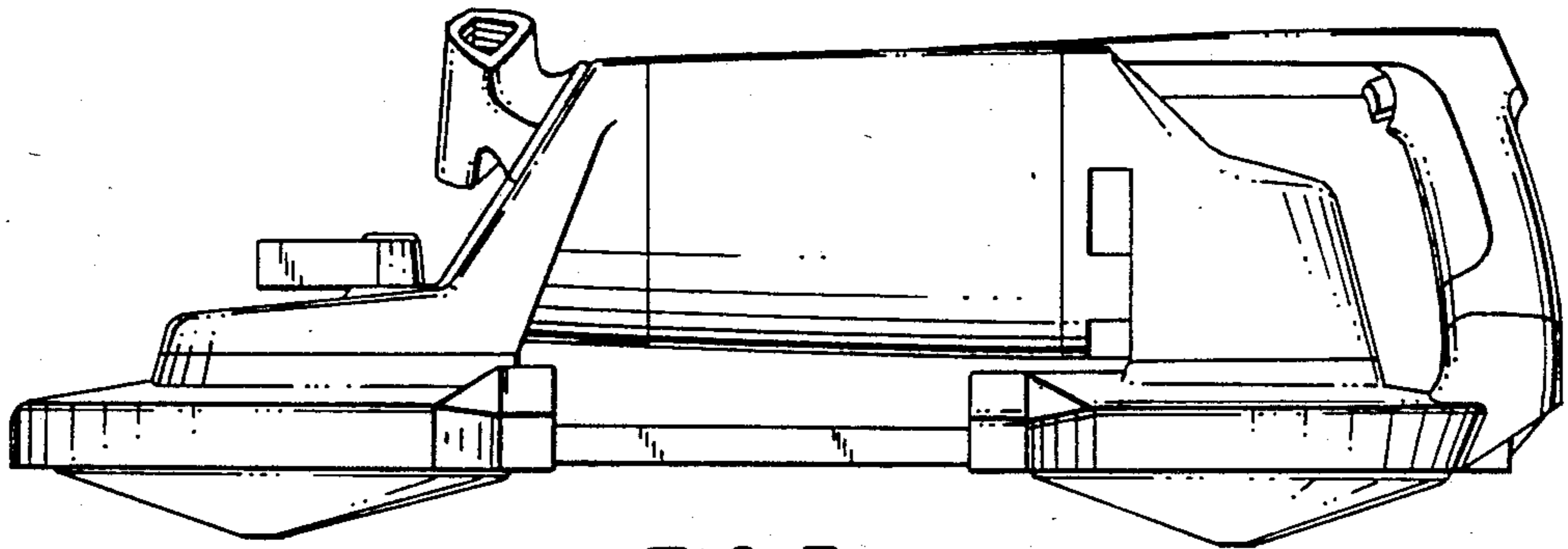


FIG. 3

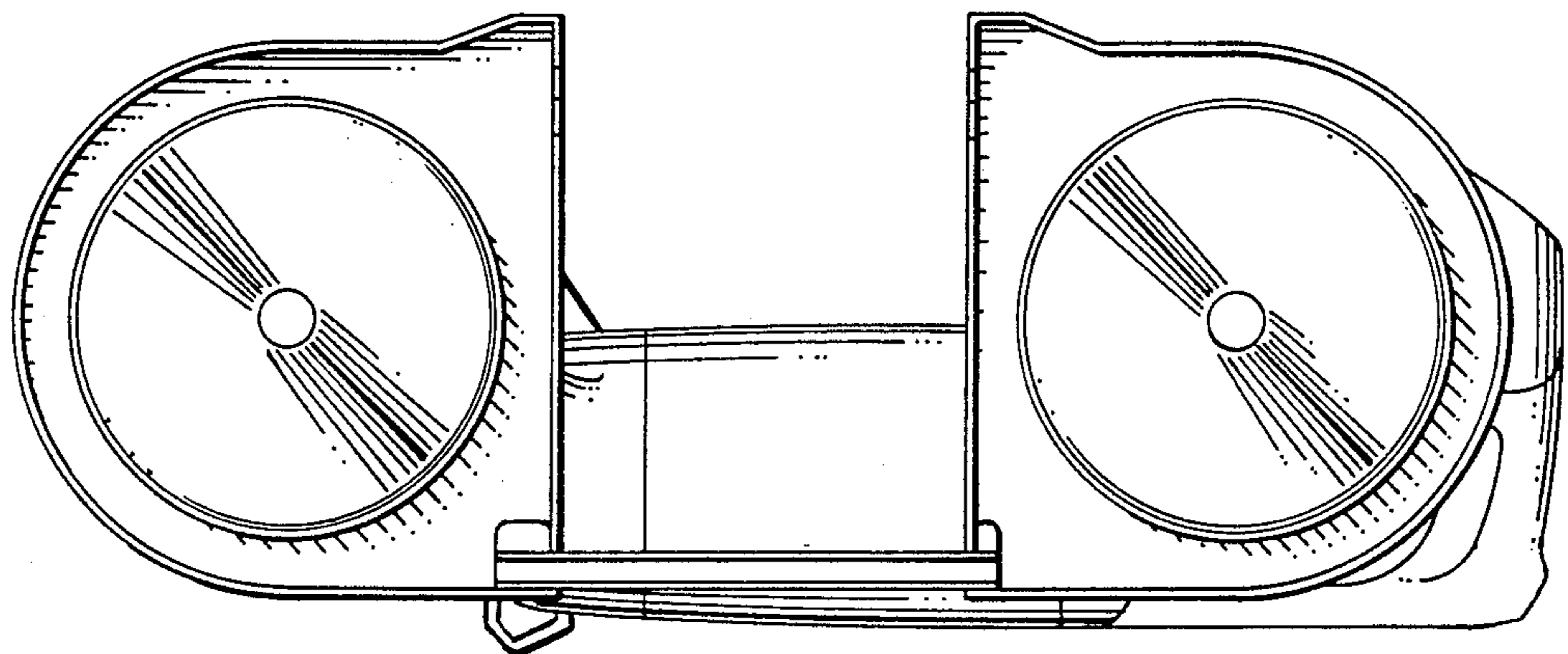


FIG. 4

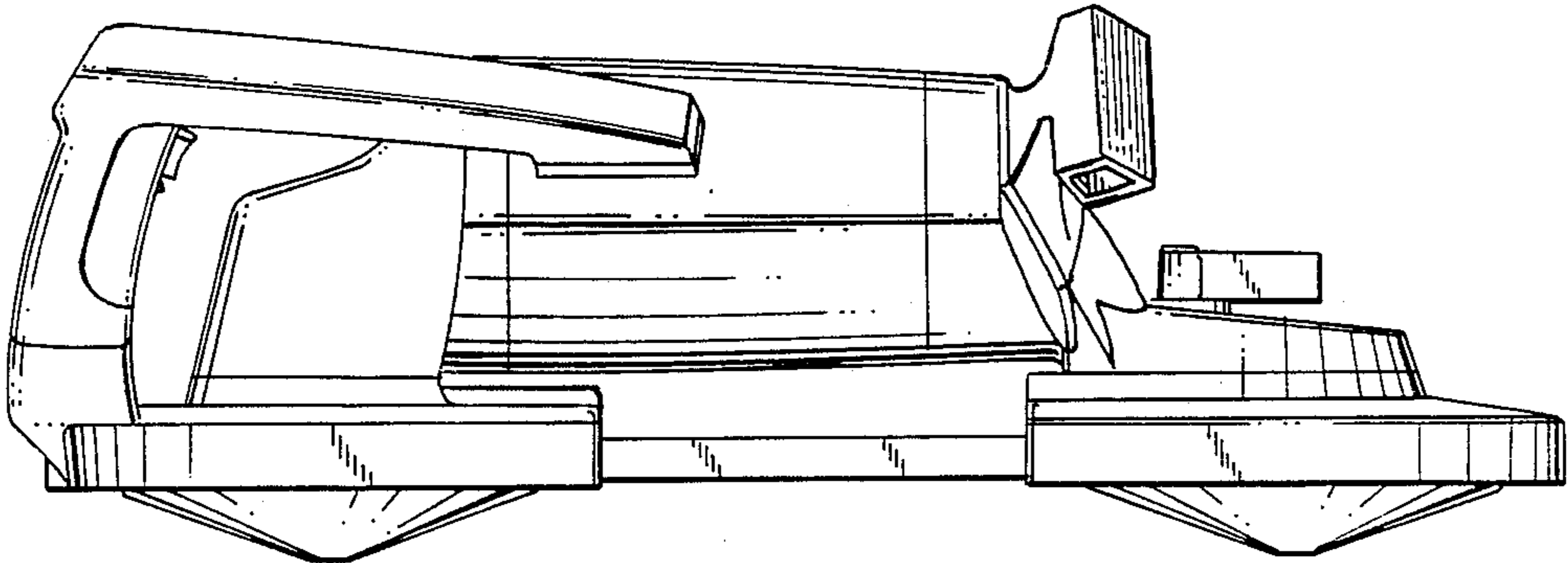


FIG. 5

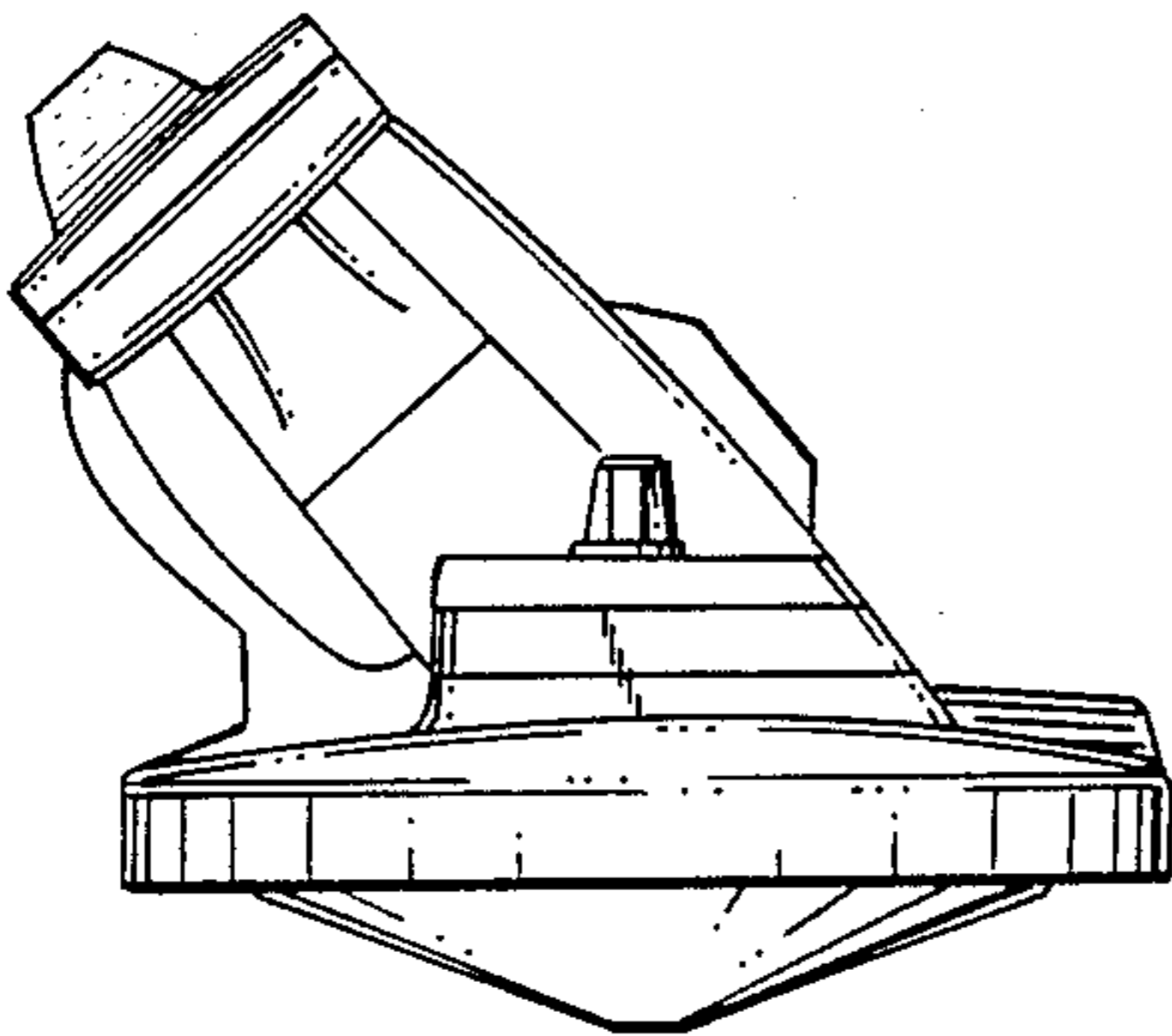


FIG. 6

