

United States Patent [19]

Snyder

[11] Patent Number: **Des. 306,122**

[45] Date of Patent: **** Feb. 20, 1990**

[54] **SHOVEL**

[76] Inventor: **Bonnie J. Snyder, 2063 S. Franklin St., Denver, Colo. 80210**

[**] Term: **14 Years**

[21] Appl. No.: **284,459**

[22] Filed: **Dec. 14, 1988**

[52] U.S. Cl. **D8/10**

[58] Field of Search **D8/10; 294/53.5, 54.5, 294/57-58, 51**

[56] **References Cited**

U.S. PATENT DOCUMENTS

D. 275,928	10/1984	LoPresti	D8/10
2,239,297	4/1941	Allen et al.	294/51
2,416,414	2/1947	Spencer	294/58
3,938,843	2/1976	Pabel	294/58

4,155,582 5/1979 Reisner 294/58

Primary Examiner—Wallace R. Burke

Assistant Examiner—Brian N. Vinson

Attorney, Agent, or Firm—Jerry T. Kearns

[57] **CLAIM**

The ornamental design for a shovel, as shown and described.

DESCRIPTION

FIG. 1 is a front elevational view of a shovel showing my new design;

FIG. 2 is a rear elevational view thereof;

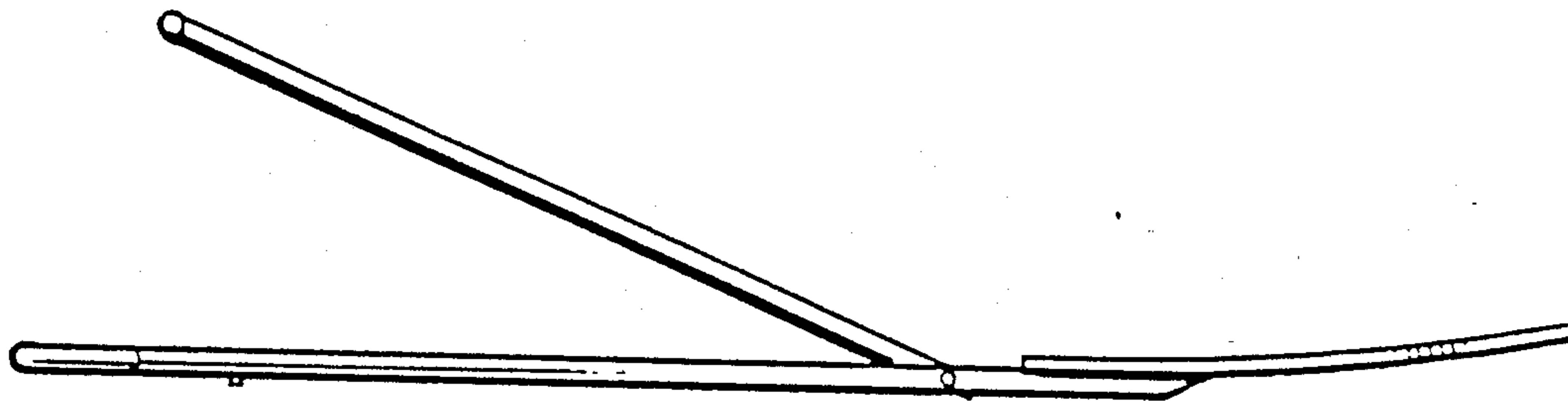
FIG. 3 is a left side elevational view thereof;

FIG. 4 is a right side elevational view thereof;

FIG. 5 is a top plan view thereof;

FIG. 6 is a bottom plan view thereof; and,

FIG. 7 is a perspective view thereof.



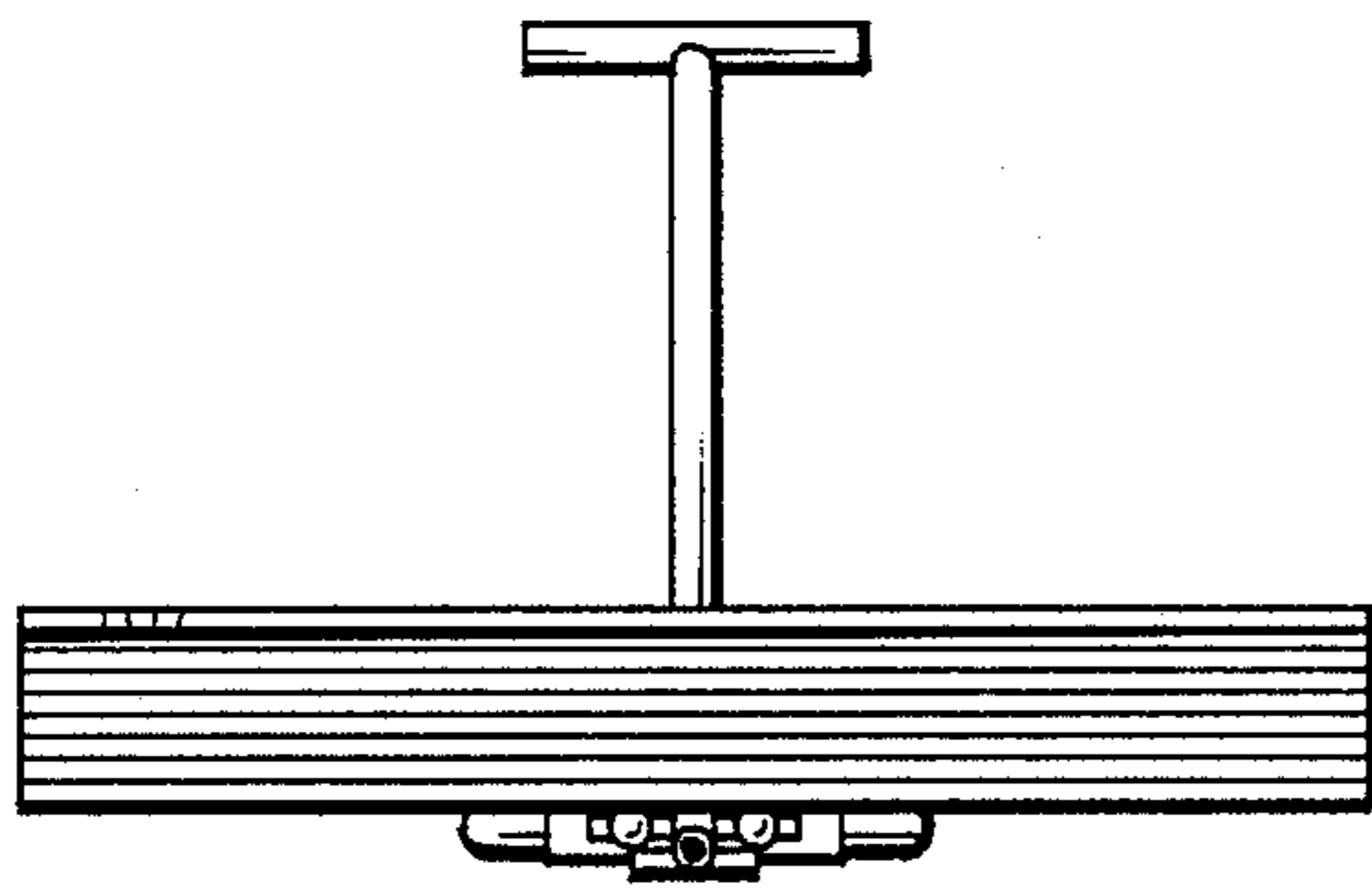


Fig. 1

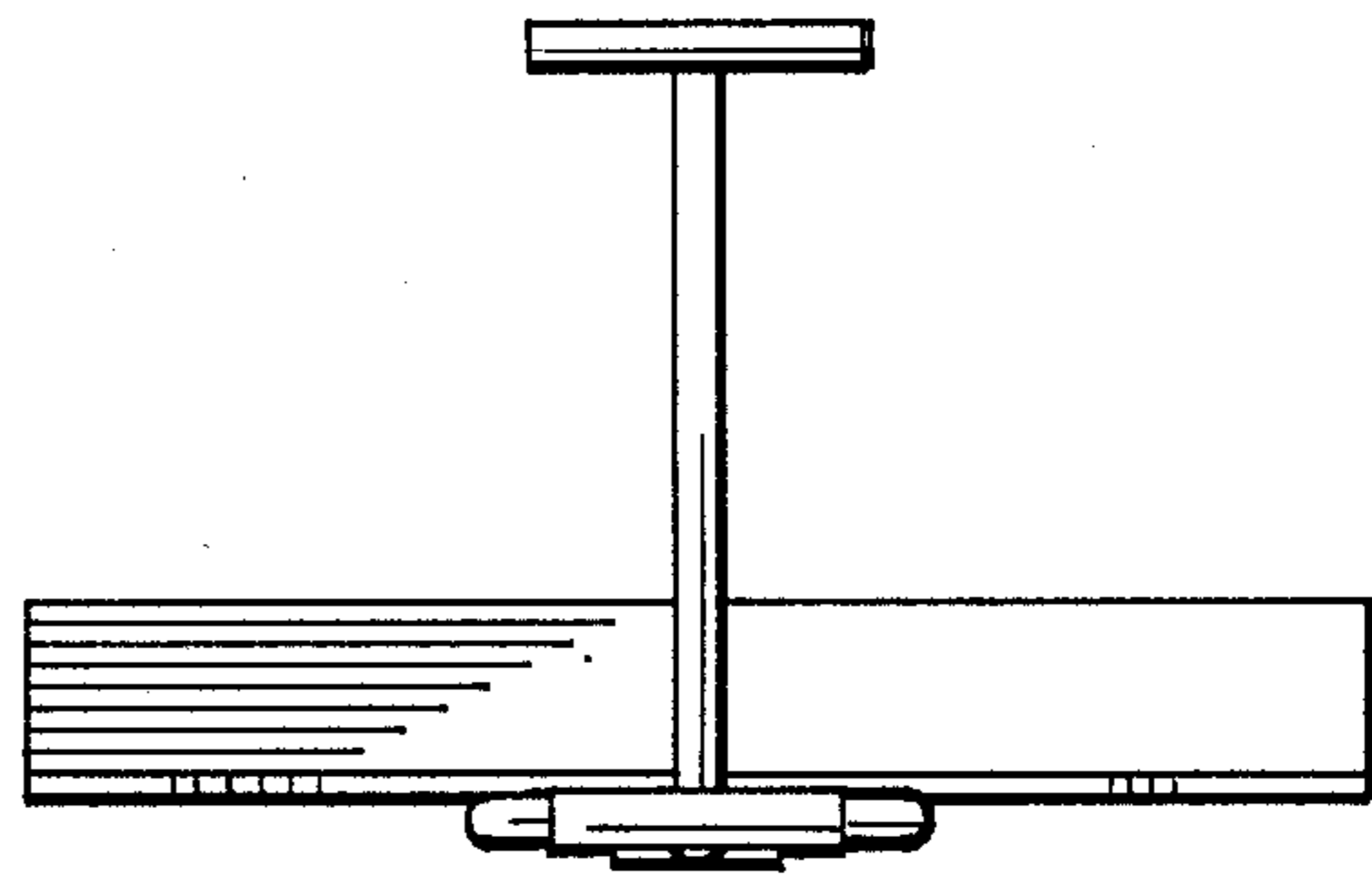


Fig. 2

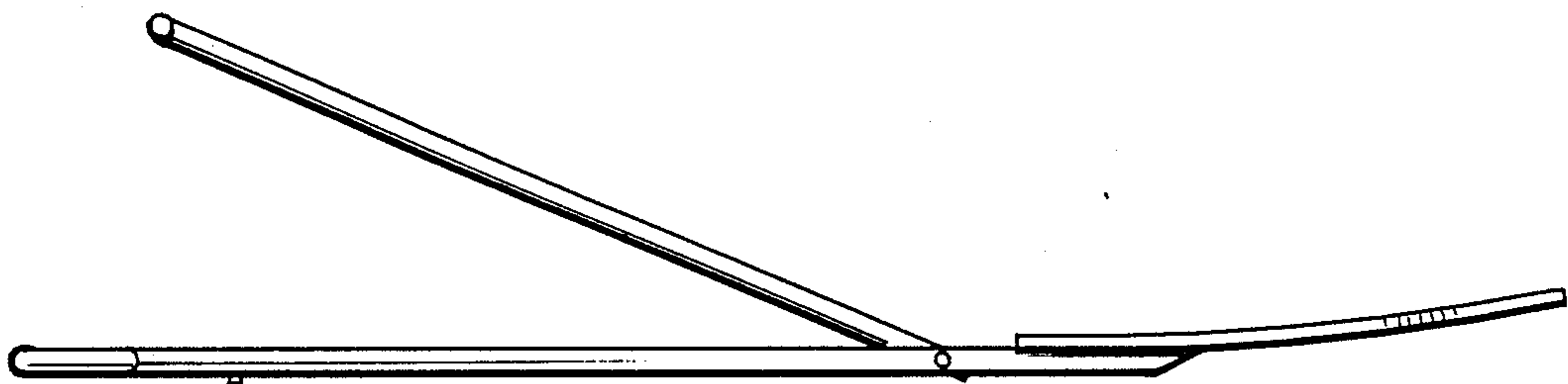


Fig. 3

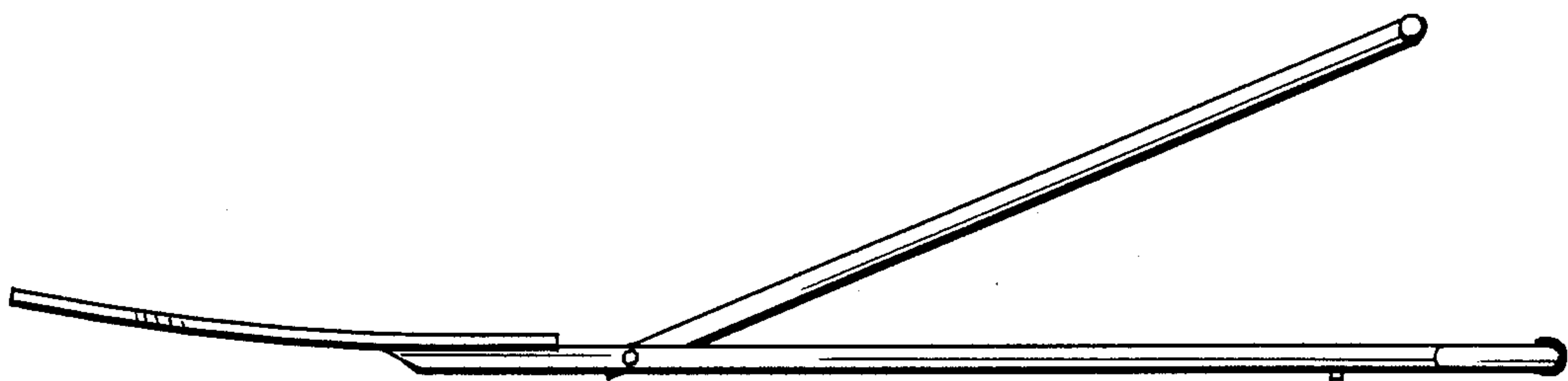


Fig. 4