

United States Patent [19]

Stockman et al.

[11] Patent Number: **Des. 306,119**

[45] Date of Patent: **** Feb. 20, 1990**

[54] **PROTECTIVE SHIELD FOR STOVE KNOBS**

4,543,021 9/1985 Adler D15/131

[76] Inventors: **Albert Stockman; James E. Stockman**, both of 9442 N. Custer Rd., Free Soil, Mich. 49411

FOREIGN PATENT DOCUMENTS

2148485 5/1985 United Kingdom 126/22

[**] Term: **14 Years**

Primary Examiner—James R. Largen
Assistant Examiner—Ruth Takemoto
Attorney, Agent, or Firm—Jerry T. Kearns

[21] Appl. No.: **82,369**

[57] CLAIM

[22] Filed: **Aug. 6, 1987**

[52] U.S. Cl. **D7/406**

[58] Field of Search D7/402, 406, 407, 408;
126/214 D, 214 R, 299 R, 299 C, 22; 160/351

The ornamental design for a protective shield for stove knobs, as shown and described.

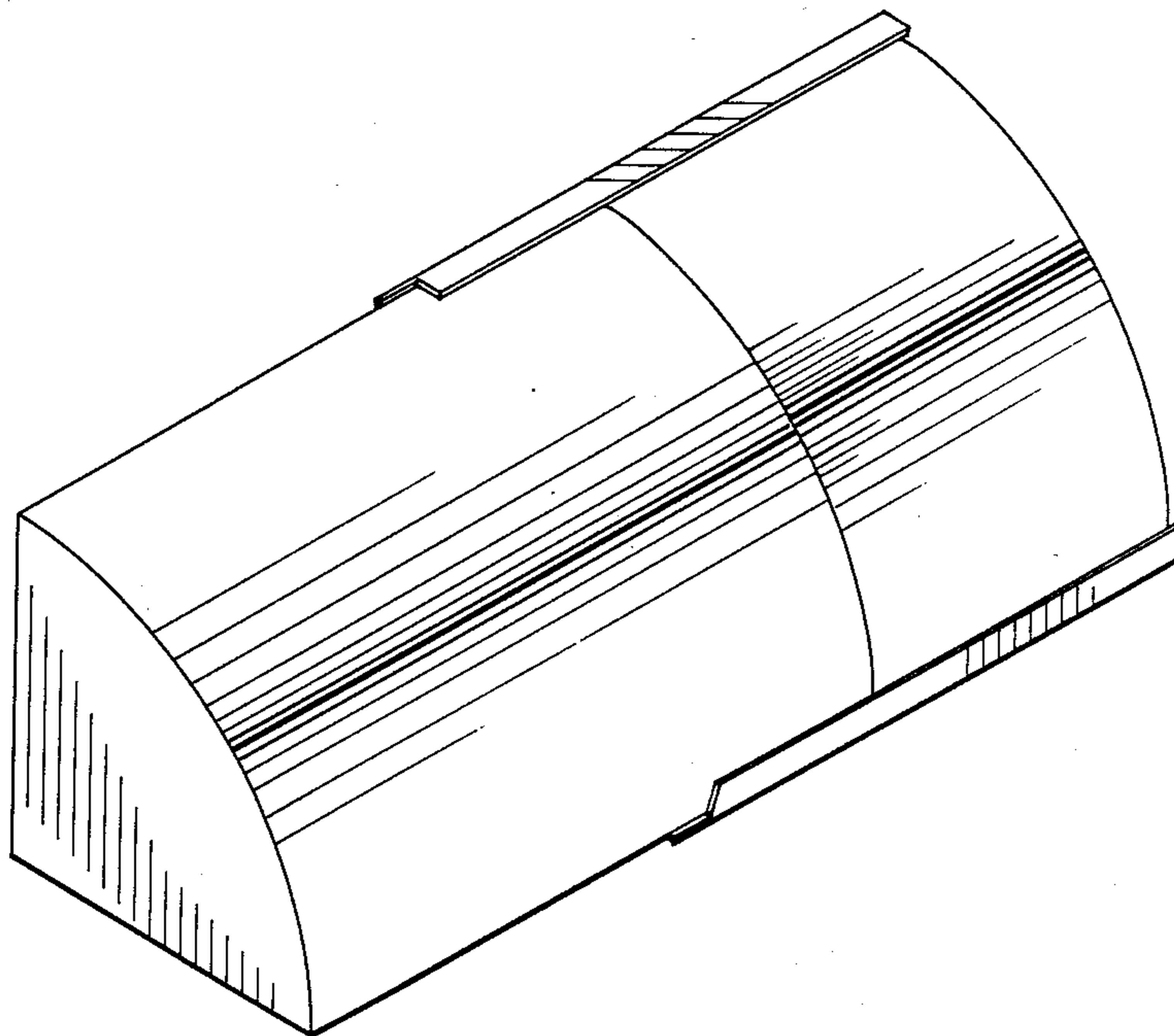
DESCRIPTION

[56] **References Cited**

U.S. PATENT DOCUMENTS

D. 284,345	6/1986	Baughman	D7/402
2,591,786	4/1952	Cronheim	126/299 C
2,836,171	5/1958	Cripe	126/299 C
2,879,763	3/1959	Long	126/299 C
3,814,078	6/1974	Etzcorn	126/299 C

FIG. 1 is a front elevational view of a protective shield for stove knobs showing our new design; FIG. 2 is a rear elevational view thereof; FIG. 3 is a left side elevational view thereof; FIG. 4 is a right side elevational view thereof; FIG. 5 is a top plan view thereof; FIG. 6 is a bottom plan view thereof; and, FIG. 7 is a front perspective view thereof.



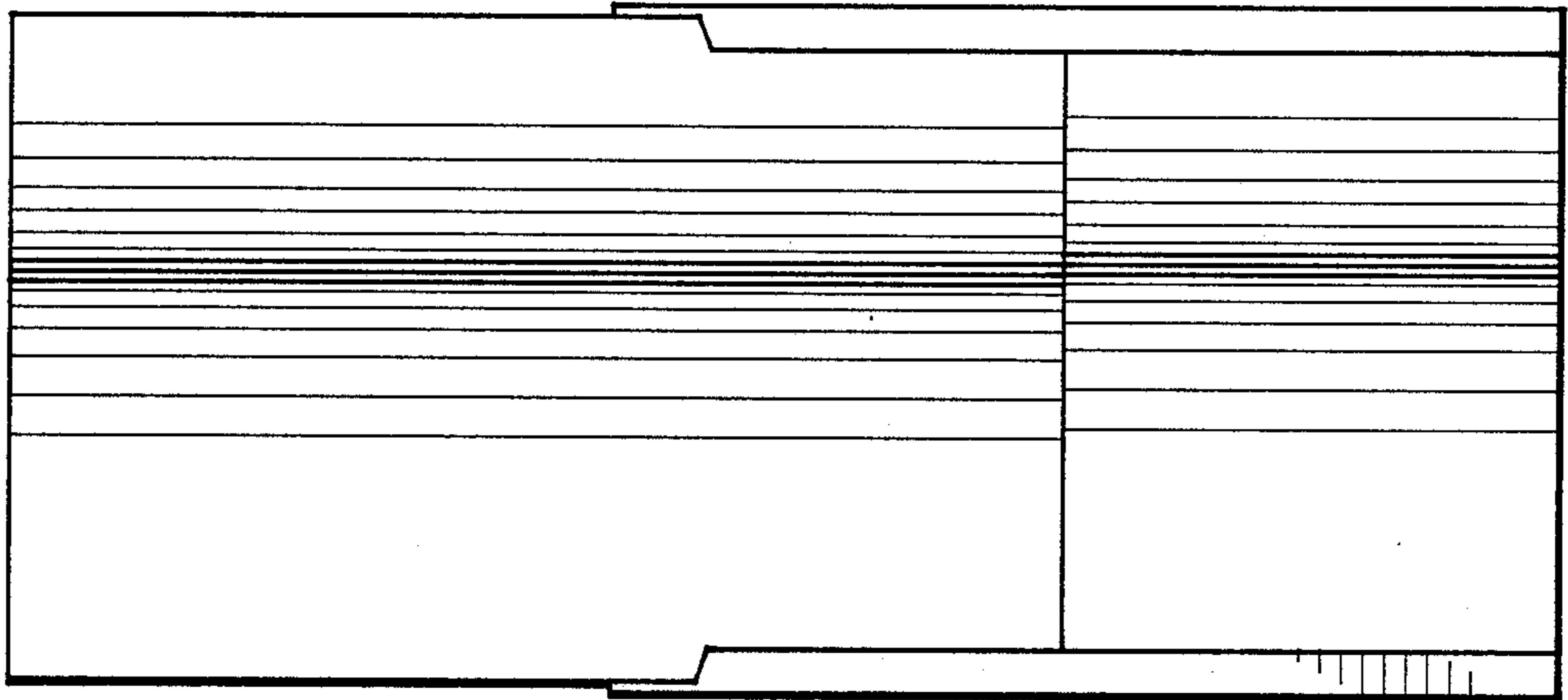


Fig. 1

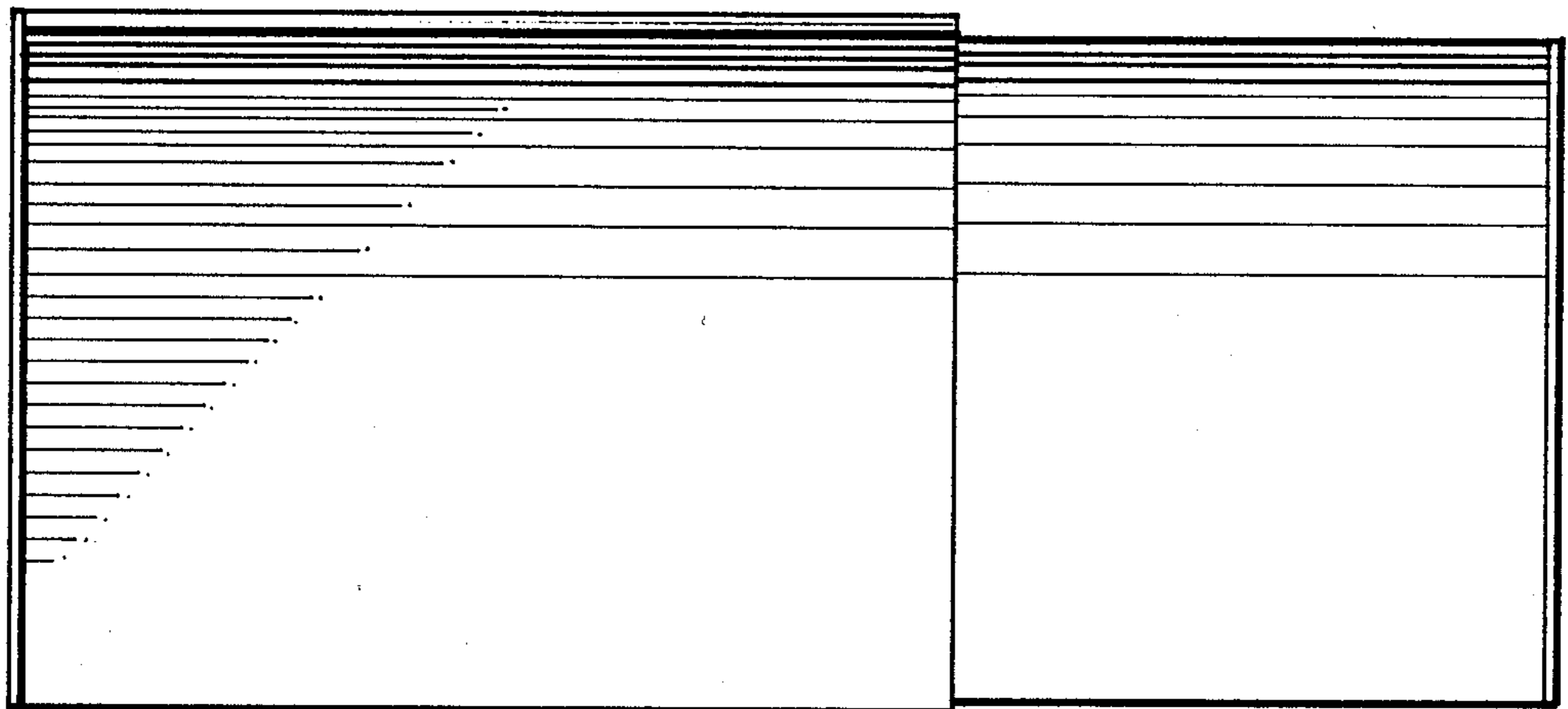


Fig. 2

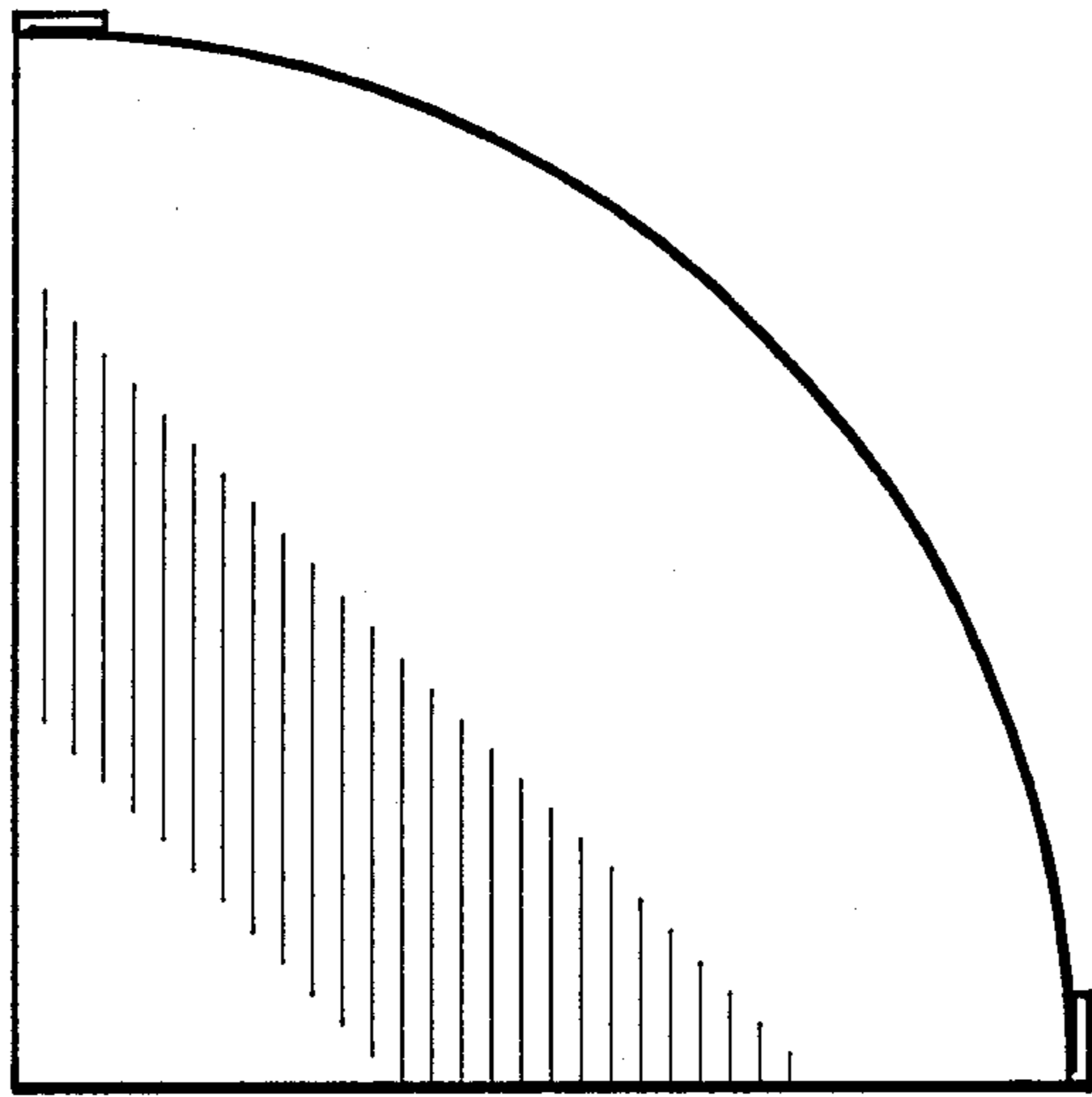


Fig. 3

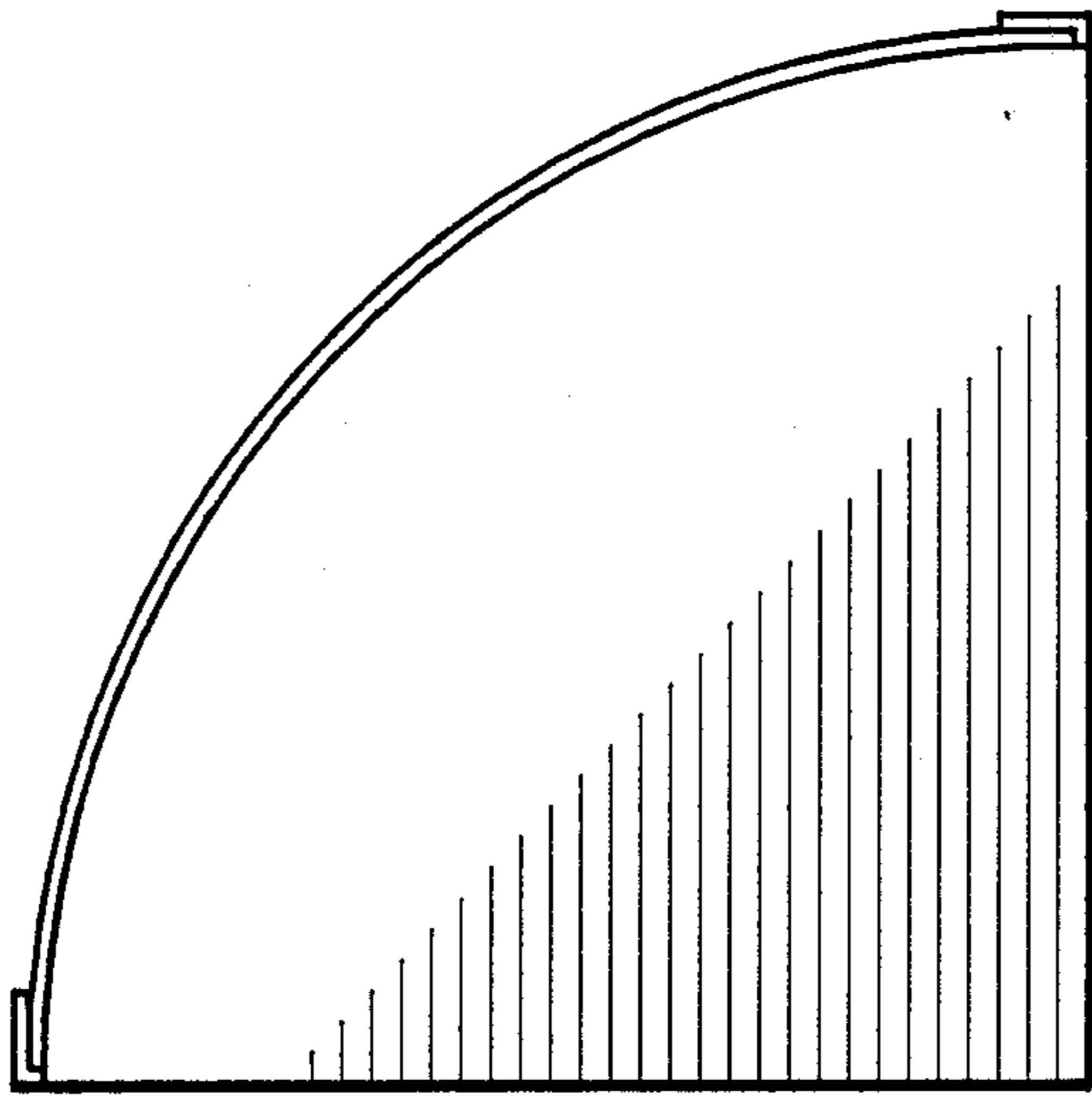


Fig. 4

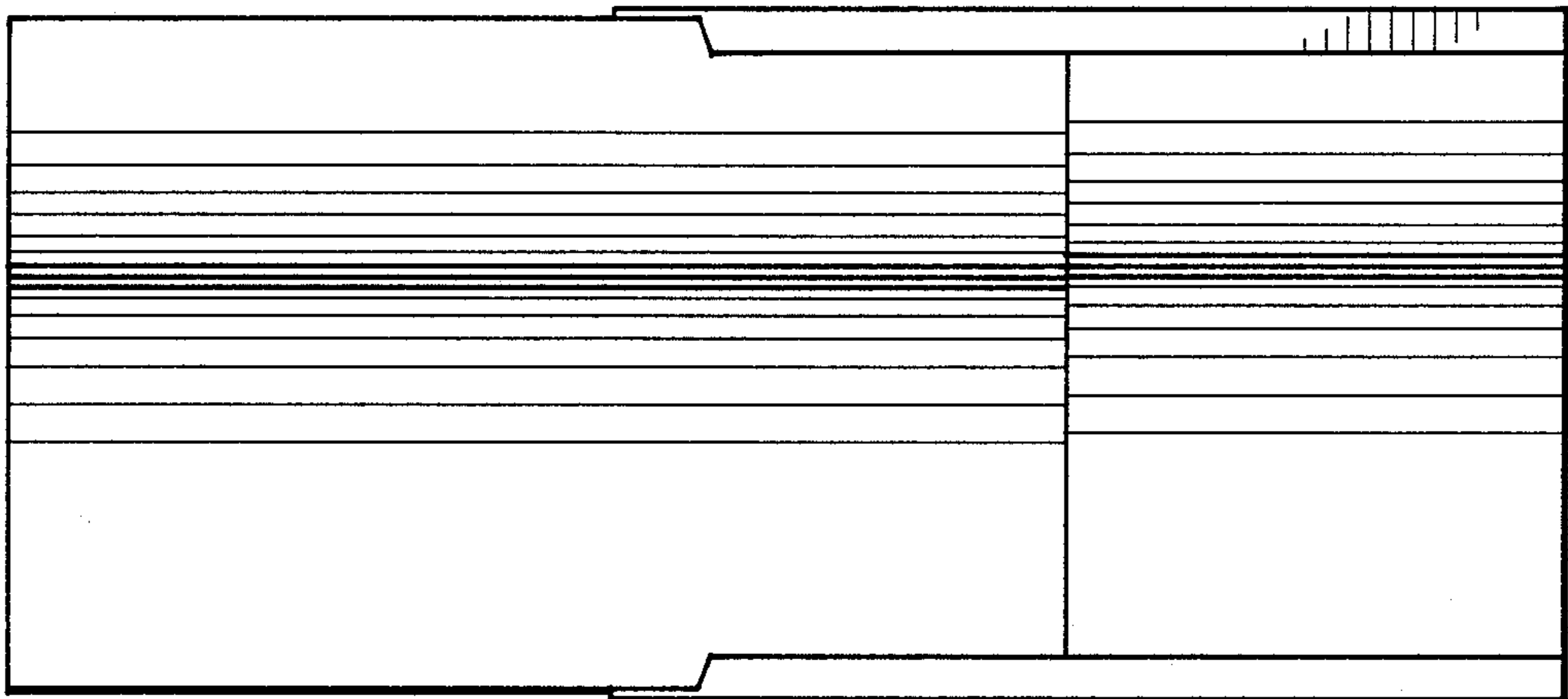


Fig. 5

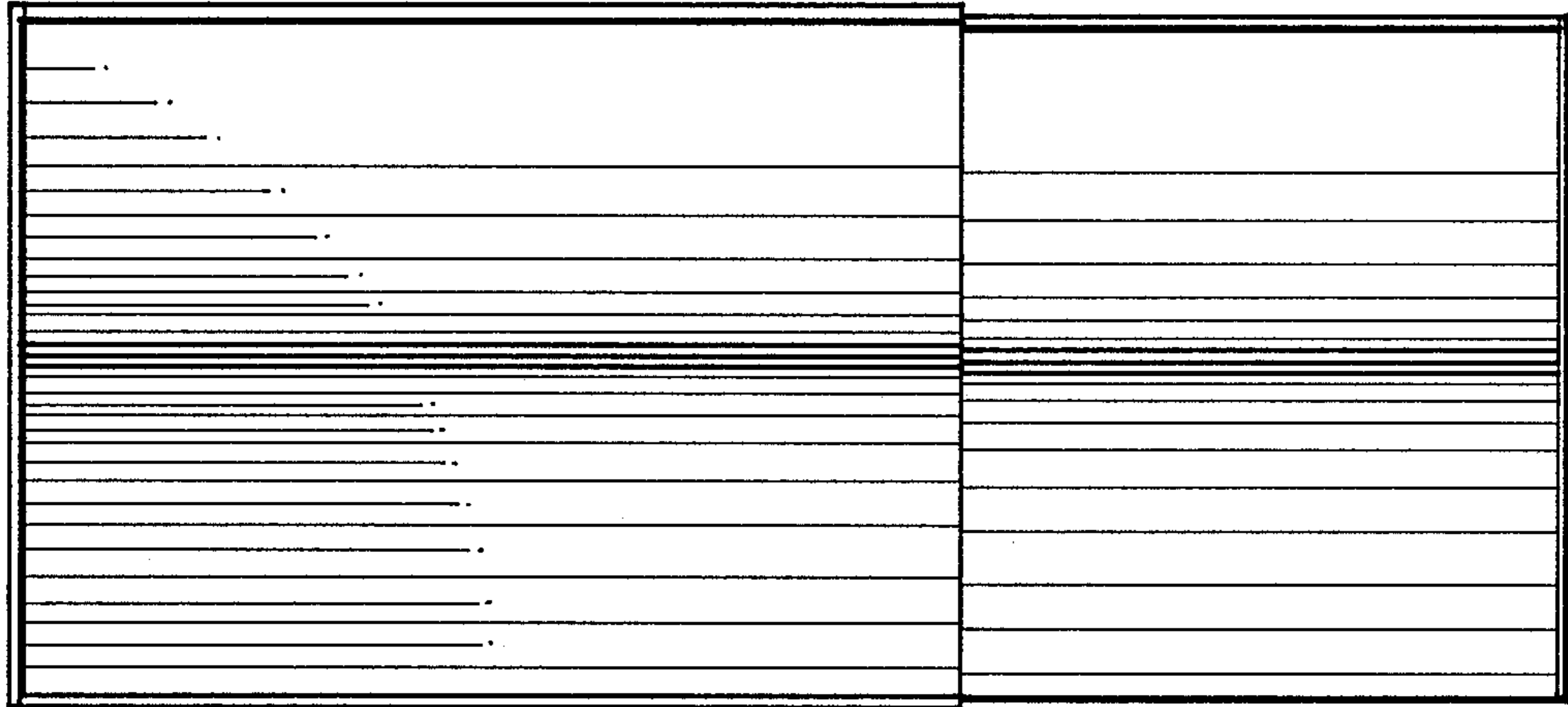


Fig. 6

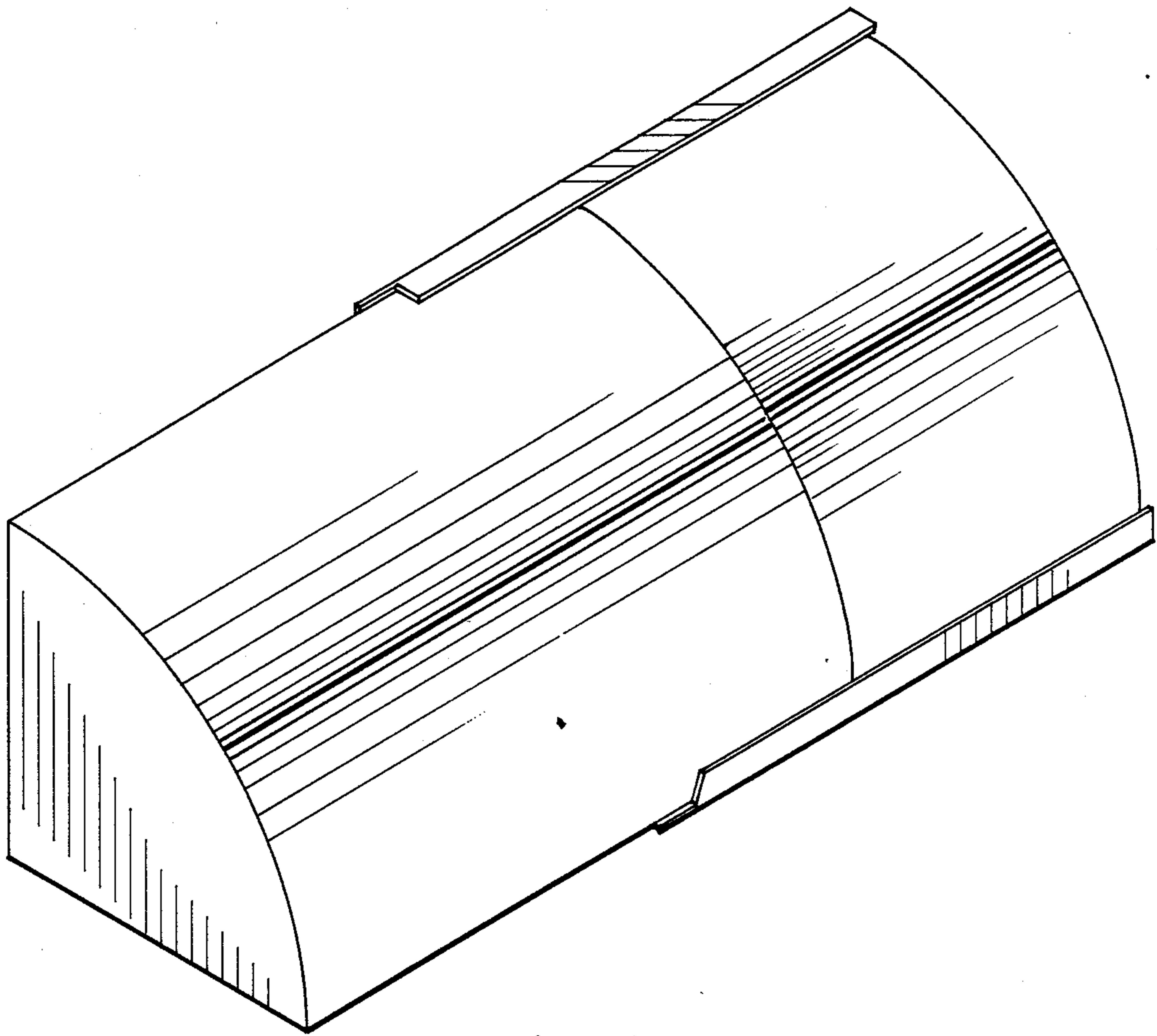


Fig. 7