

United States Patent [19]

Guerrero

[11] Patent Number: **Des. 306,118**

[45] Date of Patent: **** Feb. 20, 1990**

[54] **COFFEE MAKER WARMER PLATE COVER OR SIMILAR ARTICLE**

[76] Inventor: **Raul Guerrero, 829 Leslie, Coppell, Tex. 75019**

[**] Term: **14 Years**

[21] Appl. No.: **23,310**

[22] Filed: **Mar. 9, 1987**

[52] U.S. Cl. **D7/397; D7/407; D7/408**

[58] Field of Search **D7/397, 399, 391, 409, D7/408, 407, 388, 359, 410**

[56] **References Cited**

U.S. PATENT DOCUMENTS

D. 169,799 6/1953 Bourne-Vanneck D7/388

1,236,360 8/1917 Rice D7/407 X
1,392,868 10/1921 Cruickshank D7/407 X
1,566,185 12/1925 Elmgren D7/407 X
2,896,307 7/1959 Whiteley D7/408 X

Primary Examiner—Winifred E. Herrmann
Attorney, Agent, or Firm—Hubbard, Thurman, Turner & Tucker

[57] CLAIM

The ornamental design for a coffee maker warmer plate cover or similar article, as shown and described.

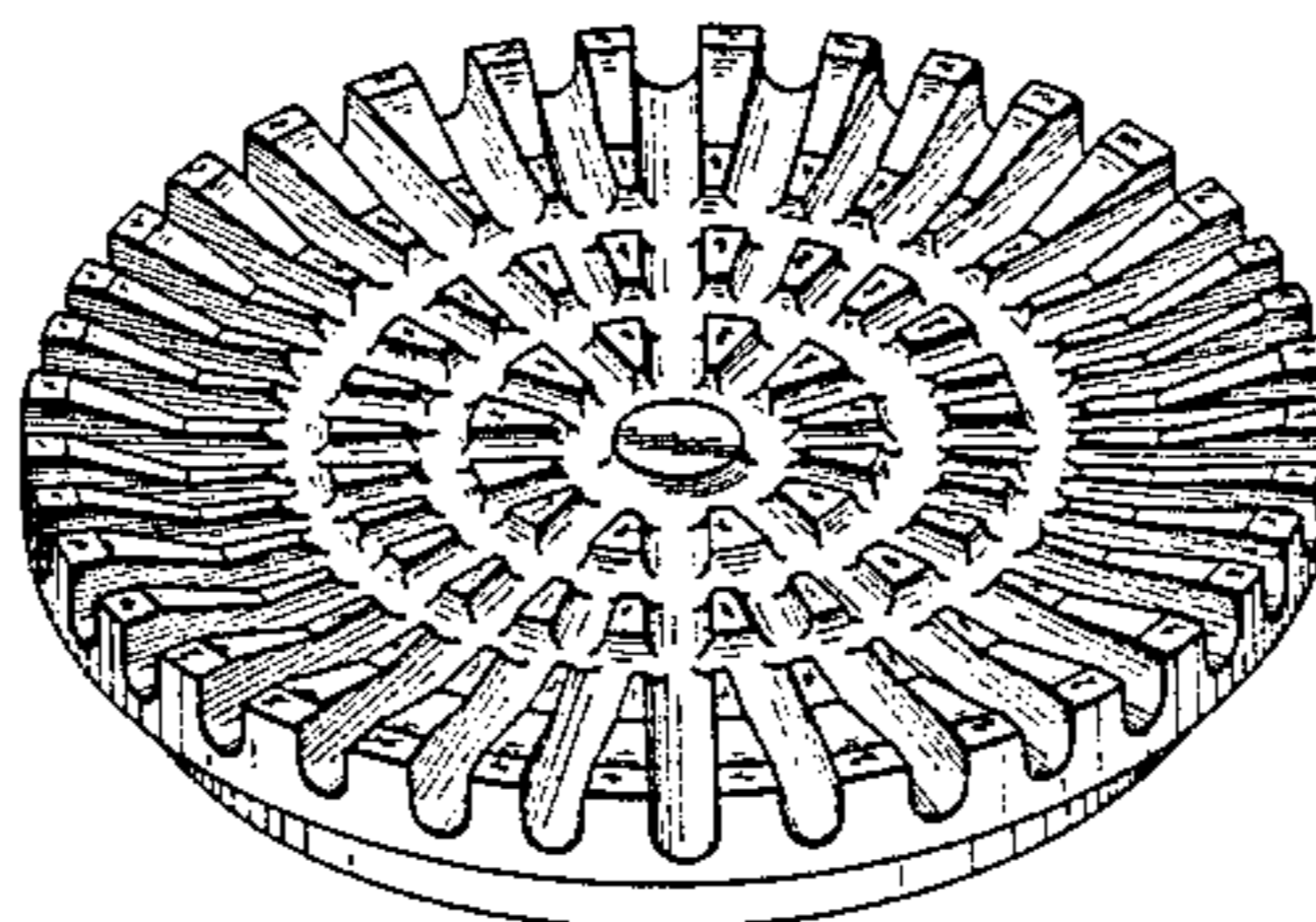
DESCRIPTION

FIG. 1 is a perspective view of the coffee maker warmer plate cover or similar article showing my new design;

FIG. 2 is a top plan view thereof;

FIG. 3 is a side elevational view thereof; and

FIG. 4 is a bottom plan view thereof.



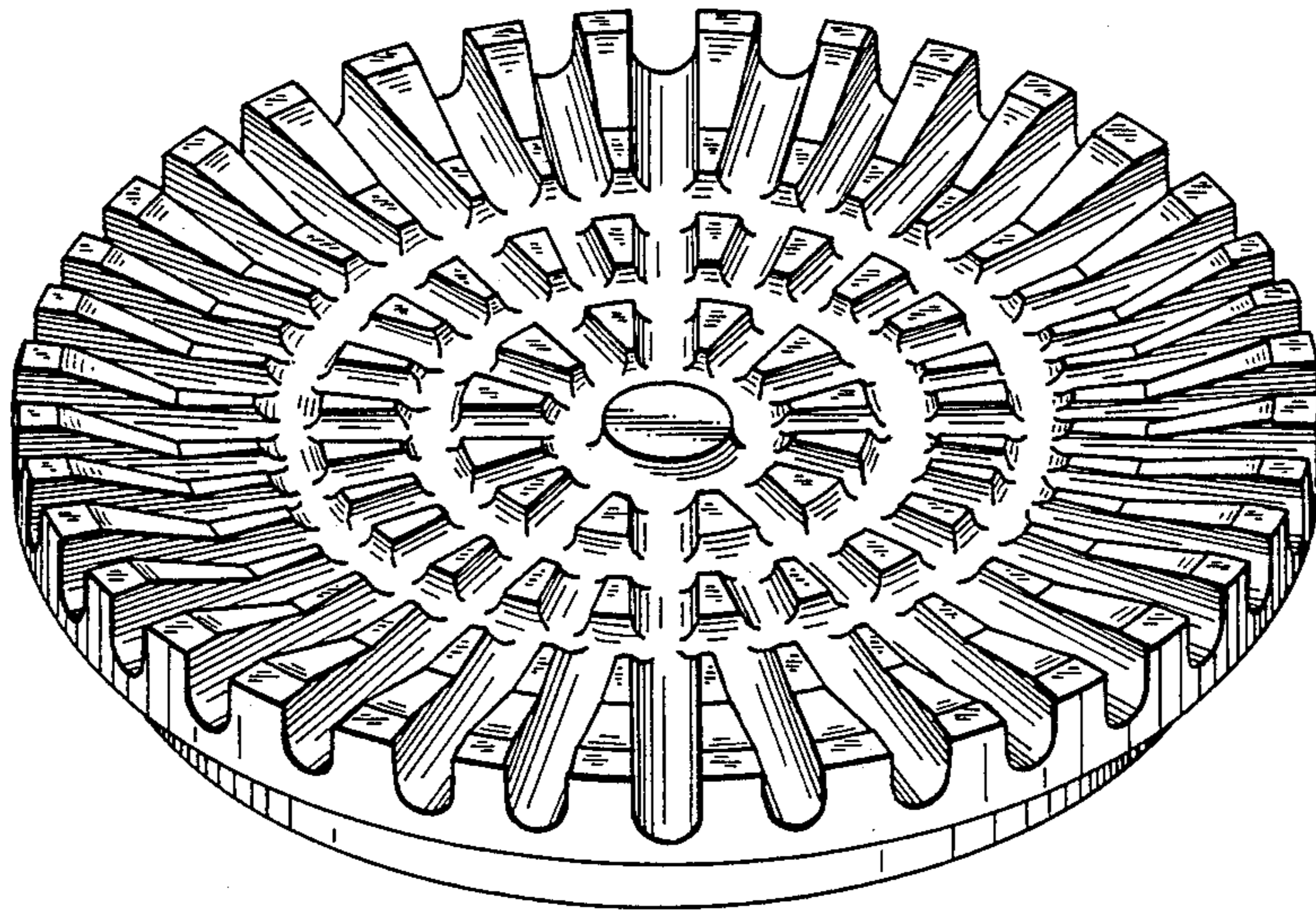


FIG. 1

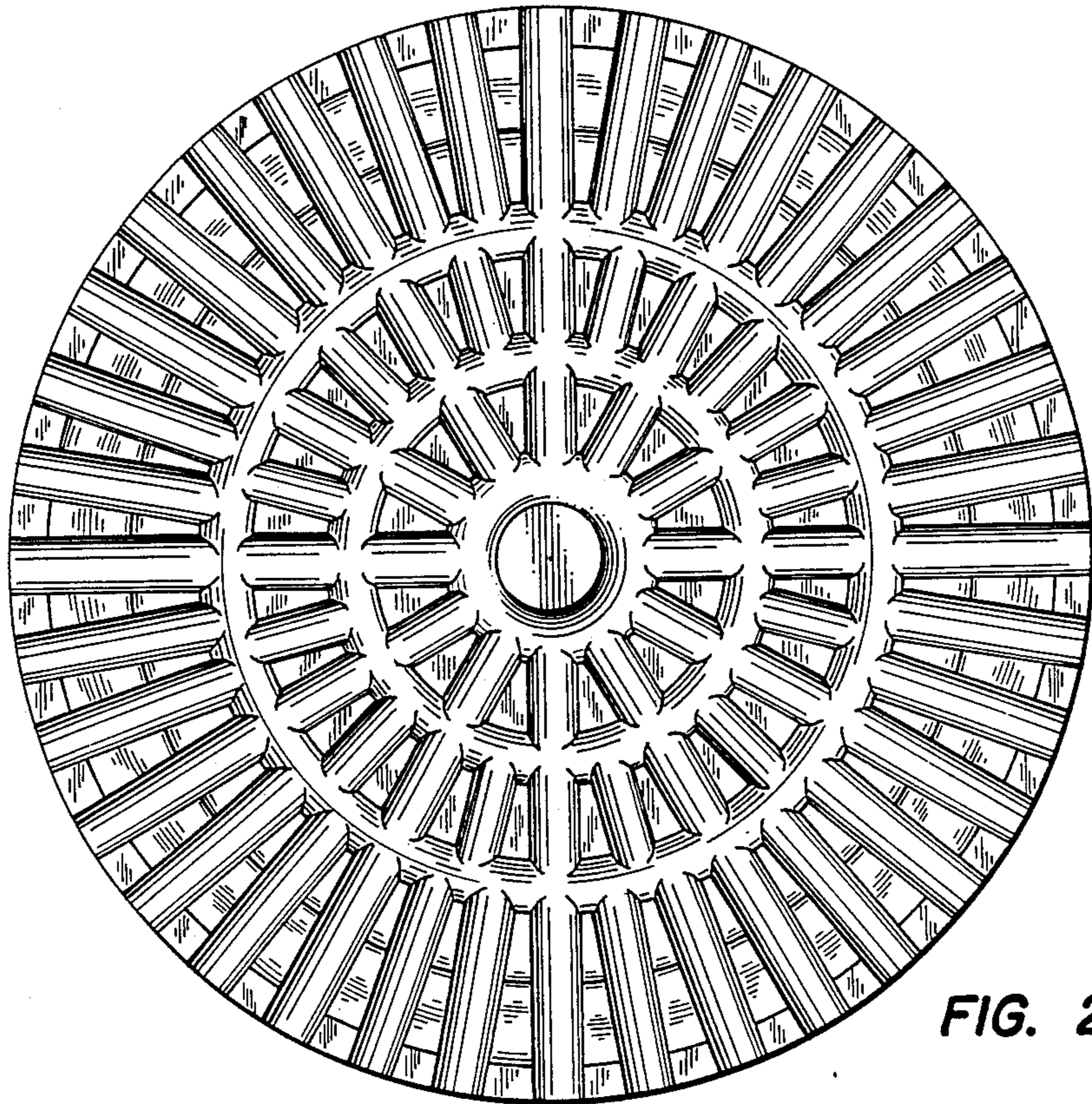


FIG. 2

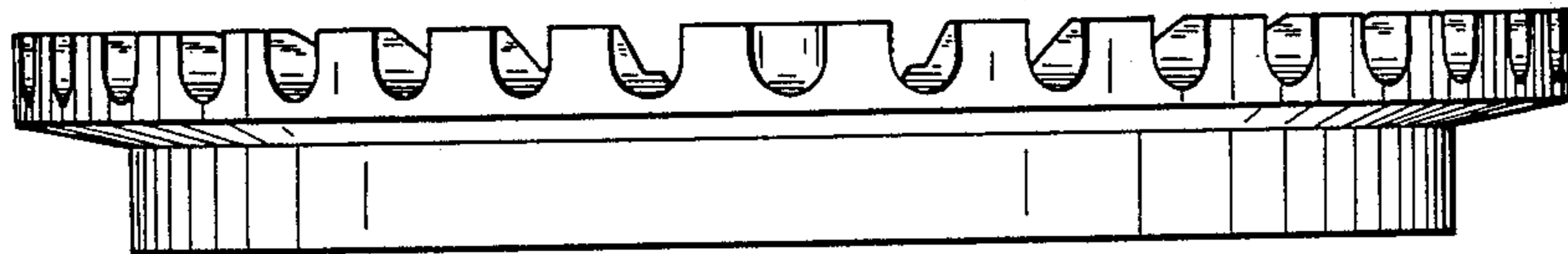


FIG. 3

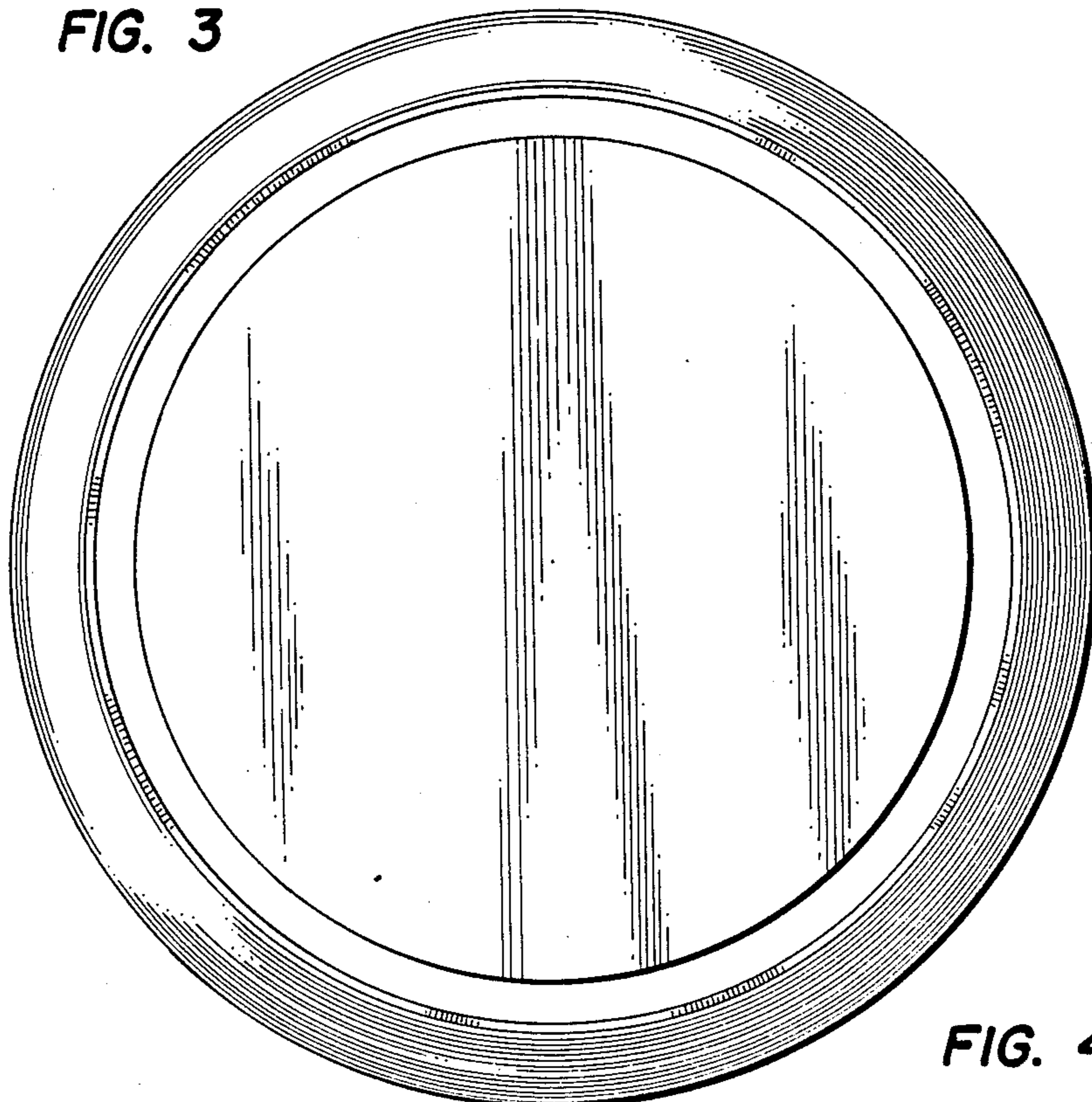


FIG. 4