

- [54] FORK
- [75] Inventor: Larry G. Zimmerman, North  
Smithfield, R.I.
- [73] Assignee: Dart Industries Inc., Deerfield, Ill.
- [\*\*] Term: 14 Years
- [21] Appl. No.: 341,329
- [22] Filed: Apr. 21, 1989

Related U.S. Application Data

- [62] Division of Ser. No. 847,608, Apr. 1, 1986, Pat. No.  
Des. 301,533.
- [52] U.S. Cl. .... D7/106
- [58] Field of Search ..... D7/99-106,  
D7/137-138, 151-152; 294/55.5, 57; 30/322-323

References Cited

U.S. PATENT DOCUMENTS

- D. 254,770 4/1980 Christen, Jr. .... D7/106 X

1,818,296 8/1931 Bothe ..... 30/322

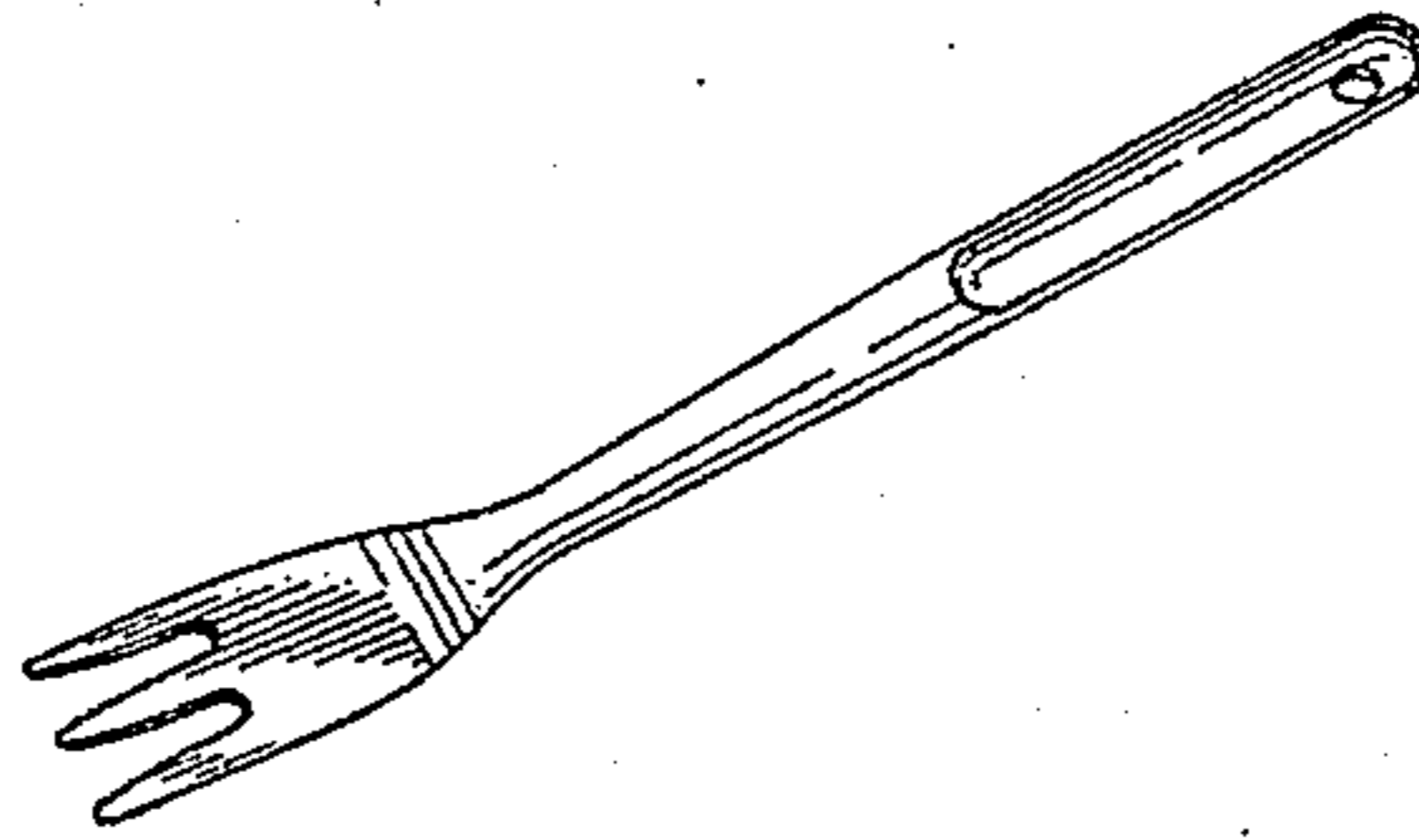
*Primary Examiner*—Bernard Ansher  
*Assistant Examiner*—Terry A. Pfeffer  
*Attorney, Agent, or Firm*—John A. Doninger

[57] CLAIM

The ornamental design for a fork, as shown and described.

DESCRIPTION

FIG. 1 is a top perspective view of a fork showing my new design;  
 FIG. 2 is a bottom perspective view thereof;  
 FIG. 3 is a top plan view thereof;  
 FIG. 4 is a side elevational view thereof;  
 FIG. 5 is a bottom plan view thereof;  
 FIG. 6 is a cross-sectional view taken along line 6—6 of FIG. 3;  
 FIG. 7 is a cross-sectional view taken along line 7—7 of FIG. 4; and  
 FIG. 8 is a cross-sectional view taken along line 8—8 of FIG. 4.



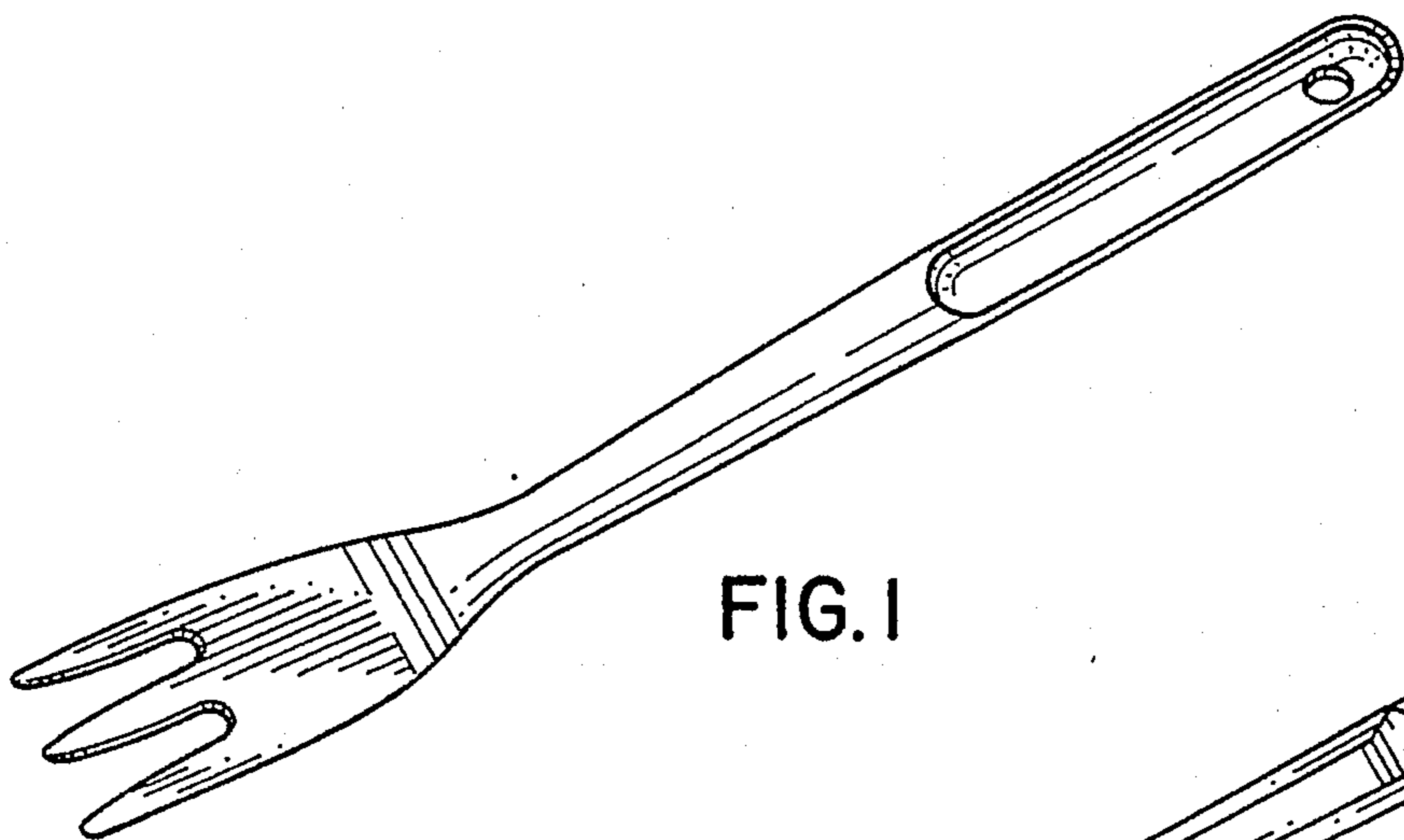


FIG. 1

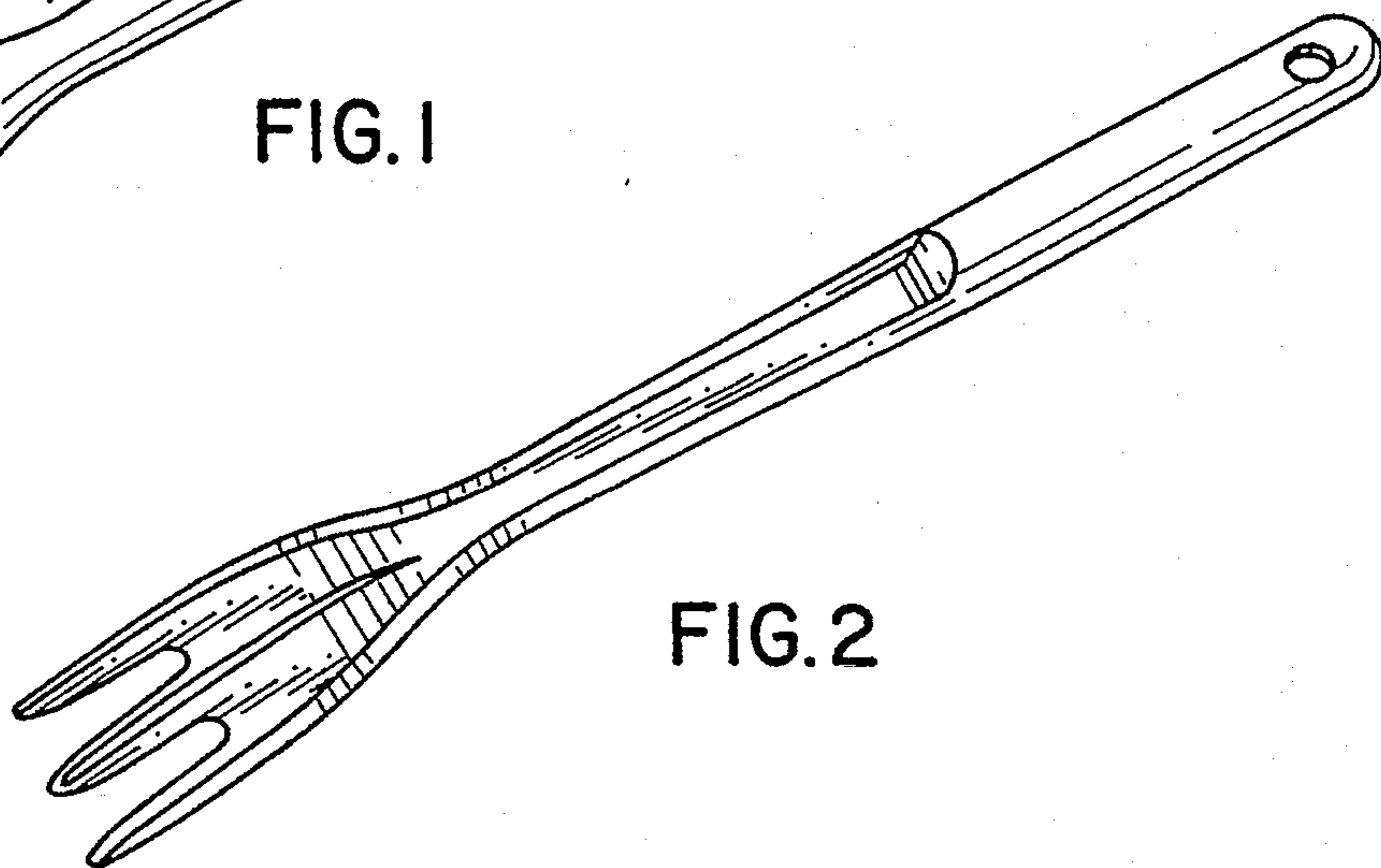


FIG. 2

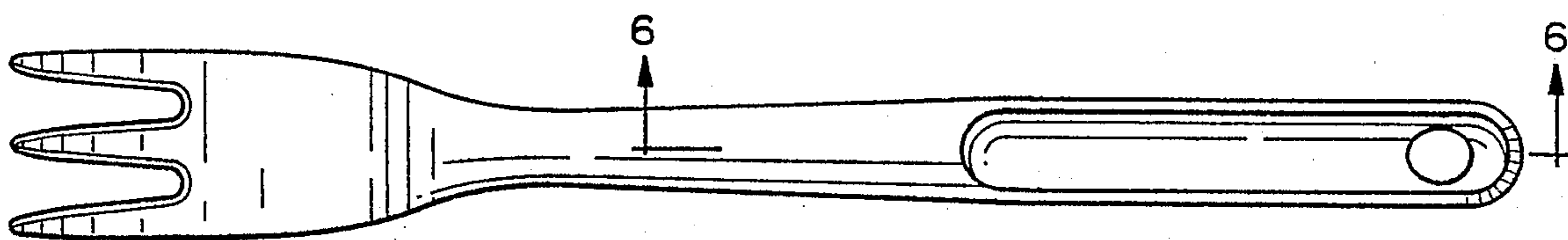


FIG. 3

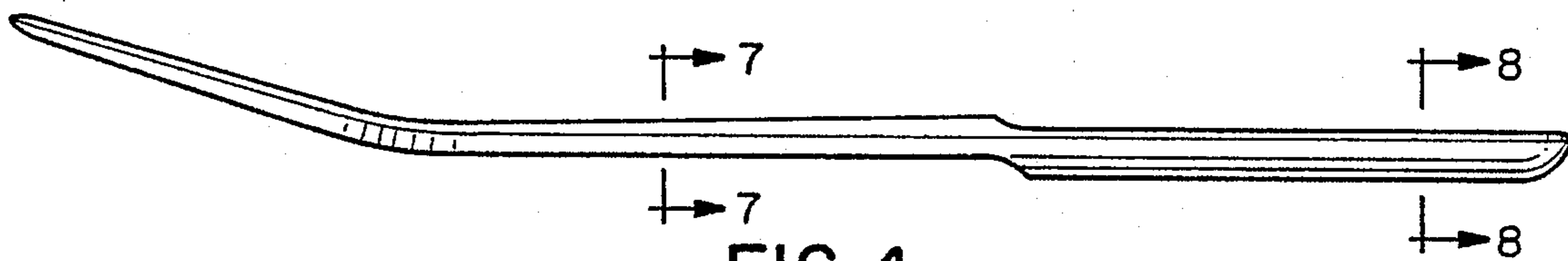


FIG. 4

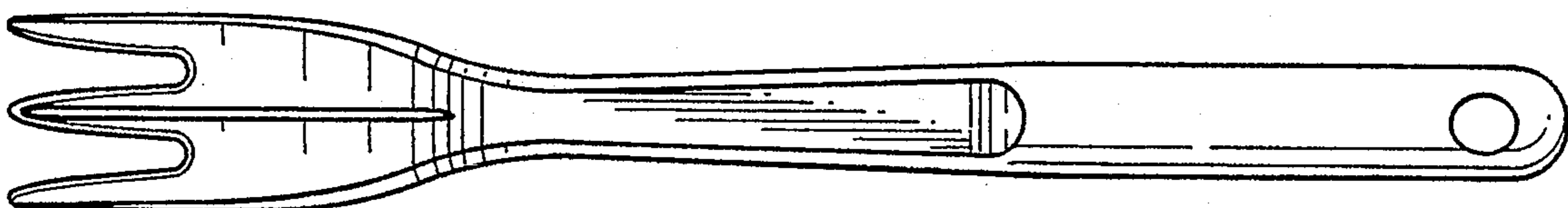


FIG. 5



FIG. 6

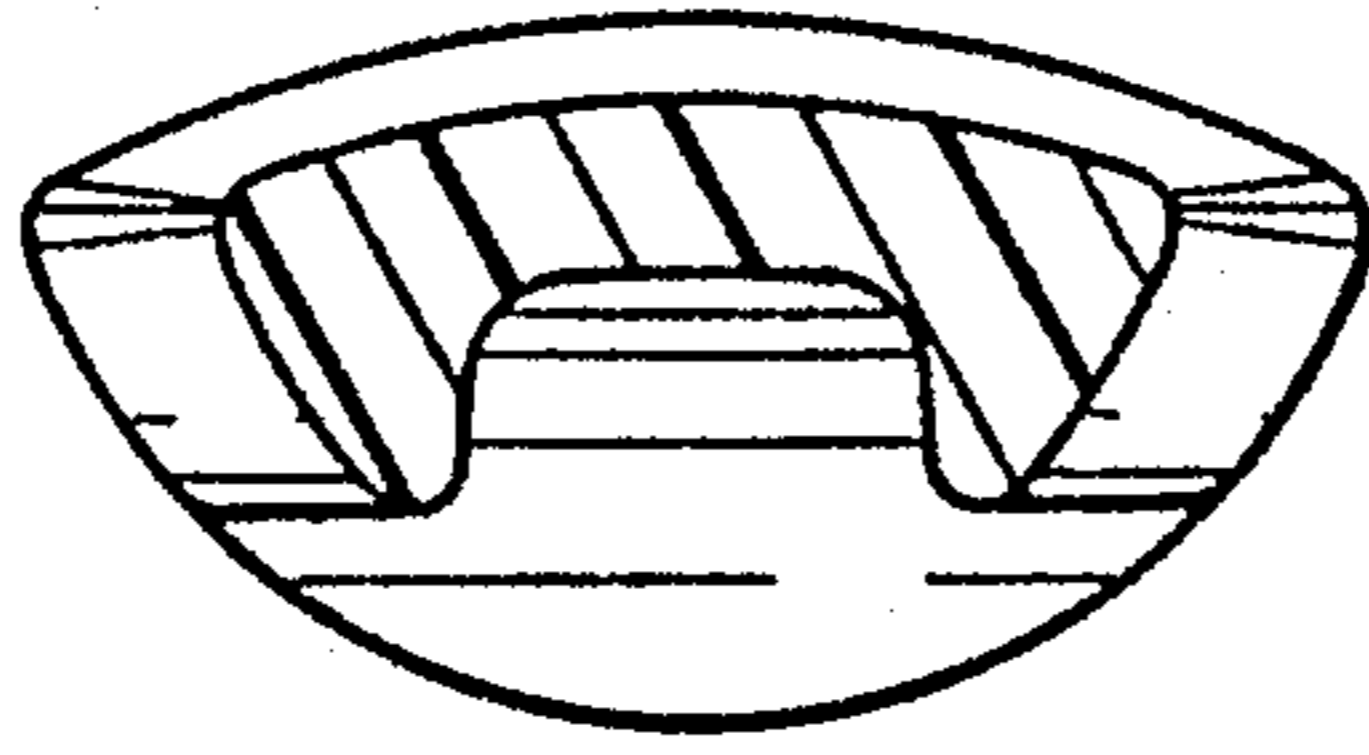


FIG. 7

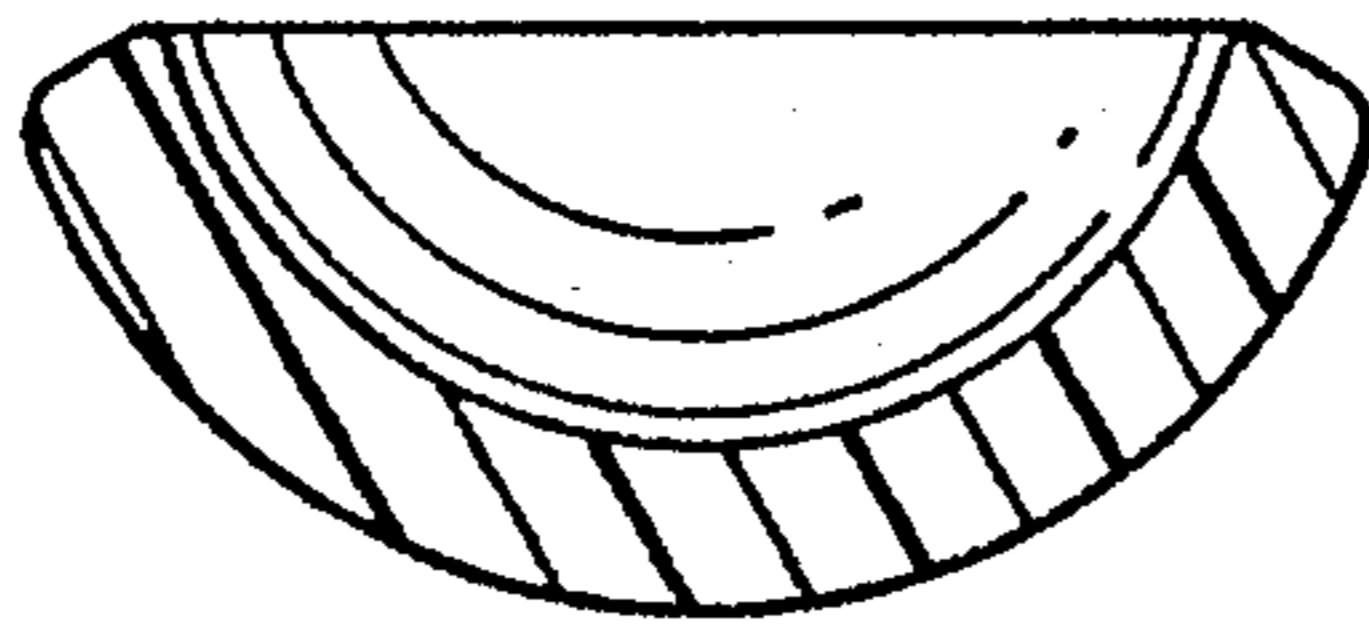


FIG. 8