

[54] SPATULA

[75] Inventor: Larry G. Zimmerman, North
Smithfield, R.I.

[73] Assignee: Dart Industries, Inc., Deerfield, Ill.

[**] Term: 14 Years

[21] Appl. No.: 341,330

[22] Filed: Apr. 21, 1989

Related U.S. Application Data

[62] Division of Ser. No. 847,608, Apr. 1, 1986, Pat. No.
Des. 301,533.

[52] U.S. Cl. D7/102

[58] Field of Search D7/99-106,
D7/137-138, 151-152; 30/325, 327; 294/7

[56] References Cited

U.S. PATENT DOCUMENTS

D. 268,243 3/1983 Morin D7/102

D. 293,295 12/1987 Johnson D7/102

Primary Examiner—Bernard Ansher
Assistant Examiner—Terry A. Pfeffer
Attorney, Agent, or Firm—John A. Doninger

[57] CLAIM

The ornamental design for a spatula, as shown and described.

DESCRIPTION

FIG. 1 is a top perspective view of a spatula showing my new design;

FIG. 2 is a bottom perspective view thereof;

FIG. 3 is a top plan view thereof;

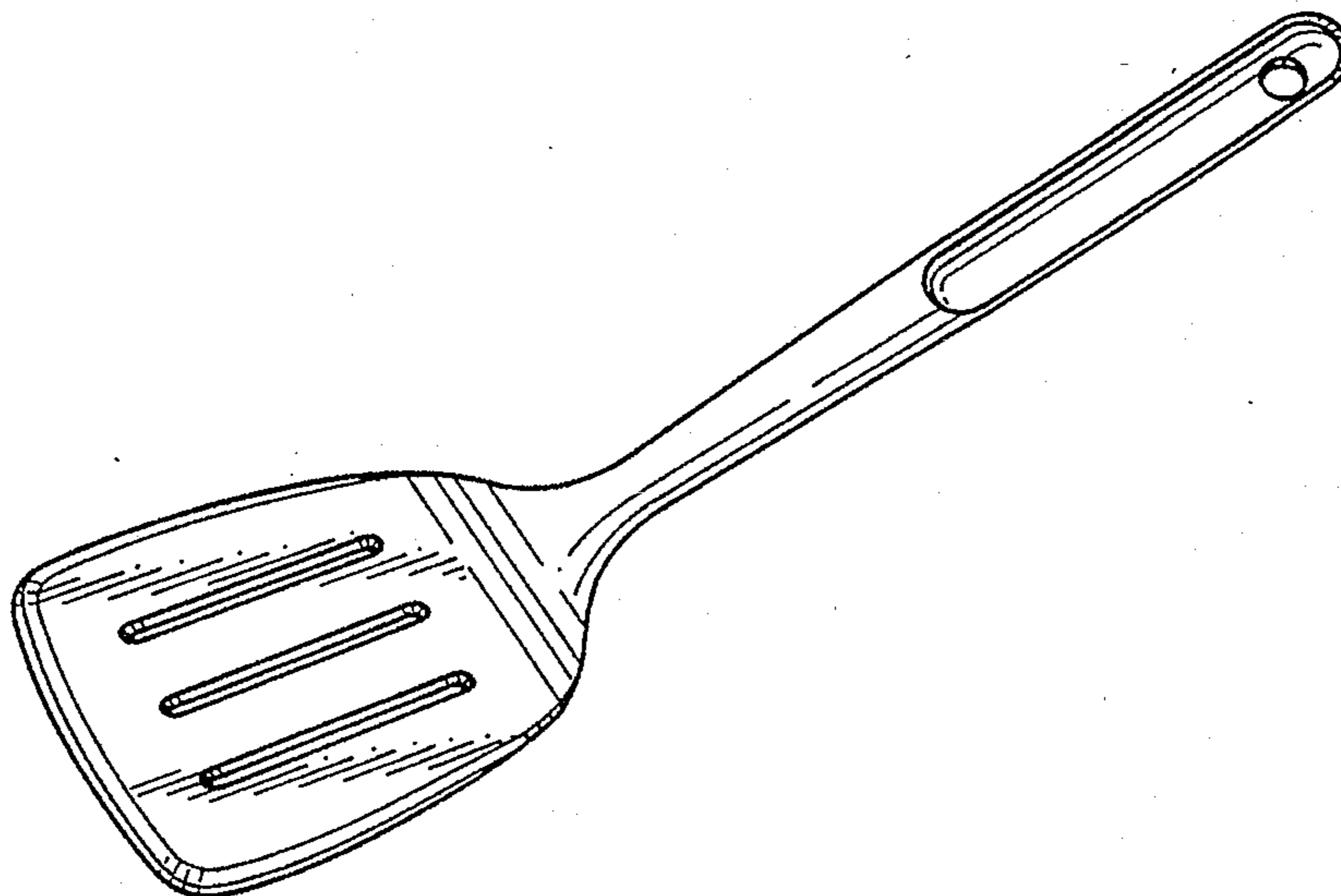
FIG. 4 is a side elevational view thereof;

FIG. 5 is a bottom plan view thereof;

FIG. 6 is a cross-sectional view taken along line 6—6 of FIG. 3;

FIG. 7 is a cross-sectional view taken along line 7—7 of FIG. 4; and

FIG. 8 is a cross-sectional view taken along line 8—8 of FIG. 4.



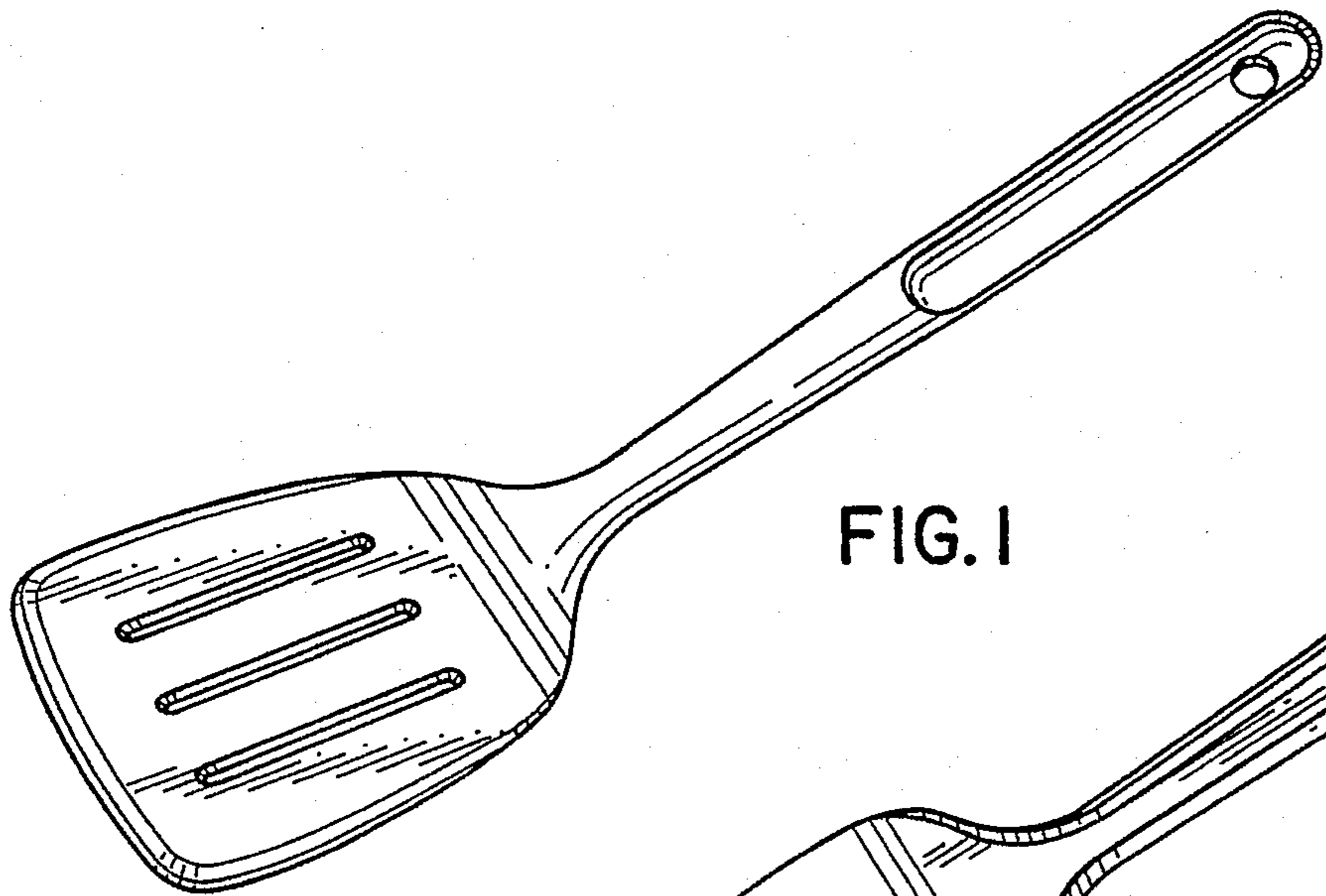


FIG. 1

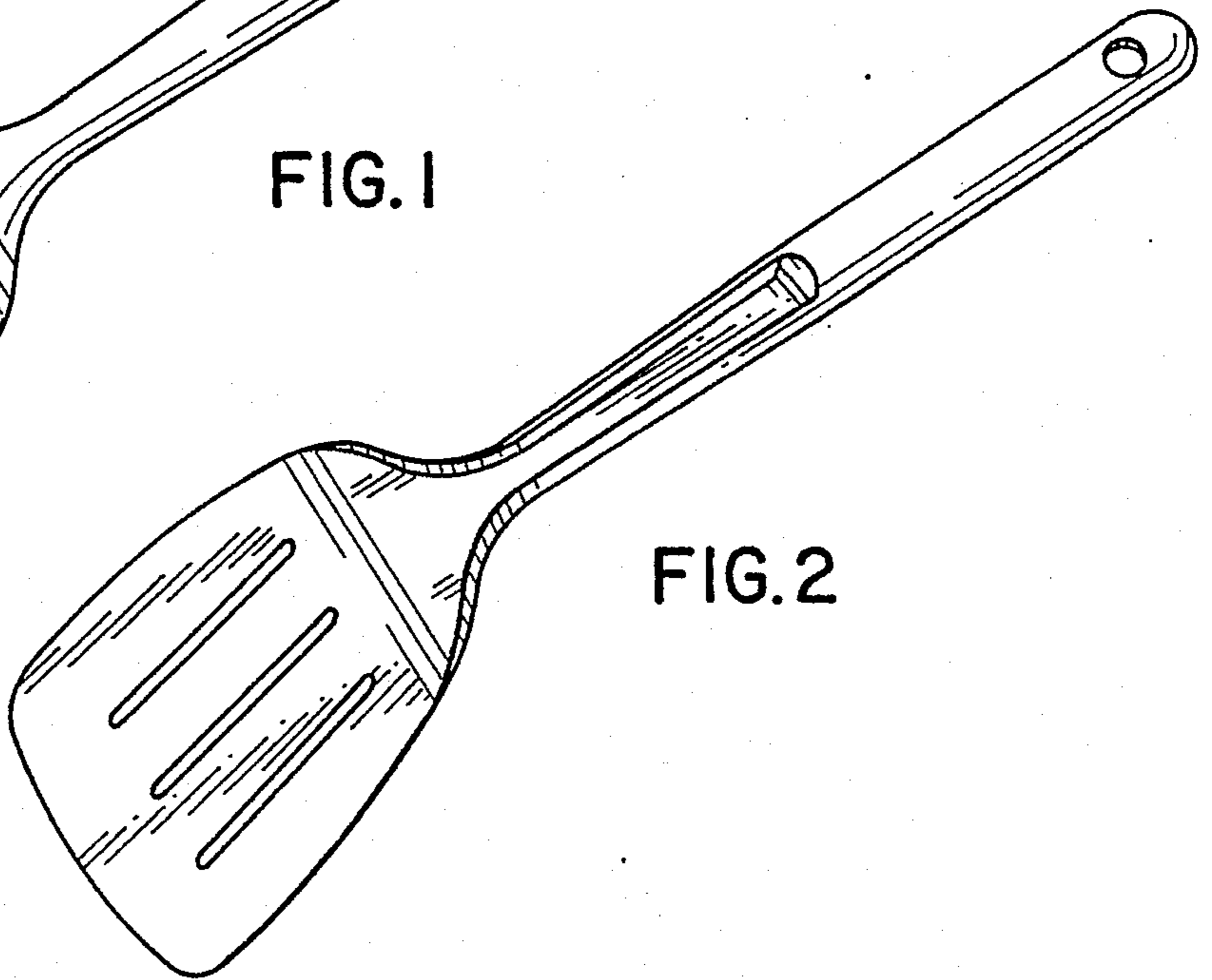


FIG. 2

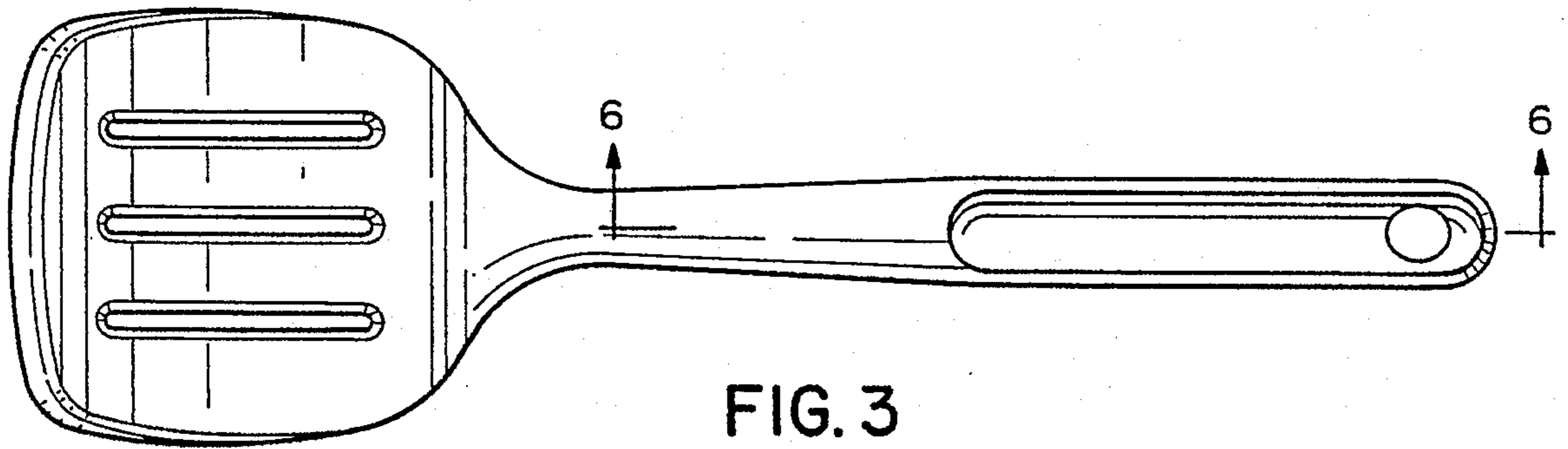


FIG. 3

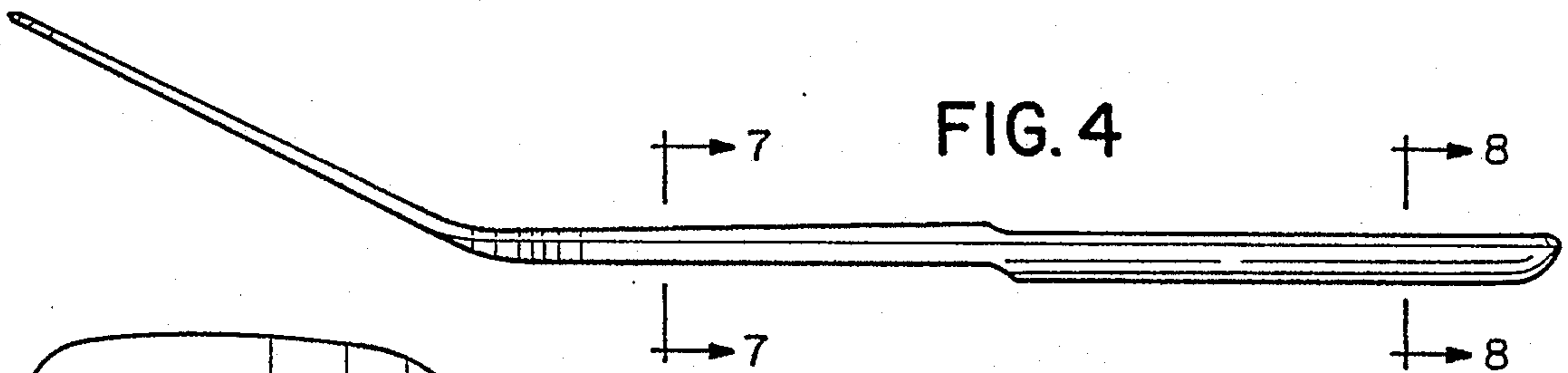


FIG. 4

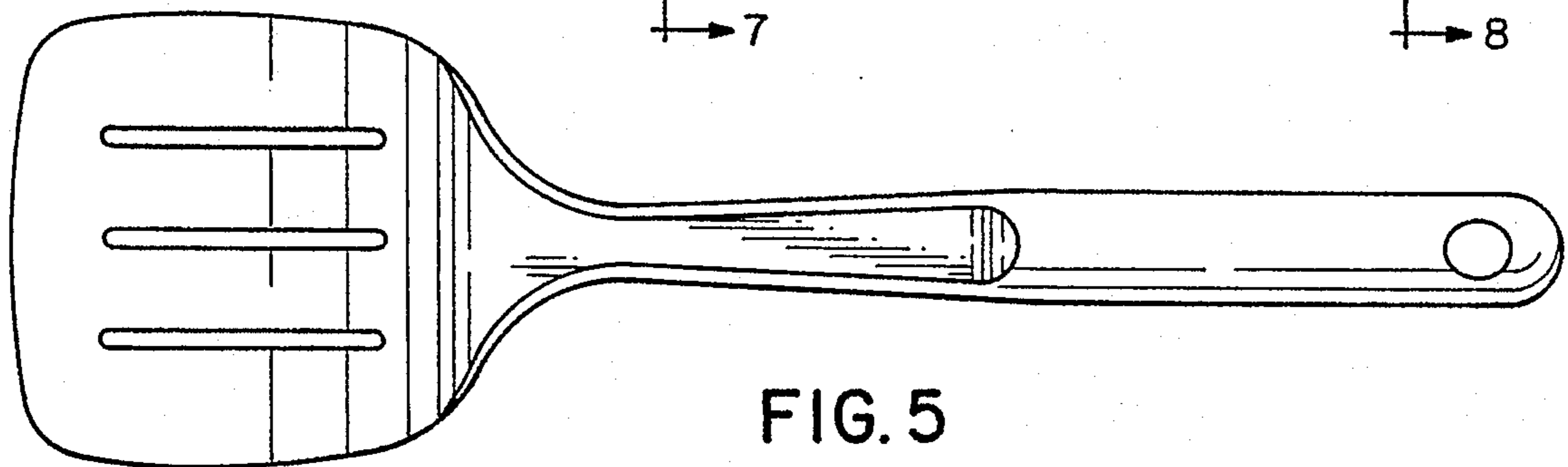


FIG. 5



FIG. 6

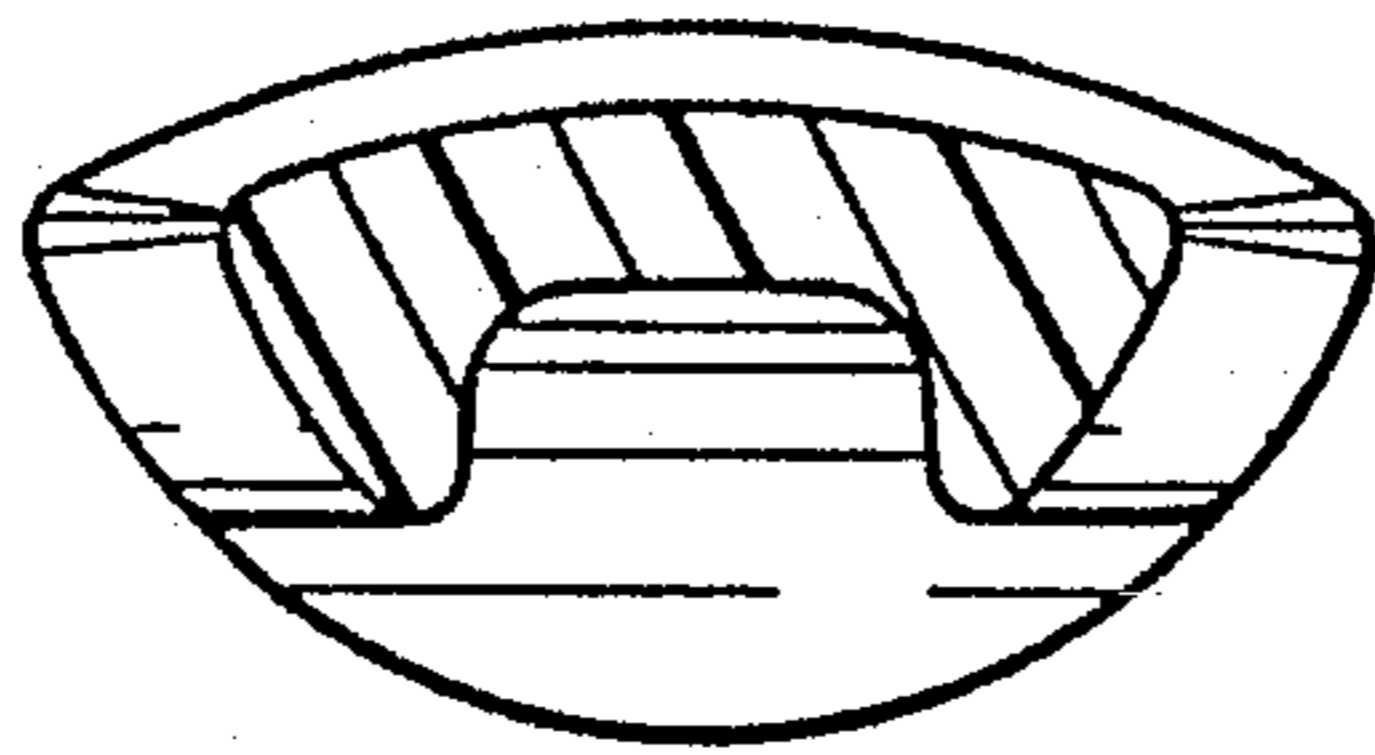


FIG. 7

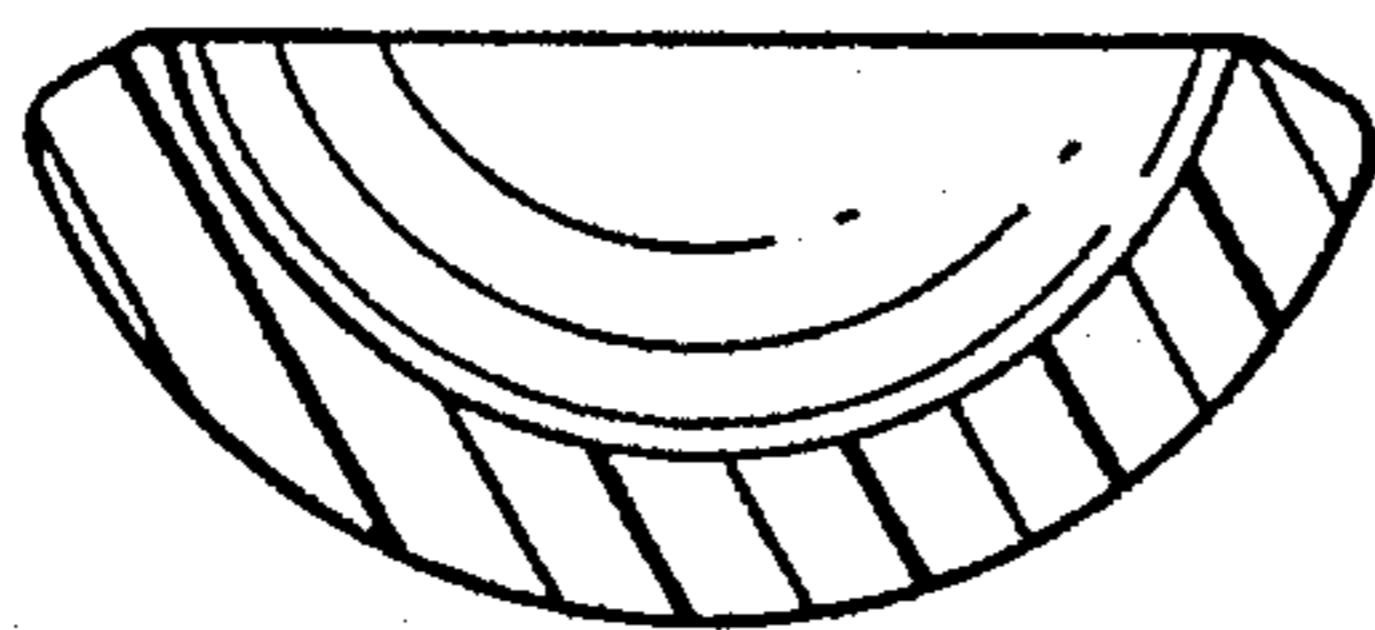


FIG. 8