

[54] CORN COB HOLDER

[76] Inventor: Stanley Moll, 14-6 Granada Crescent, White Plains, N.Y. 10603

[**] Term: 14 Years

[21] Appl. No.: 12,200

[22] Filed: Feb. 9, 1987

[52] U.S. Cl. D7/42

[58] Field of Search D7/42, 99; 294/5, 61

[56] References Cited

U.S. PATENT DOCUMENTS

- D. 26,777 3/1897 Donnelly D7/42
- D. 274,207 6/1984 Lenaghan D7/42
- 3,173,689 3/1965 Serblin D21/222 X

Primary Examiner—Bernard Ansher
Assistant Examiner—Terry A. Pfeffer
Attorney, Agent, or Firm—Anthony J. Casella; Gerald E. Hespos

[57] CLAIM

The ornamental design of a corn cob holder, as shown and described.

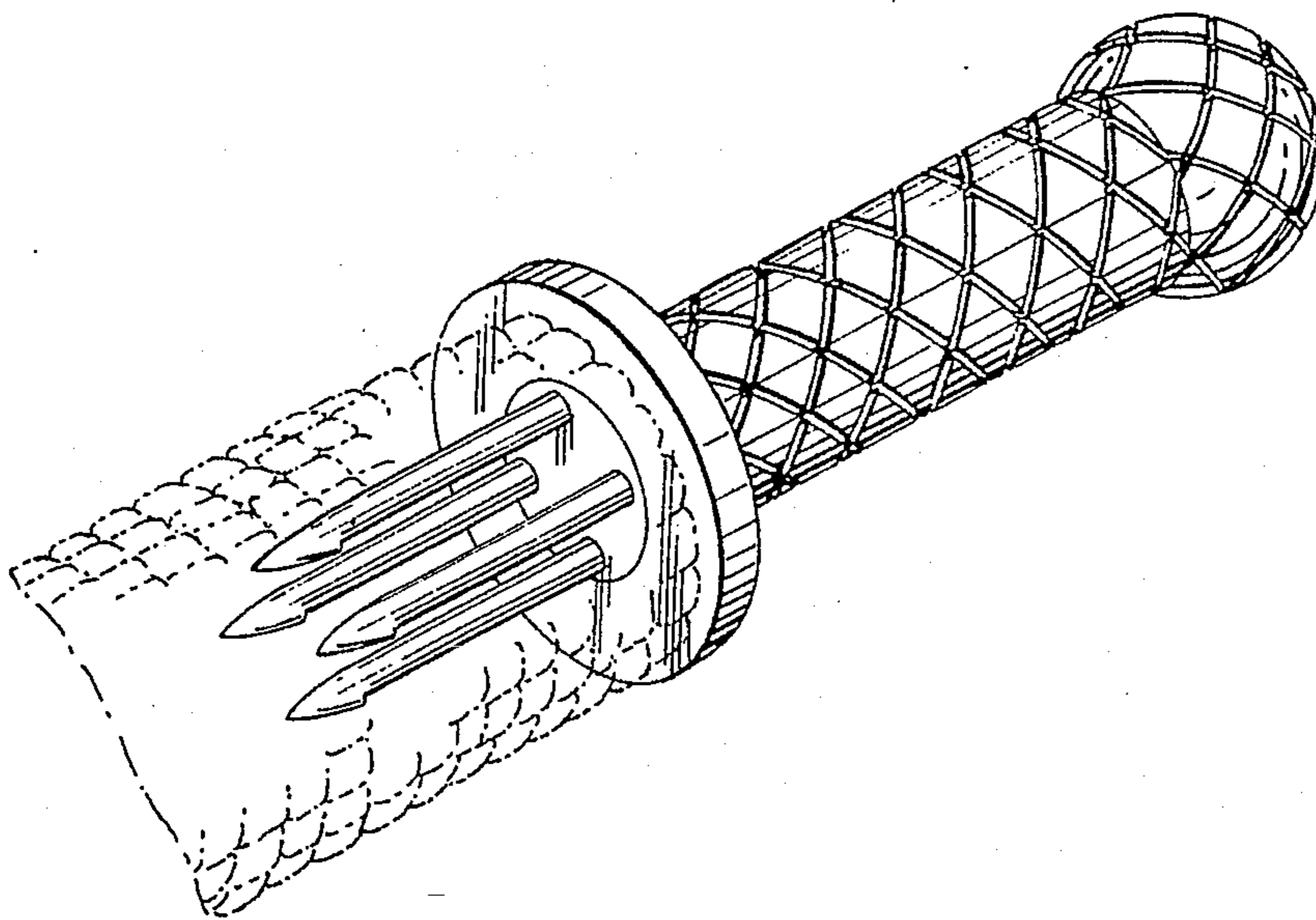
DESCRIPTION

FIG. 1 is a perspective view of a corn cob holder showing my new design, the cob shown in broken lines for illustrative purposes only;

FIG. 2 is a front elevational view thereof, the opposite side being a mirror image;

FIG. 3 is a left side elevational view thereof; and

FIG. 4 is a right side elevational view thereof.



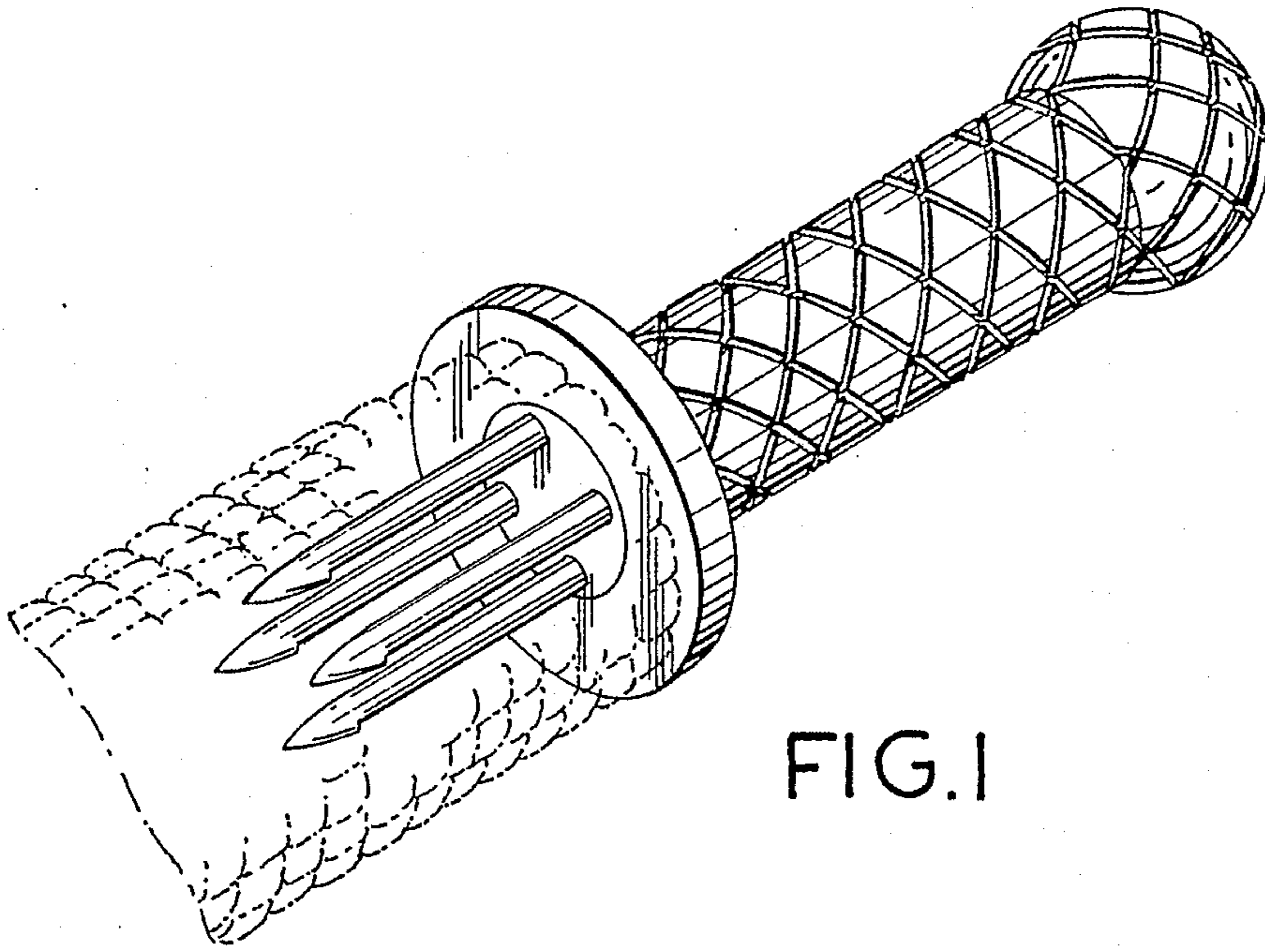


FIG. 1

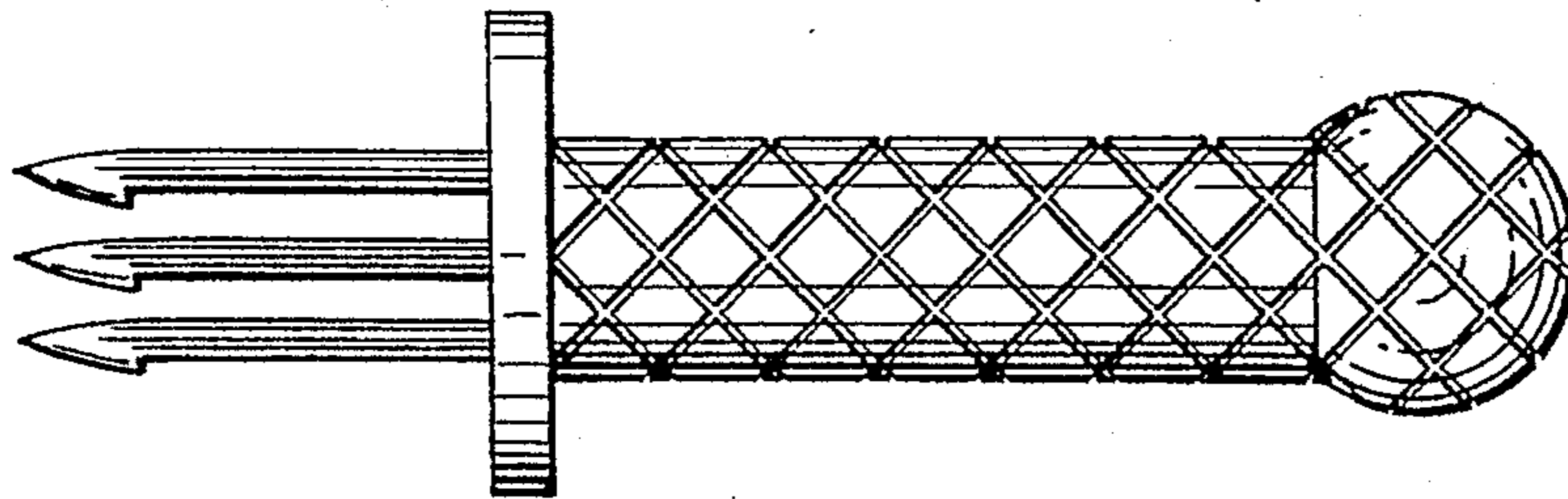


FIG. 2

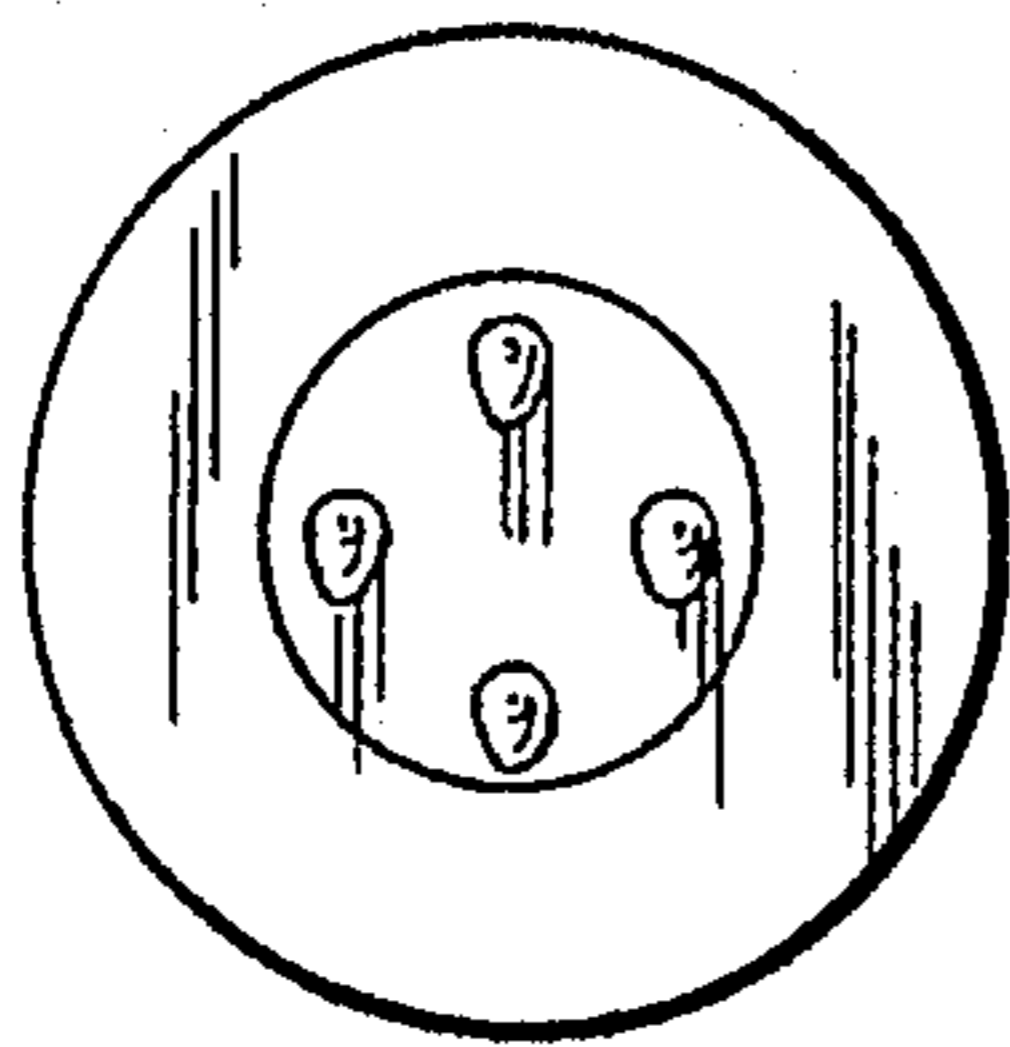


FIG. 3

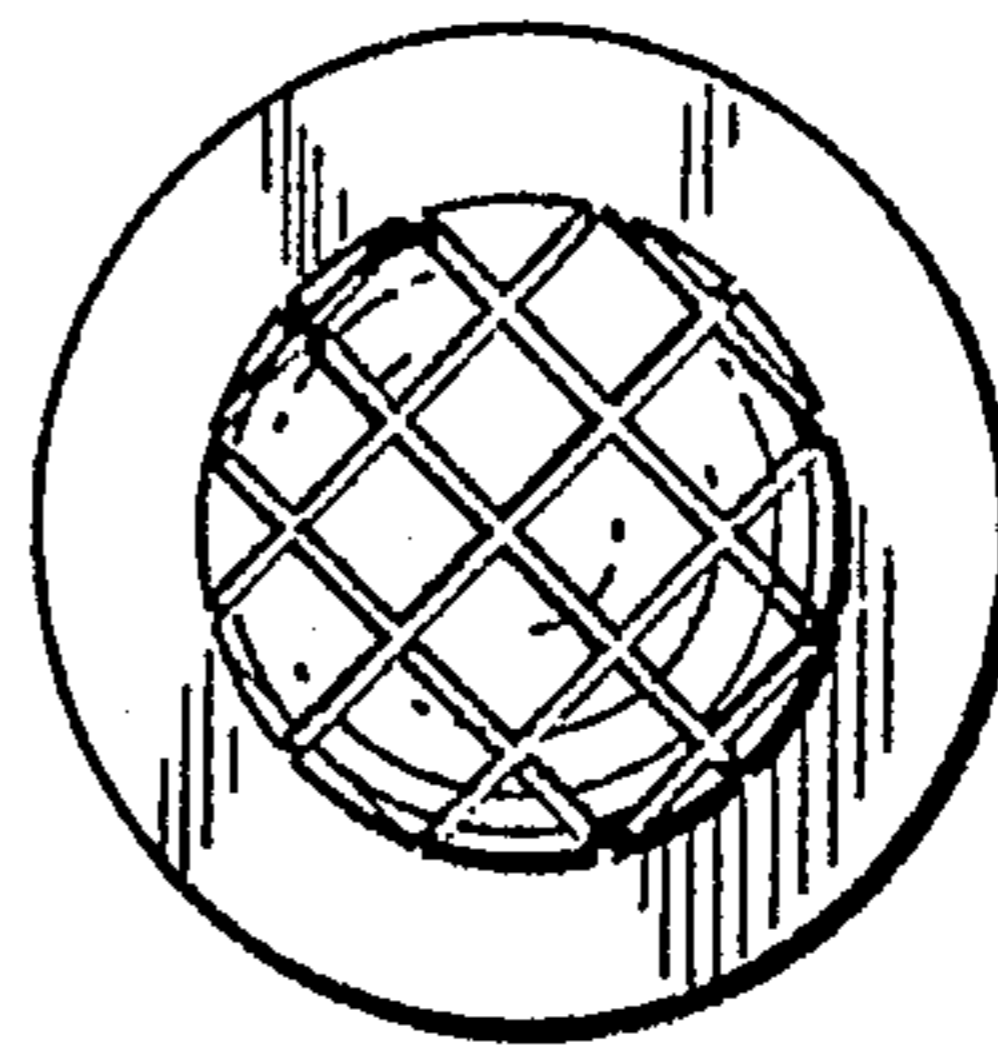


FIG. 4