

[54] FOOD TRAY OR SIMILAR ARTICLE

D. 138,778 9/1944 Millstein D9/308
D. 185,733 7/1959 Cagan et al. D21/77

[75] Inventor: Leonard C. McCarron, Asharoken,
N.Y.

[73] Assignee: E. I. Du Pont de Nemours & Co.,
Wilmington, Del.

[**] Term: 14 Years

[21] Appl. No.: 64,601

[22] Filed: Jun. 22, 1987

[52] U.S. Cl. D7/5; D9/308;
D21/77; D21/87

[58] Field of Search D7/5, 43, 1, 38, 301-303;
D1/106, 113; D9/307, 308; D11/157, 163;
D21/77, 90, 87

[56] References Cited

U.S. PATENT DOCUMENTS

D. 73,884 11/1927 Weisenfreind D7/301
D. 75,473 6/1928 Branston D7/301

OTHER PUBLICATIONS

Tableware International, Mar. 1978 (p. 25) "Publications
and Foreign Patents". Airplane Shaped Egg Cup
Shown.

Primary Examiner—Winifred E. Herrmann

[57] CLAIM

The ornamental design for a food tray or similar article,
as shown and described.

DESCRIPTION

FIG. 1 is a top, front and right side perspective view of
a food tray or similar article showing my new design;
FIG. 2 is a top plan view thereof;
FIG. 3 is a bottom plan view thereof;
FIG. 4 is a right side elevational view thereof, the side
opposite is a mirror image thereof; and
FIG. 5 is a rear elevational view thereof.

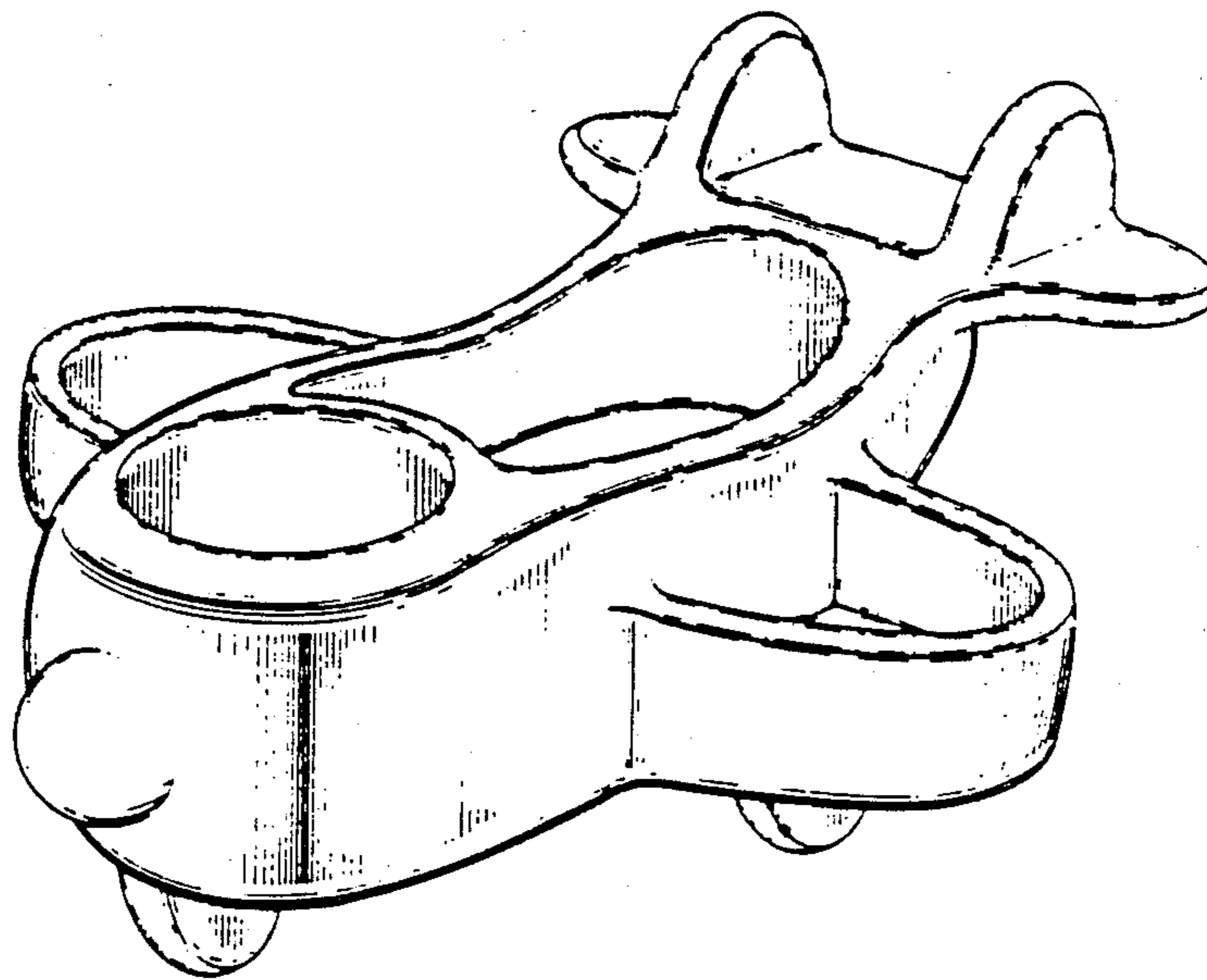


FIG. 1

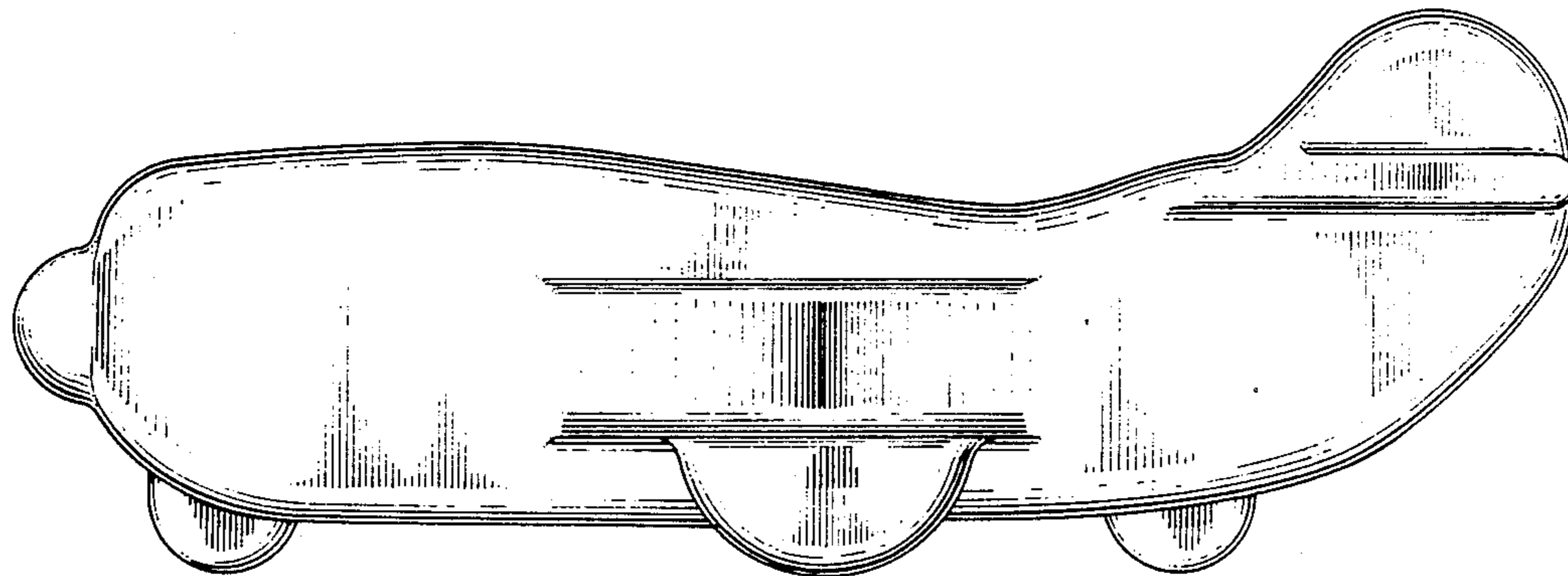
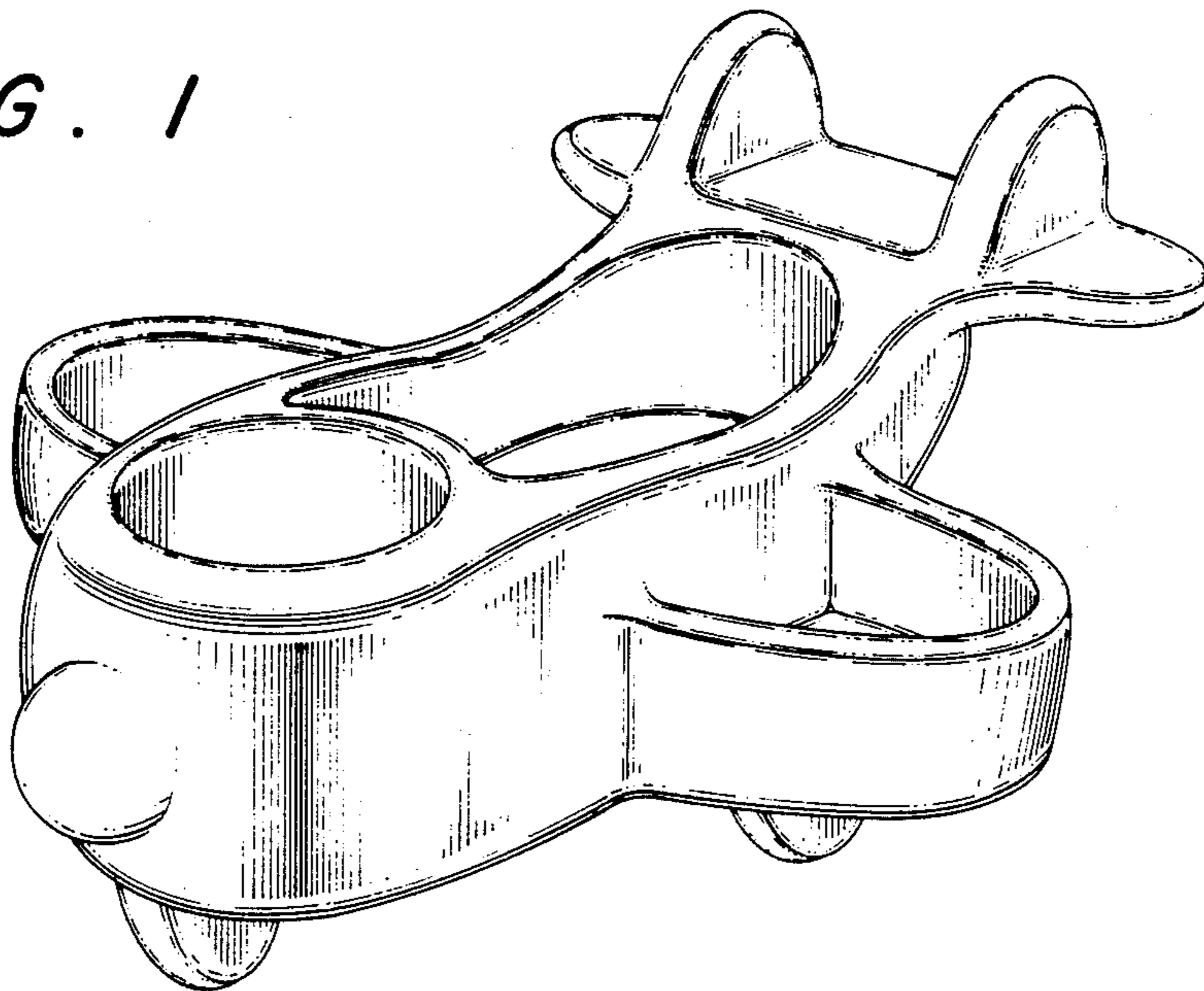
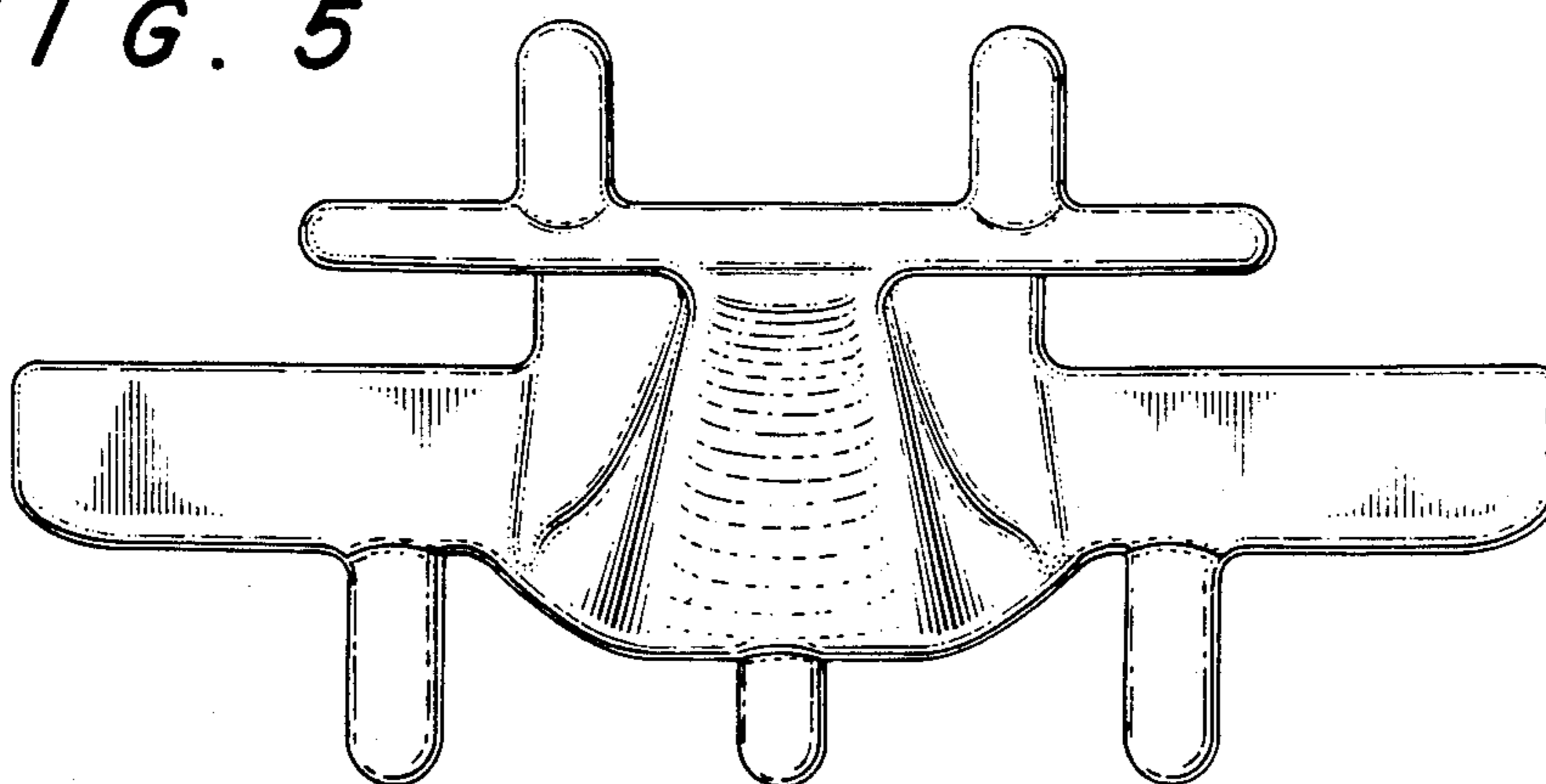


FIG. 4

FIG. 5



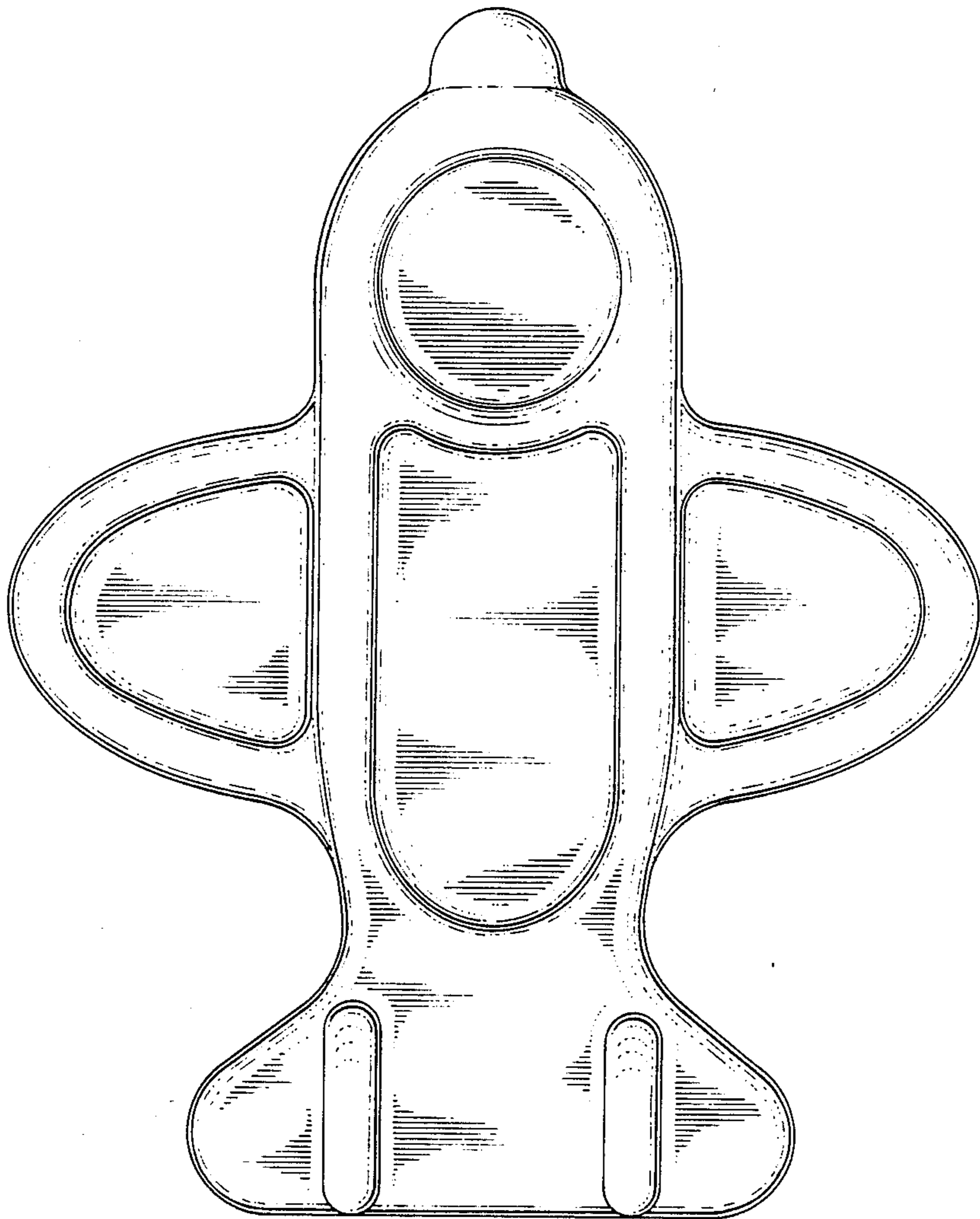


FIG. 2

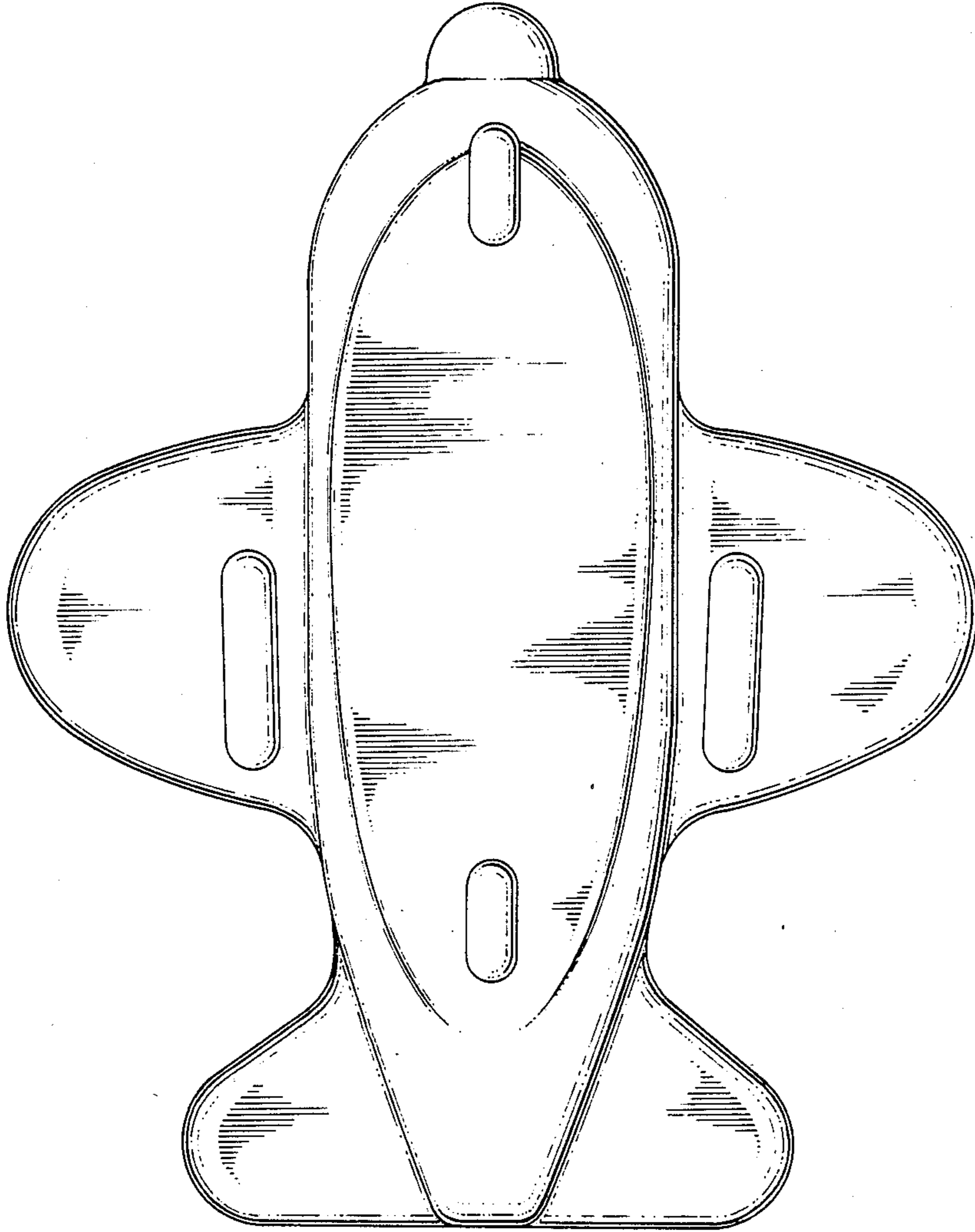


FIG. 3