

[54] TABLE

[75] Inventor: Paolo Borsani, Milan, Italy

[73] Assignee: Tecno S.p.A. Mobiliе Forniture per Arredamento, Milan, Italy

[**] Term: 14 Years

[21] Appl. No.: 25,791

[22] Filed: Mar. 13, 1987

[30] Foreign Application Priority Data

Sep. 15, 1986 [IT] Italy 23024 B/86

[52] U.S. Cl. D6/487; D6/480

[58] Field of Search D6/396, 422, 423, 399, D6/425, 426, 449, 473-475, 477-480; 108/161, 64

[56] References Cited

U.S. PATENT DOCUMENTS

D. 179,301 11/1956 Jones et al. D6/480

D. 298,195 10/1988 Cionini D6/480 X

FOREIGN PATENT DOCUMENTS

208518 5/1940 Switzerland 108/161

Primary Examiner—Carmen H. Vales-Lado

Assistant Examiner—Schon C. Oppert

Attorney, Agent, or Firm—Herbert Dubno; Ronald Lianides

[57] CLAIM

The ornamental design for a table, as shown and described.

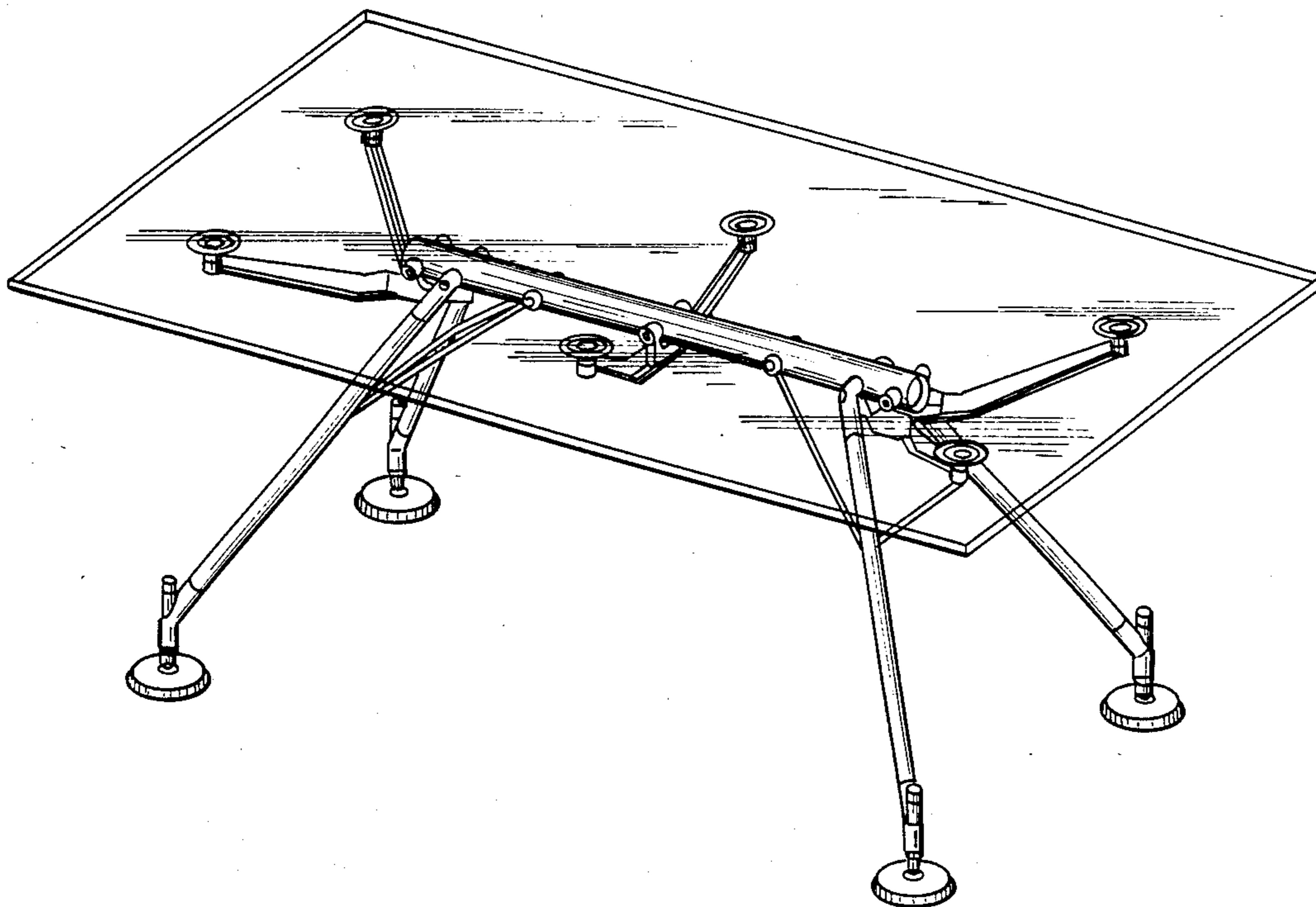
DESCRIPTION

FIG. 1 is a perspective view of a table showing my new design;

FIG. 2 is a top plan view thereof;

FIG. 3 is a front elevational view thereof, the rear view being identical thereto; and

FIG. 4 is an elevational view of one side thereof, the other side being identical thereto.



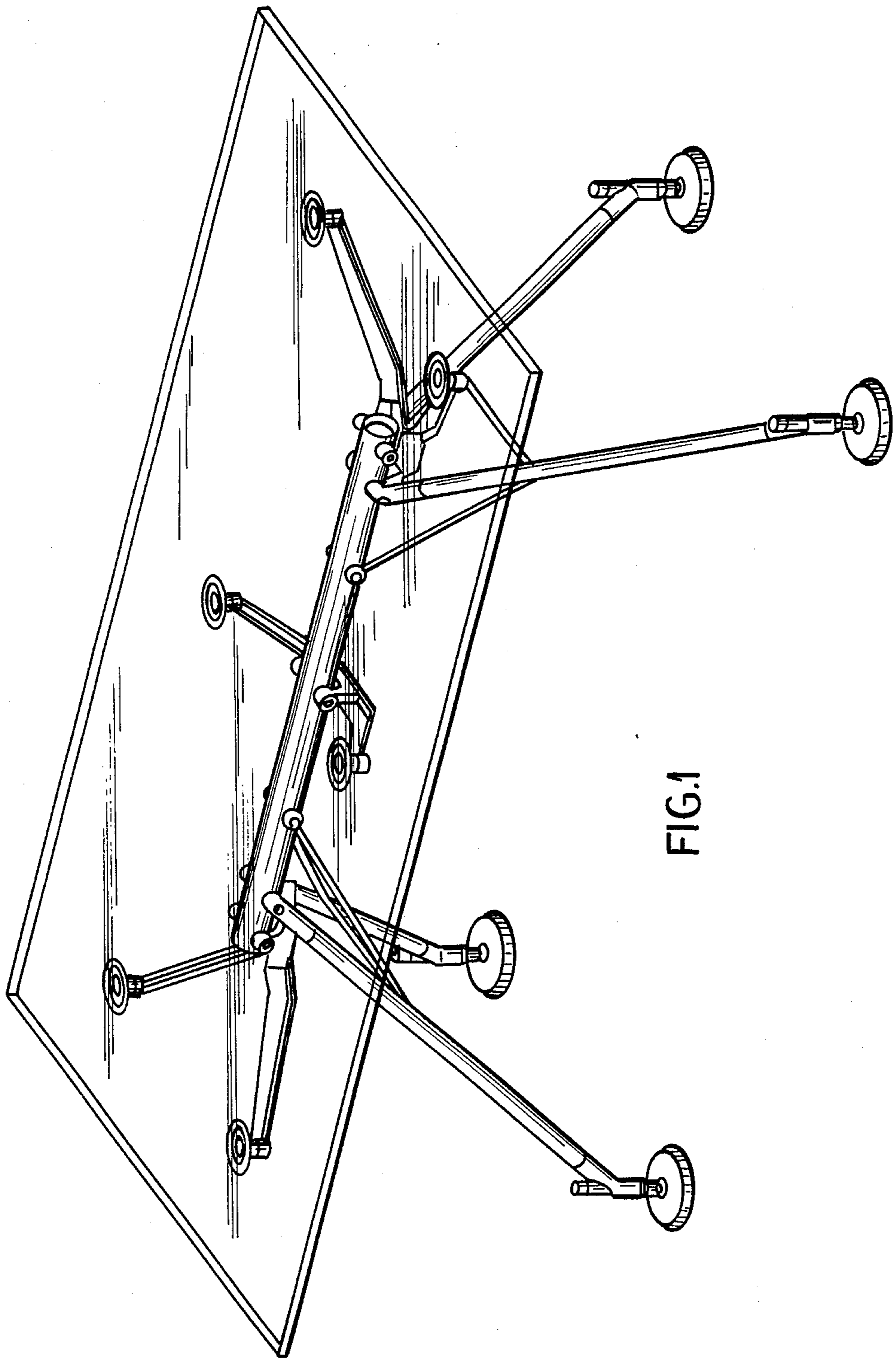


FIG. 1

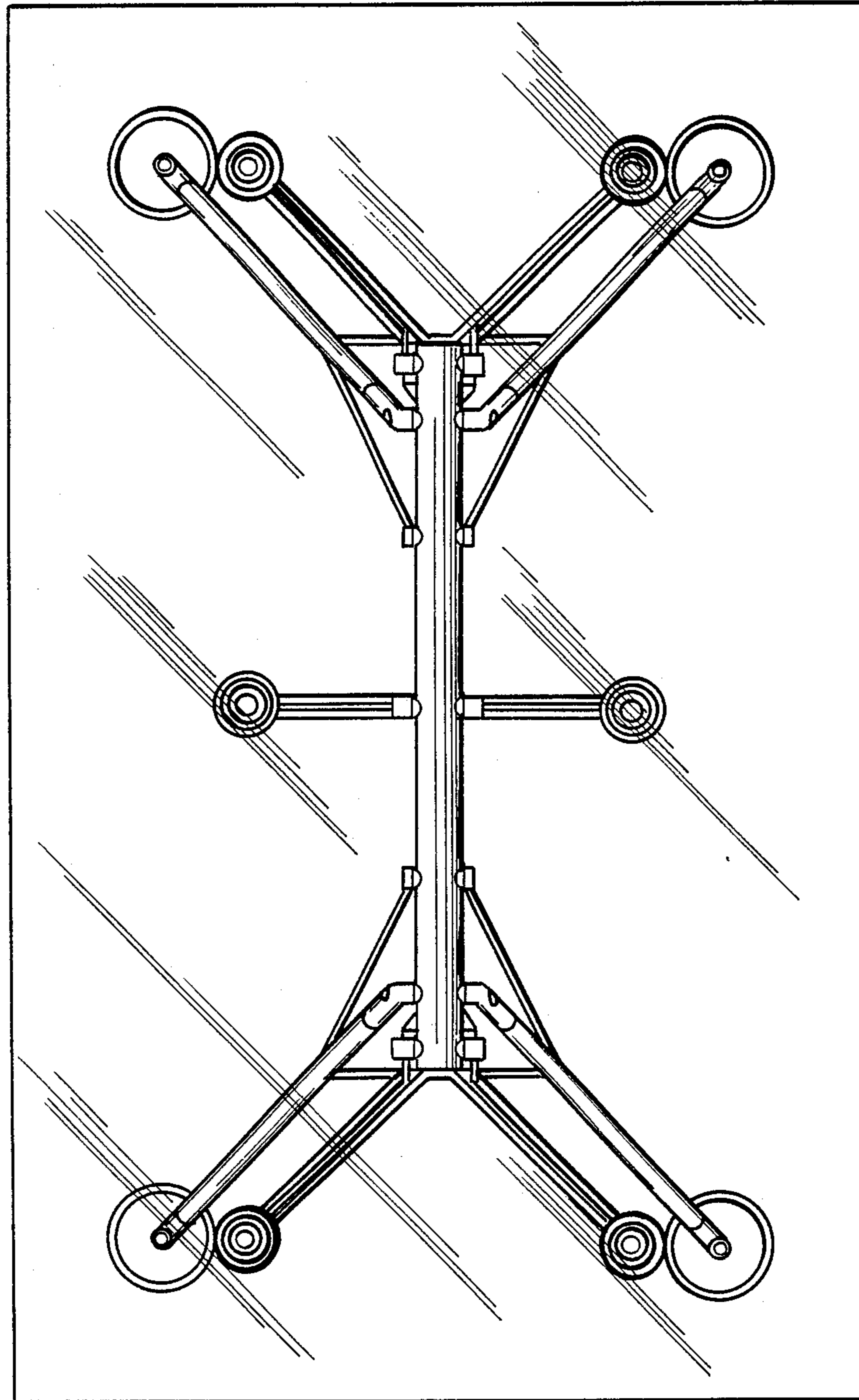


FIG. 2

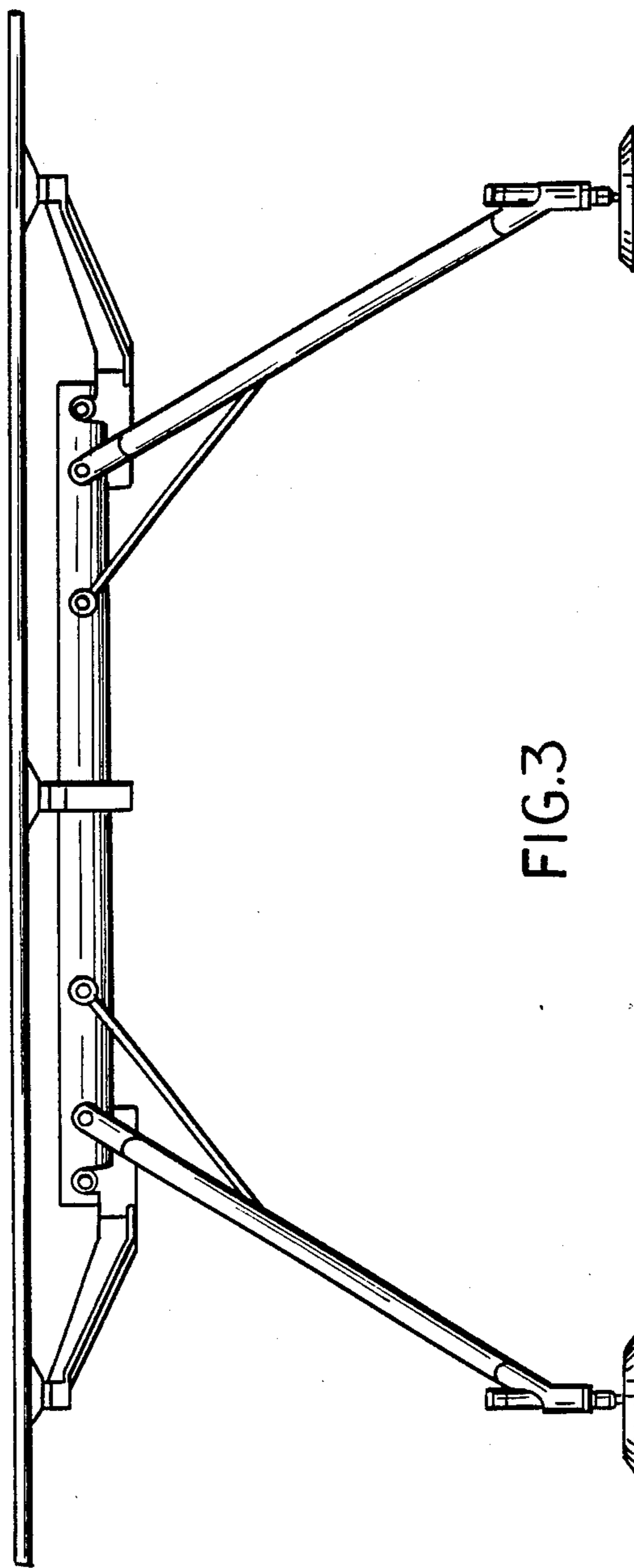


FIG.3

FIG. 4

