

[54] **TABLE**

[76] **Inventor: Raymond Grosfillex, Arbent, 01107
Oyonnax, France**

[**] **Term: 14 Years**

[21] **Appl. No.: 6,635**

[22] **Filed: Jan. 23, 1987**

[30] **Foreign Application Priority Data**

Jul. 23, 1986 [XH] Hague DM/007259

[52] **U.S. Cl. D6/486; D6/442;
108/150**

[58] **Field of Search D6/396, 442, 449, 480,
D6/482, 484, 485, 486, 488, 490, 495, 457;
108/59, 64, 150, 161, 901**

[56] **References Cited**

U.S. PATENT DOCUMENTS

D. 241,999 10/1976 Carter D6/485
3,762,789 10/1973 Robertson D6/442 X
4,548,324 10/1985 Mackey, Jr. D6/457 X

Primary Examiner—Carmen H. Vales-Lado
Assistant Examiner—Schon C. Oppert
Attorney, Agent, or Firm—Nies, Webner, Kurz &
Bergert

[57] **CLAIM**

The ornamental design for a table, as shown and described.

DESCRIPTION

FIG. 1 is a top perspective view of a table showing my new design;
FIG. 2 is a typical side elevational view thereof; and
FIG. 3 is a top plan view thereof.

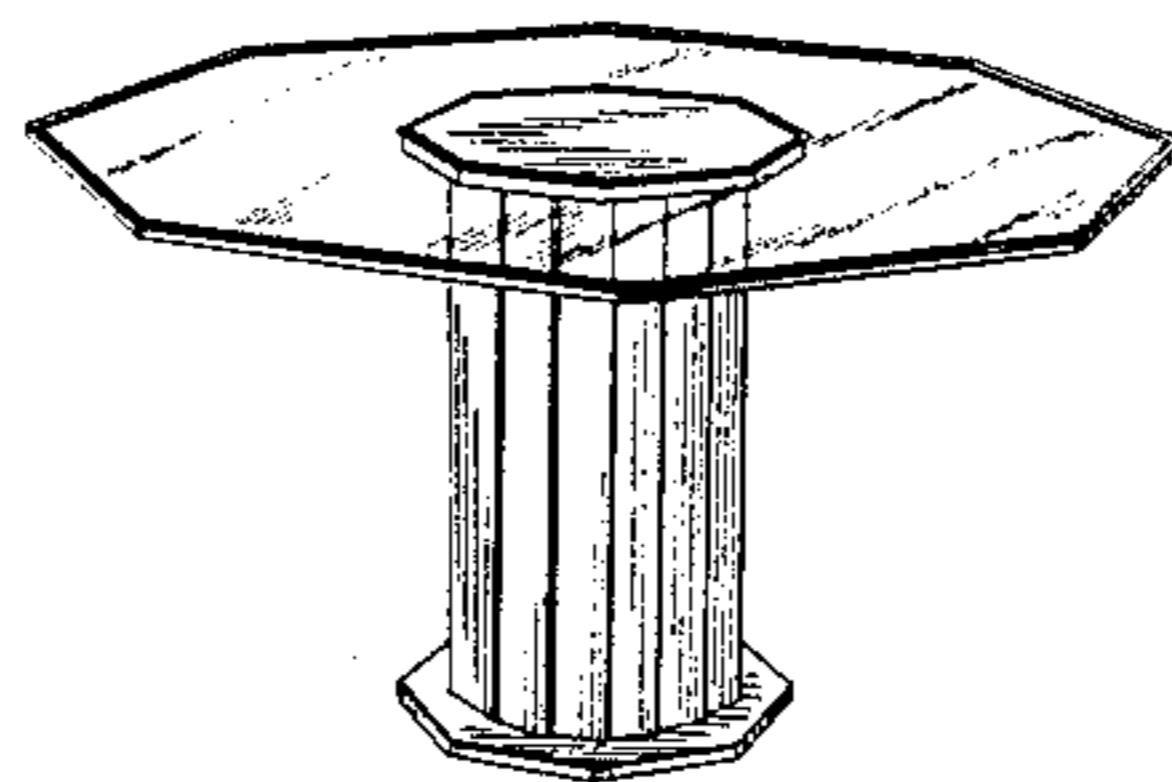


Fig. 1

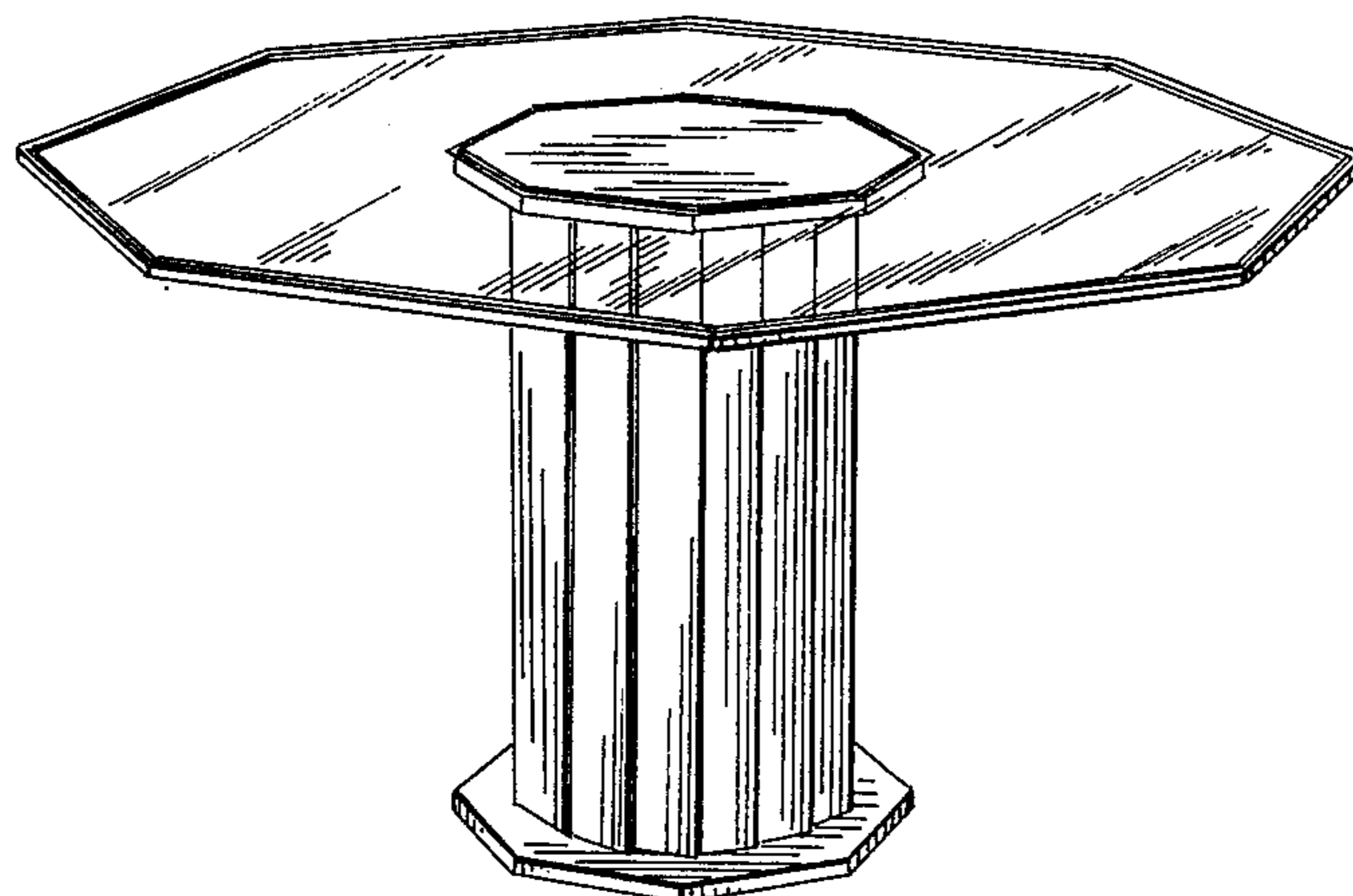


Fig. 2

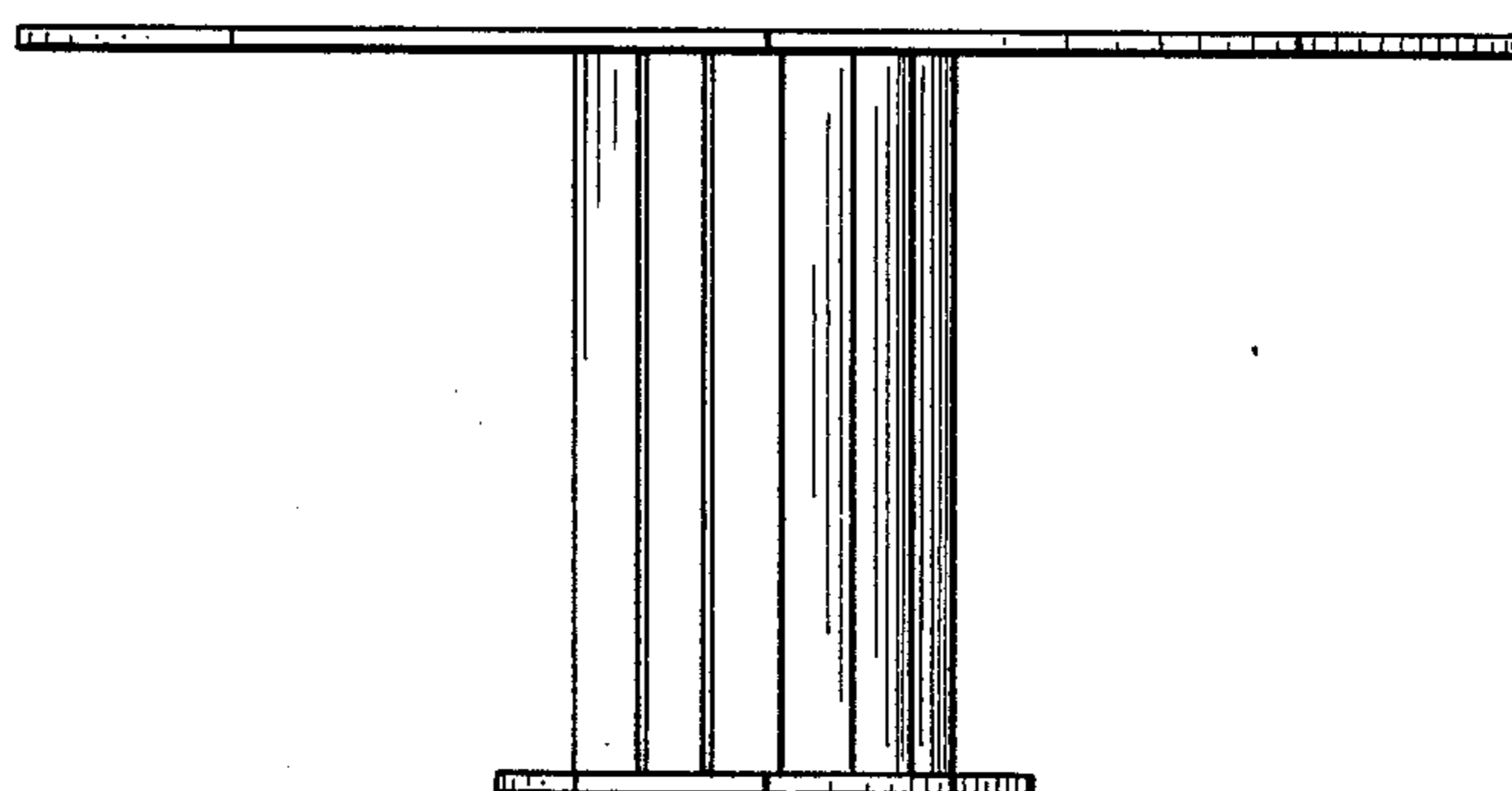


Fig. 3

