

[54] COMBINED TABLE WITH LAMP

D. 220,703 5/1971 Deguchi et al. D6/426

[75] Inventor: Paolo Borsani, Milan, Italy

[73] Assignee: Tecno S.p.A. Mobili e Forniture per Arredamento, Milan, Italy

[**] Term: 14 Years

[21] Appl. No.: 25,792

[22] Filed: Mar. 13, 1987

[30] Foreign Application Priority Data

Sep. 15, 1986 [IT] Italy 23023/86[U]
[52] U.S. Cl. D6/399; D6/426;
D6/474; 108/93

[58] Field of Search D6/396, 399, 422, 423,
D6/425, 426, 449, 473, 474, 475, 477-480;
108/25, 92, 93, 101, 161; 211/200; D26/58

[56] References Cited

U.S. PATENT DOCUMENTS

D. 107,076 11/1937 Erickson D6/474

OTHER PUBLICATIONS

Office Products Dealer, Jun. 1985, p. 57, item mid-way on left side of page.

The Architectural Forum, May, 1947, p. 124, item bottom right side of page.

Primary Examiner—Carmen H. Vales-Lado

Assistant Examiner—Schon C. Oppert

Attorney, Agent, or Firm—Herbert Dubno; Ronald Lianides

[57] CLAIM

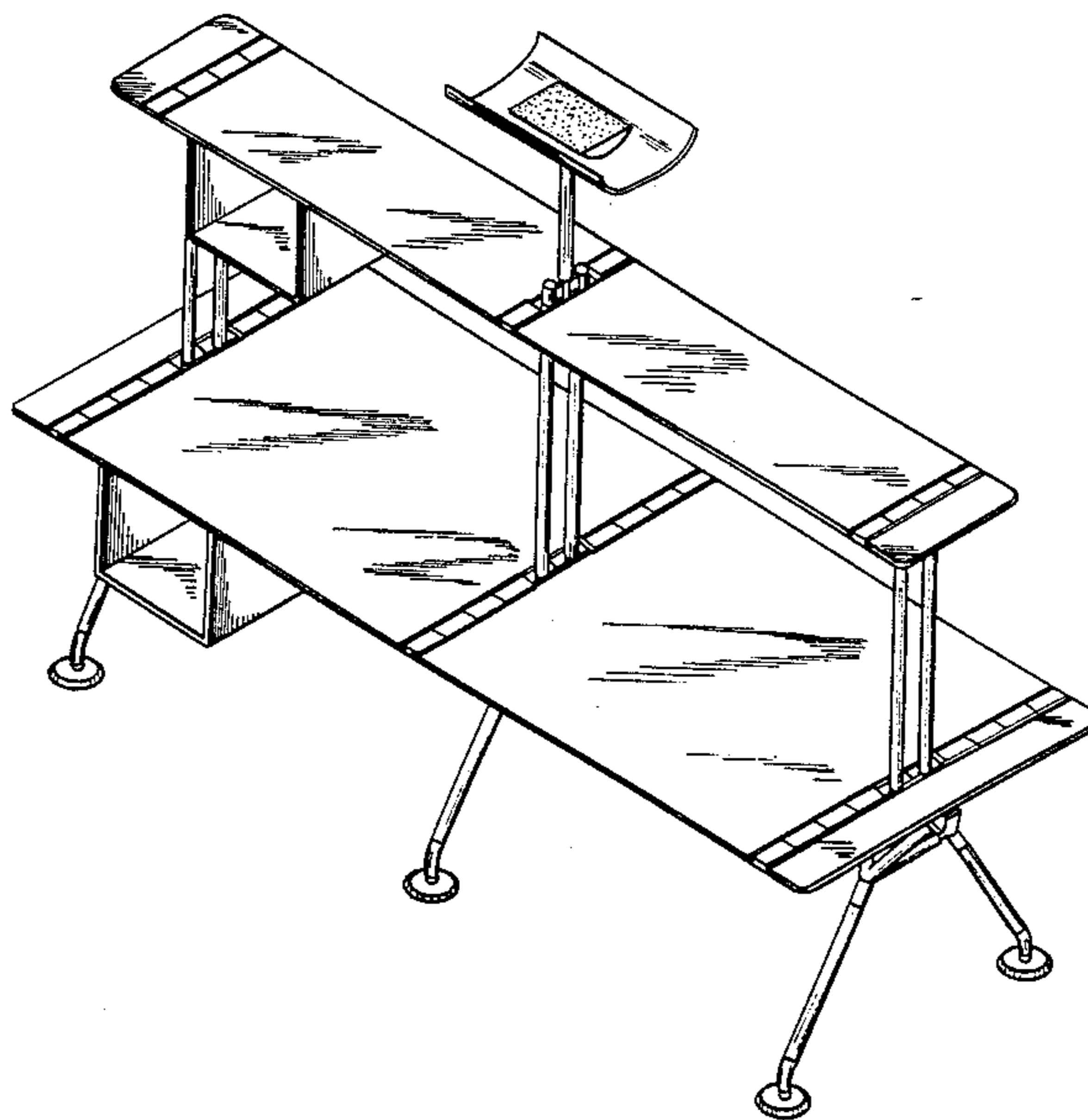
The ornamental design for a combined table with lamp, as shown and described.

DESCRIPTION

FIG. 1 is a perspective view of a combined lamp table showing my new design;

FIG. 2 is a front elevational view thereof, the rear view being a mirror image thereof; and

FIG. 3 is a left-side elevational view thereof, the right-side view being a mirror image thereof.



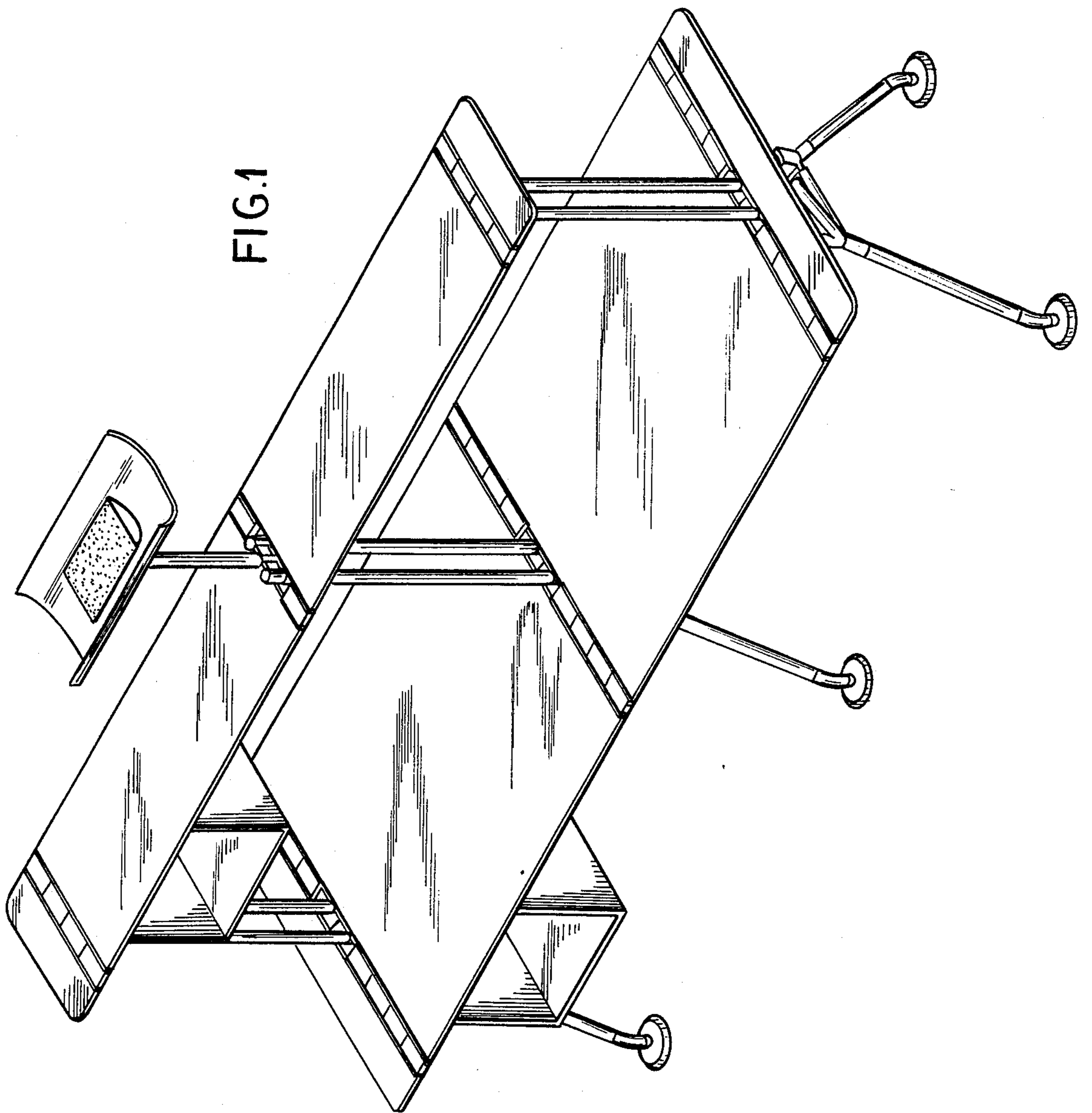
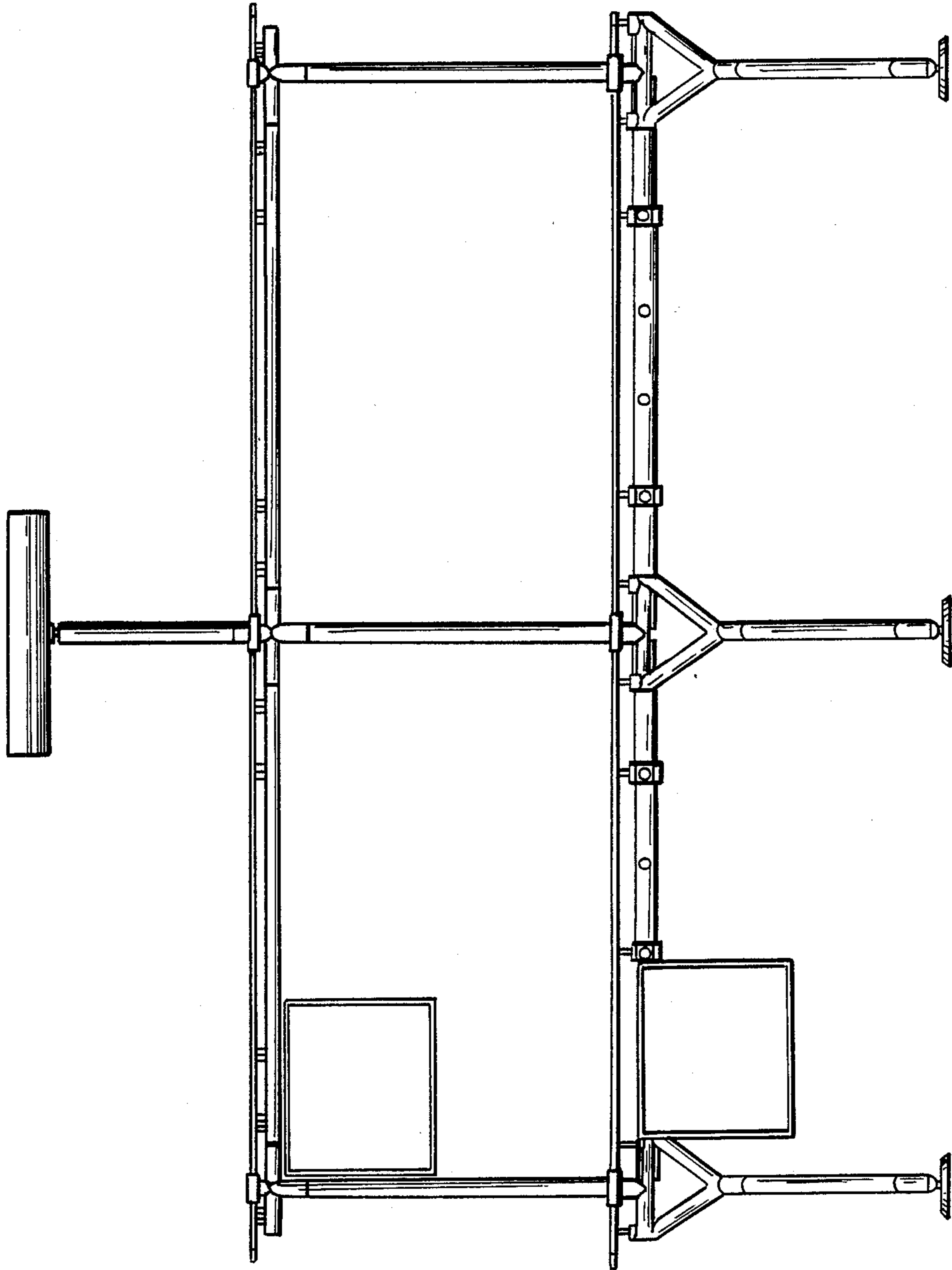


FIG. 1

FIG. 2



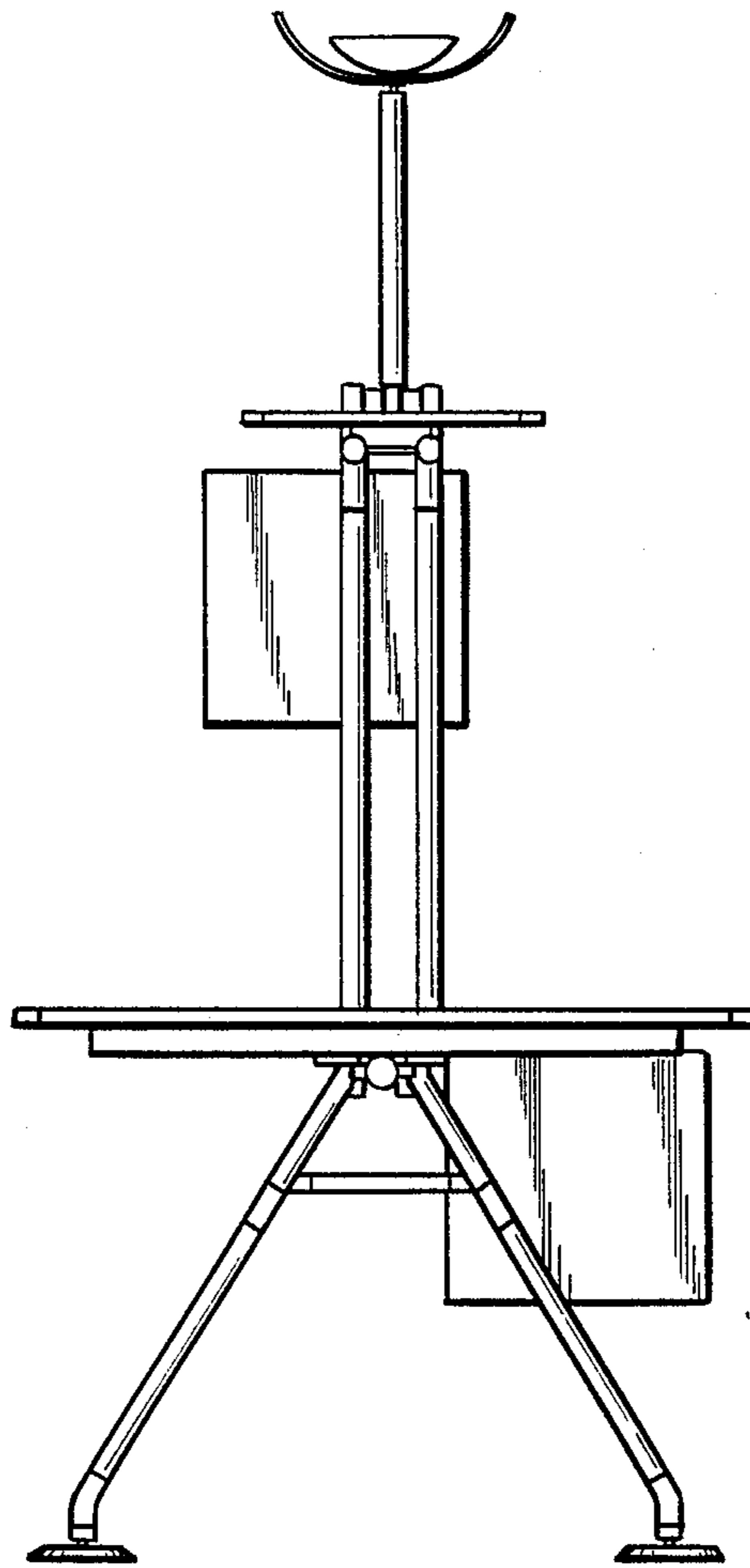


FIG.3