

[54] TRANSMISSION TABLE TOP

3,442,230 5/1969 Polen ..... 108/24

[75] Inventor: Adolph H. Wende, St. Louis, Mo.

Primary Examiner—Carmen H. Vales-Lado

Assistant Examiner—Schon C. Oppert

[73] Assignee: Shure Manufacturing Corporation, St. Louis, Mo.

Attorney, Agent, or Firm—Polster, Polster and Lucchesi

[\*\*] Term: 14 Years

[57] CLAIM

The ornamental design for a transmission table top, as shown and described.

[21] Appl. No.: 20,644

DESCRIPTION

[22] Filed: Mar. 2, 1987

[52] U.S. Cl. .... D6/398; 108/24

FIG. 1 is a top perspective view of a transmission table top showing my new design;

[58] Field of Search ..... D6/396, 398, 400, 411, D6/413, 414, 428, 448, 449, 480; D23/286, 287; 108/24, 64

FIG. 2 is a top plan view thereof;

FIG. 3 is a right end elevational view, the left end being a mirror image thereof;

FIG. 4 is a front elevational view, the rear side being a mirror image thereof; and

FIG. 5 is a bottom plan view thereof.

[56] References Cited

U.S. PATENT DOCUMENTS

- 214,271 4/1879 Zundorff ..... 108/24 X
- 2,262,767 11/1941 Jeter ..... 108/24 X
- 2,972,506 2/1961 Haag ..... 108/64

The broken line showing of a table frame is for illustrative purposes only and forms no part of the claimed design.

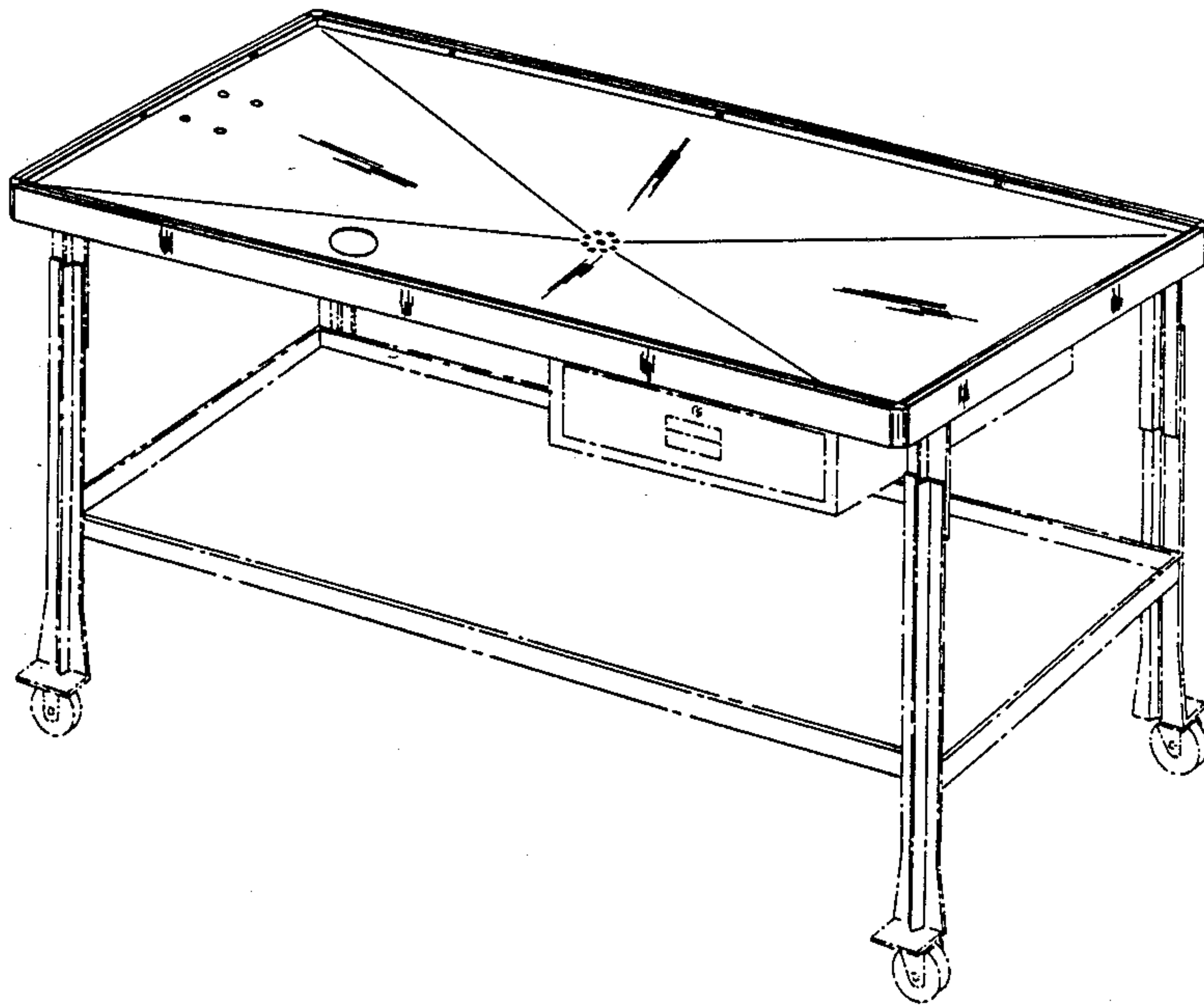


FIG. 1

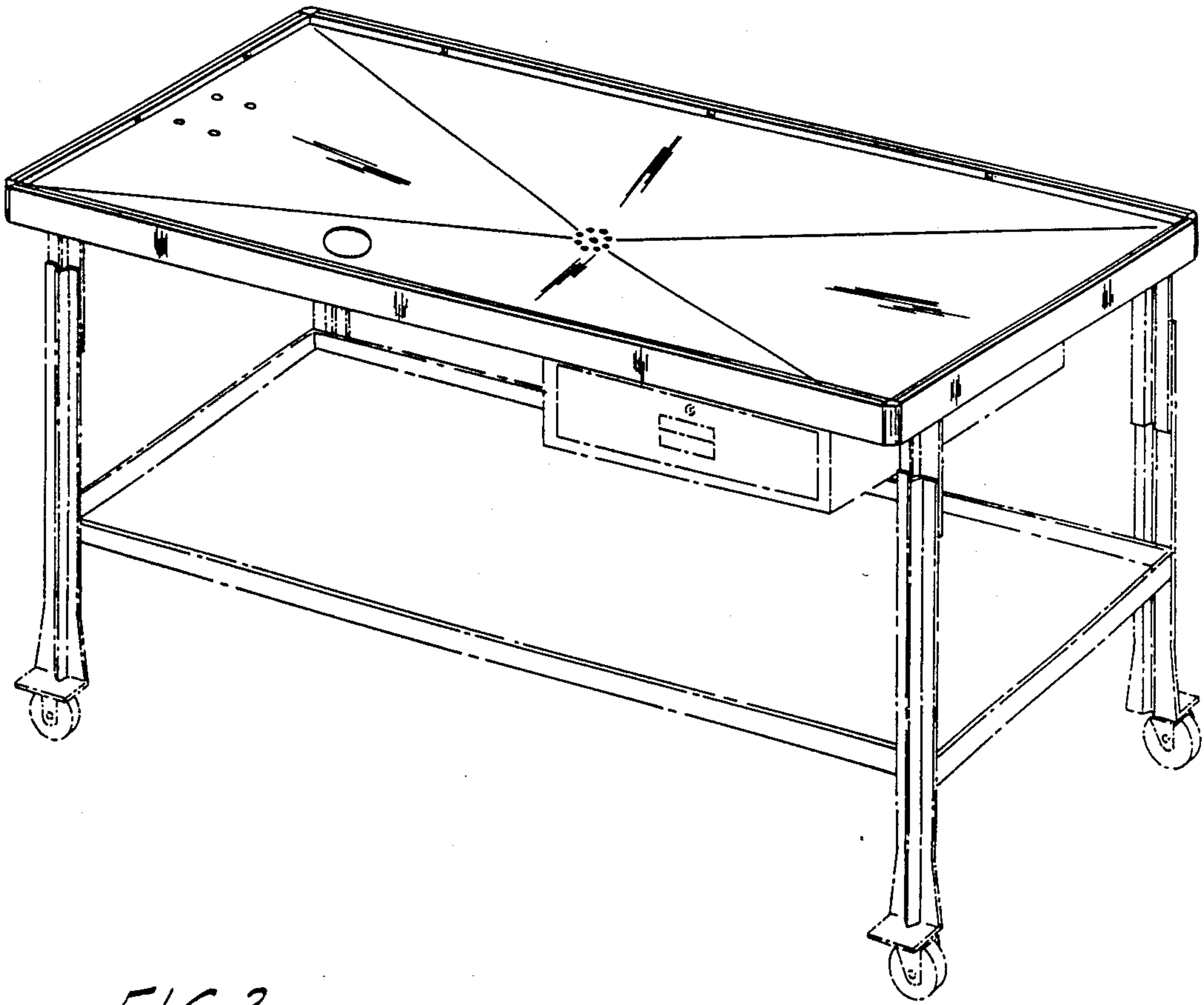


FIG. 2

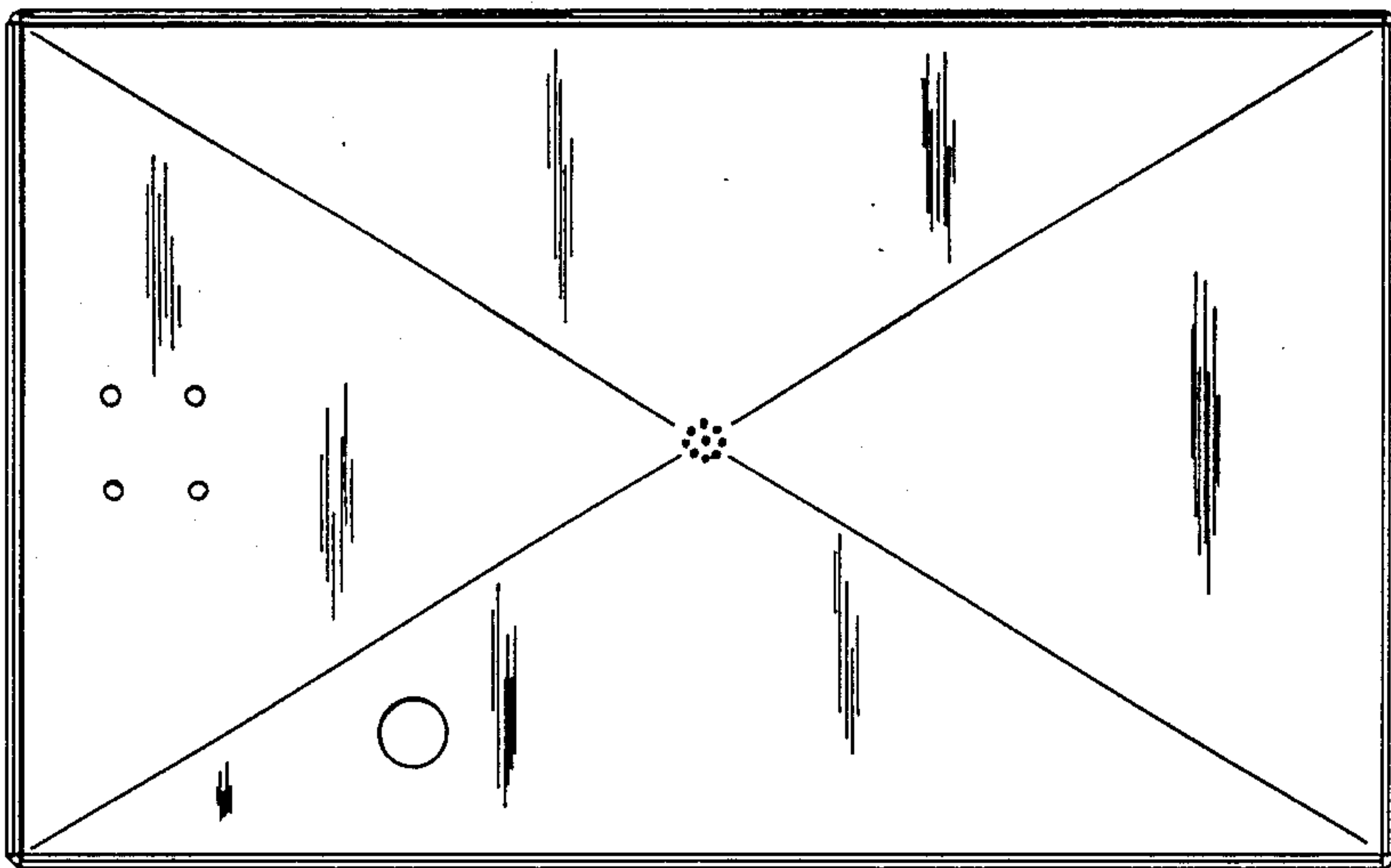


FIG. 3



FIG. 4



FIG. 5

