

[54] CHILD'S SAFETY SEAT FOR AN AUTOMOBILE

FOREIGN PATENT DOCUMENTS

2146895A 5/1985 United Kingdom 297/275

[75] Inventor: Kenzou Kassai, Osaka, Japan

OTHER PUBLICATIONS

[73] Assignee: Aprica Kassai Kabushikikaisha, Osaka, Japan

Infanseat Catalog, 1970, p. 4, Baby Seat Model #500.
Cosco Catalog, Lil Lounger.

[**] Term: 14 Years

Primary Examiner—Nelson C. Holtje
Assistant Examiner—Ann S. Hunt
Attorney, Agent, or Firm—W. G. Fasse; D. H. Kane, Jr.

[21] Appl. No.: 932,896

[57] CLAIM

[22] Filed: Nov. 18, 1986

The ornamental design for a child's safety seat for an automobile, as shown and described.

[30] Foreign Application Priority Data

DESCRIPTION

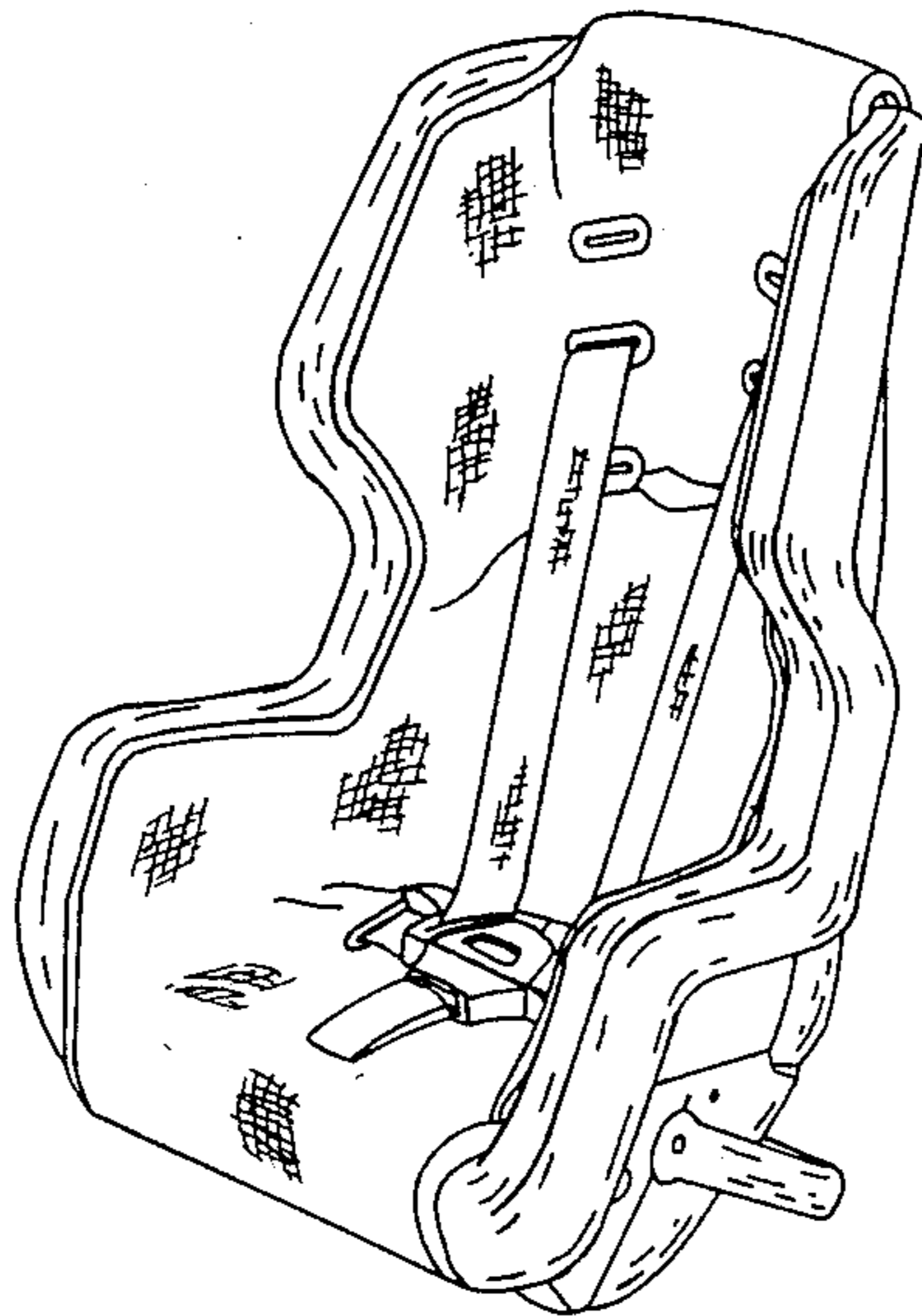
May 20, 1986 [JP] Japan 61-19282
[52] U.S. Cl. D6/333
[58] Field of Search D6/333, 335; 297/250,
297/254, 464

FIG. 1 is a front elevational view showing my new design of a child's safety seat for an automobile;
FIG. 2 is a rear elevational view thereof;
FIG. 3 is a top plan view thereof;
FIG. 4 is a bottom plan view thereof;
FIG. 5 is a left side elevational view thereof;
FIG. 6 is a right side elevational view thereof;
FIG. 7 is a front perspective view thereof; and
FIG. 8 is a front perspective view thereof showing the child's safety seat in a reclined position.

[56] References Cited

U.S. PATENT DOCUMENTS

D. 294,889 3/1988 Nakao et al. D6/333



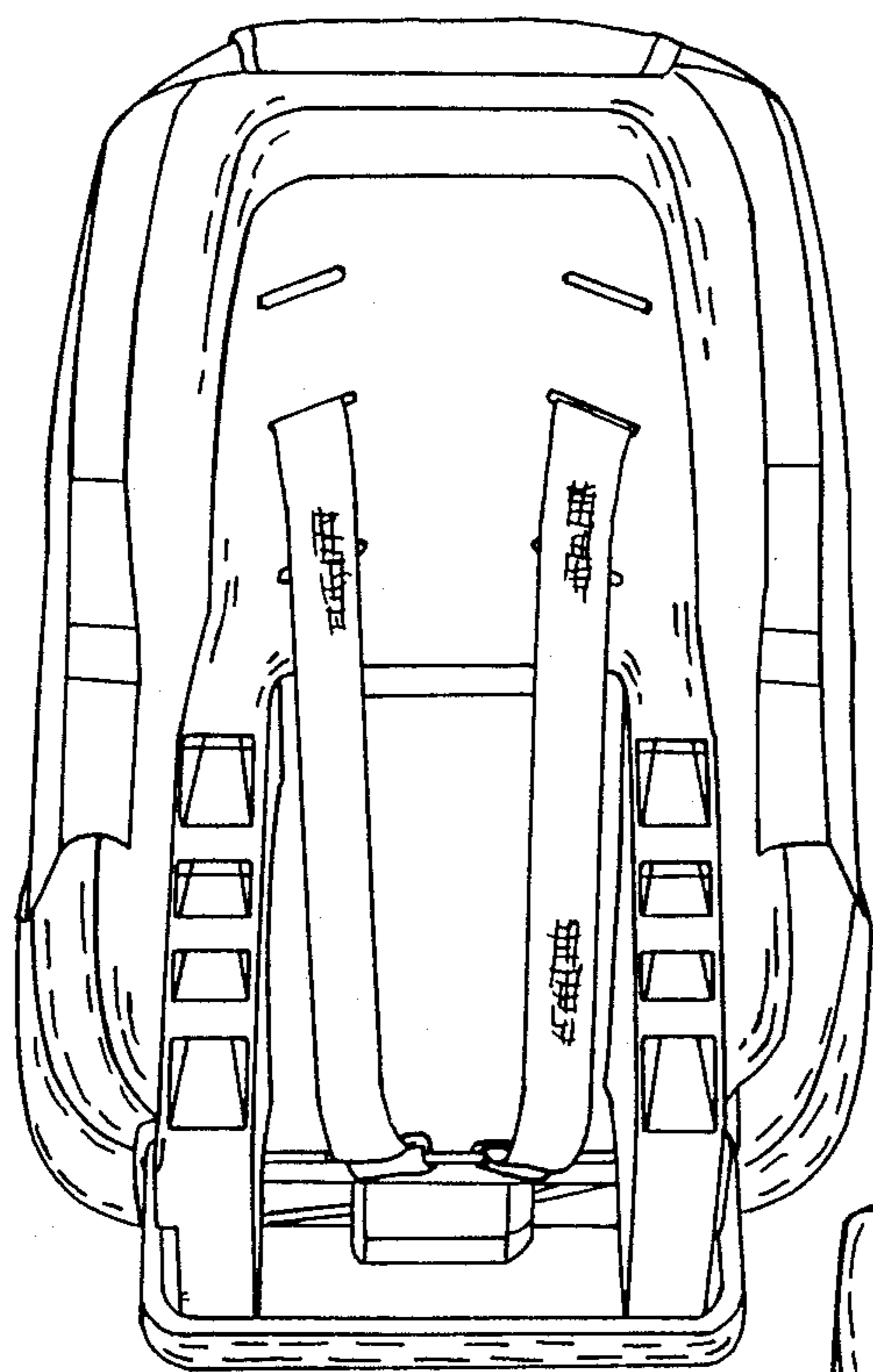


FIG. 2

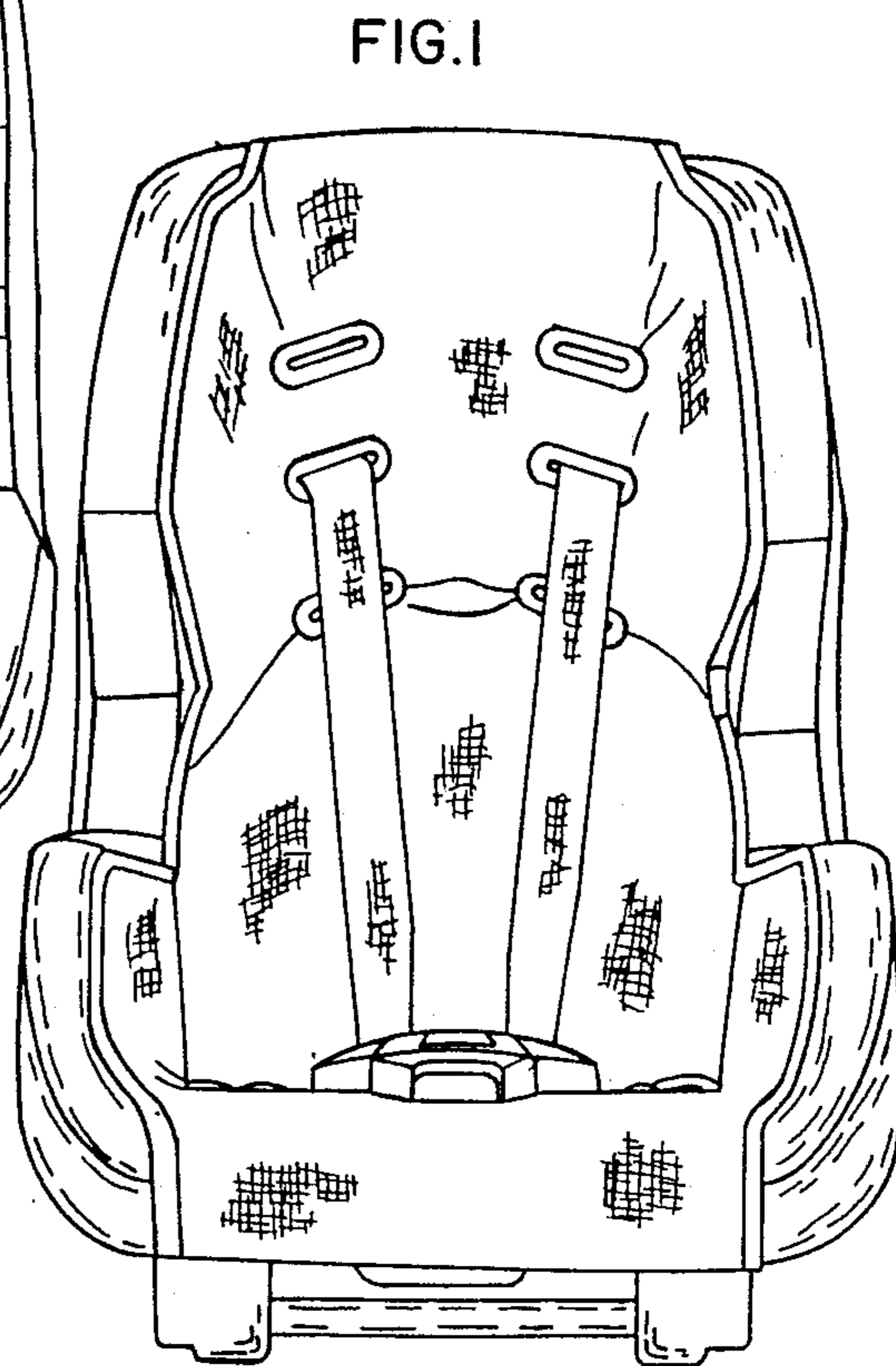


FIG. 1

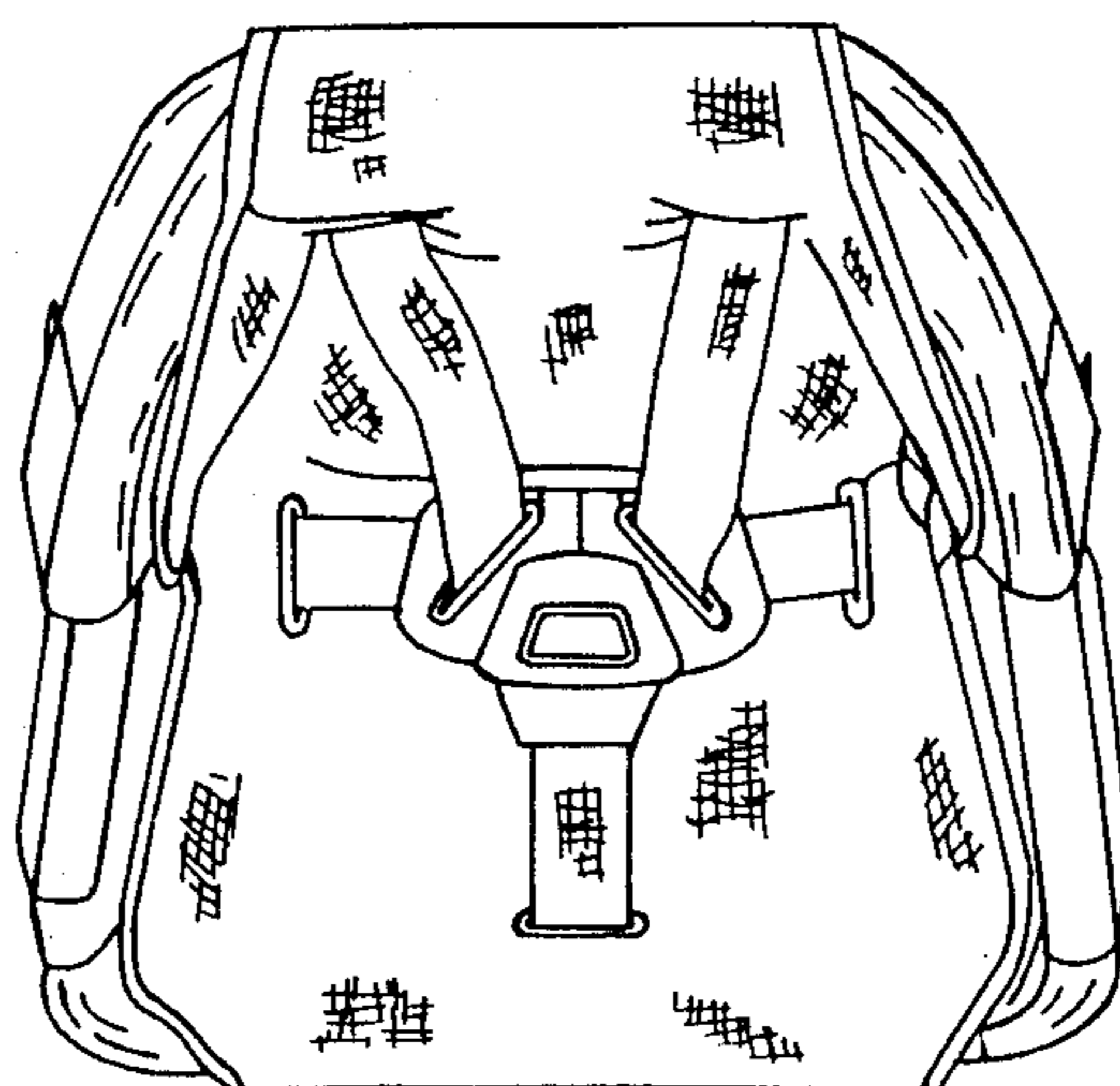


FIG. 3

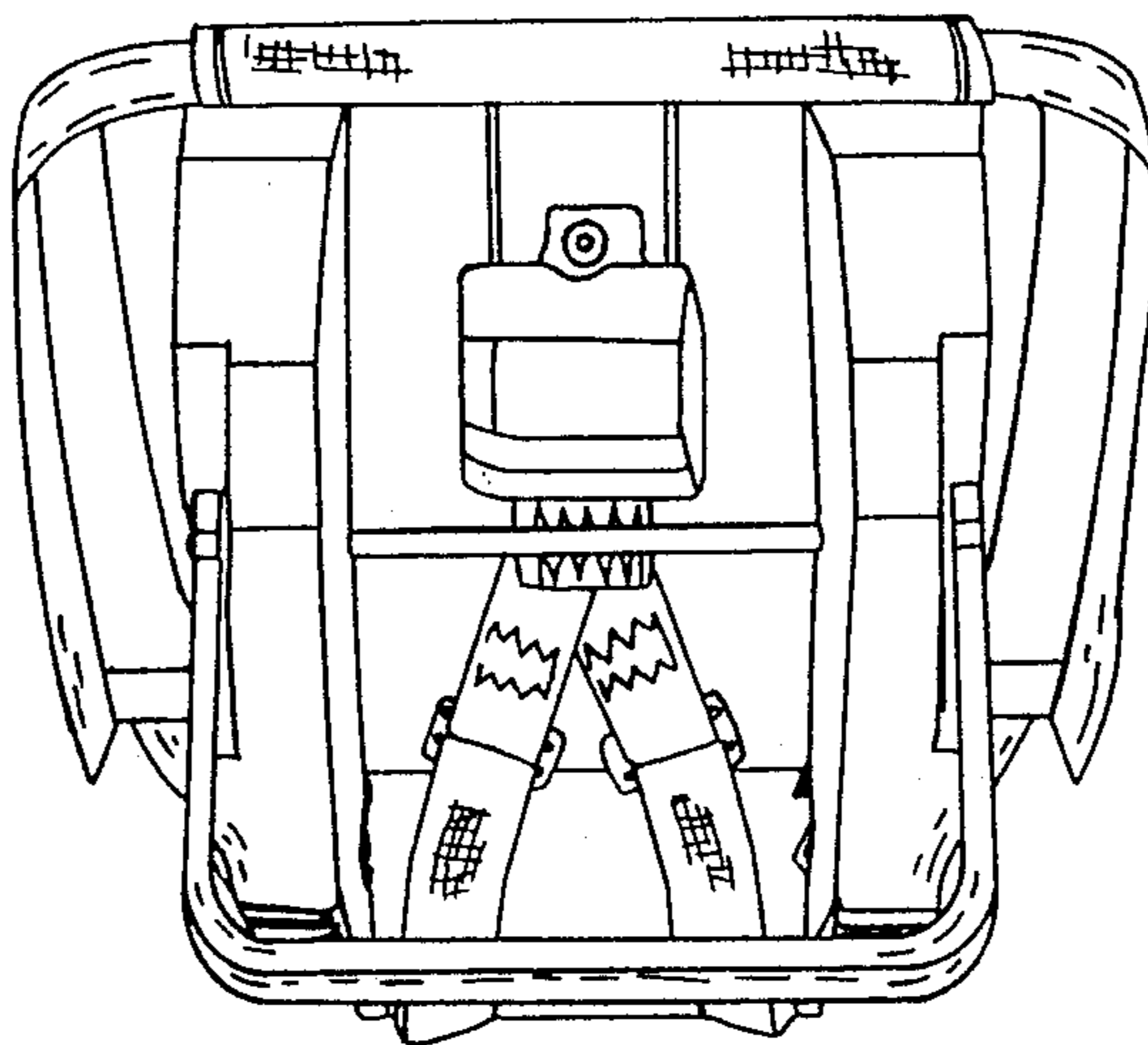


FIG. 4

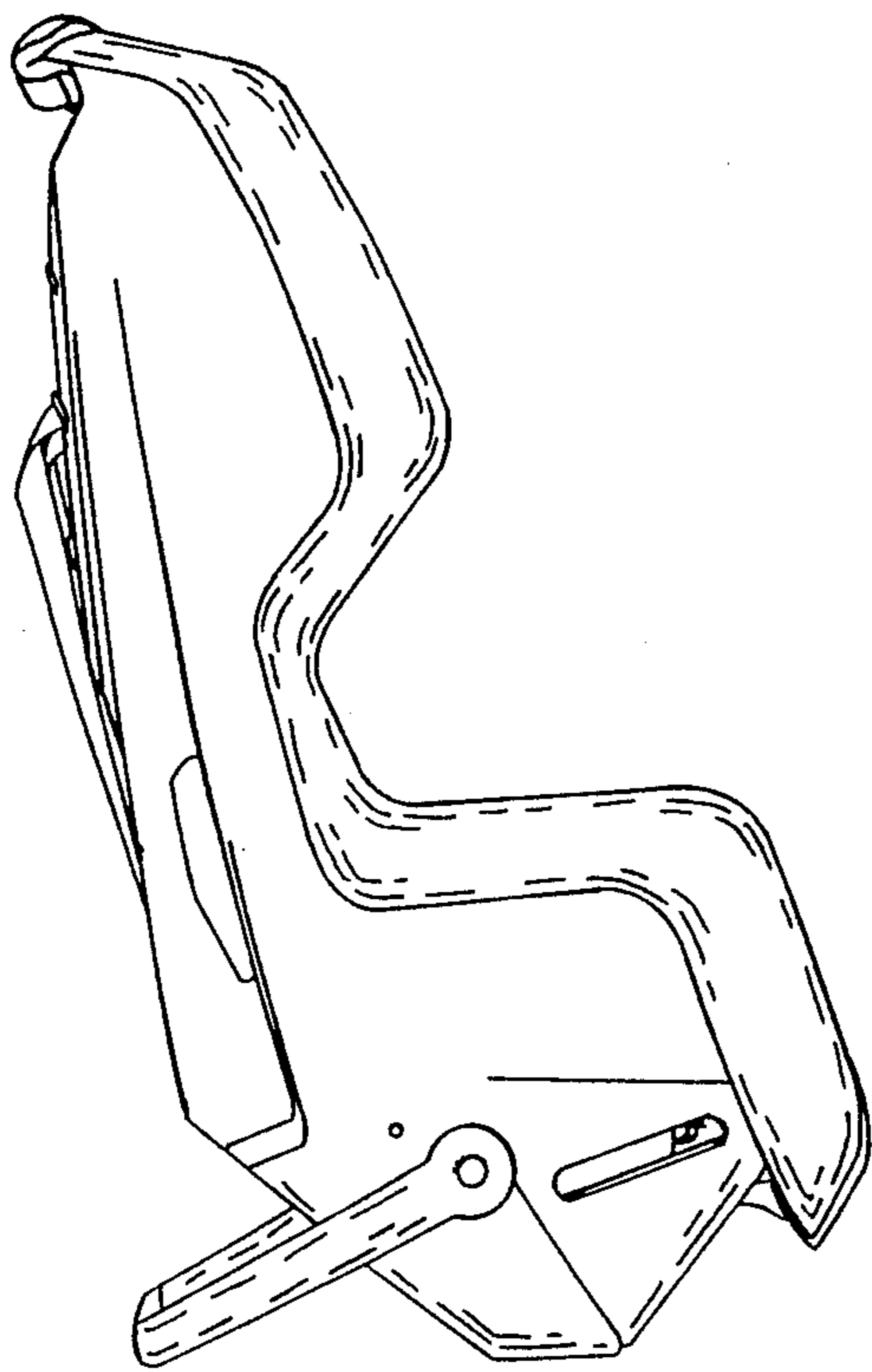


FIG. 5

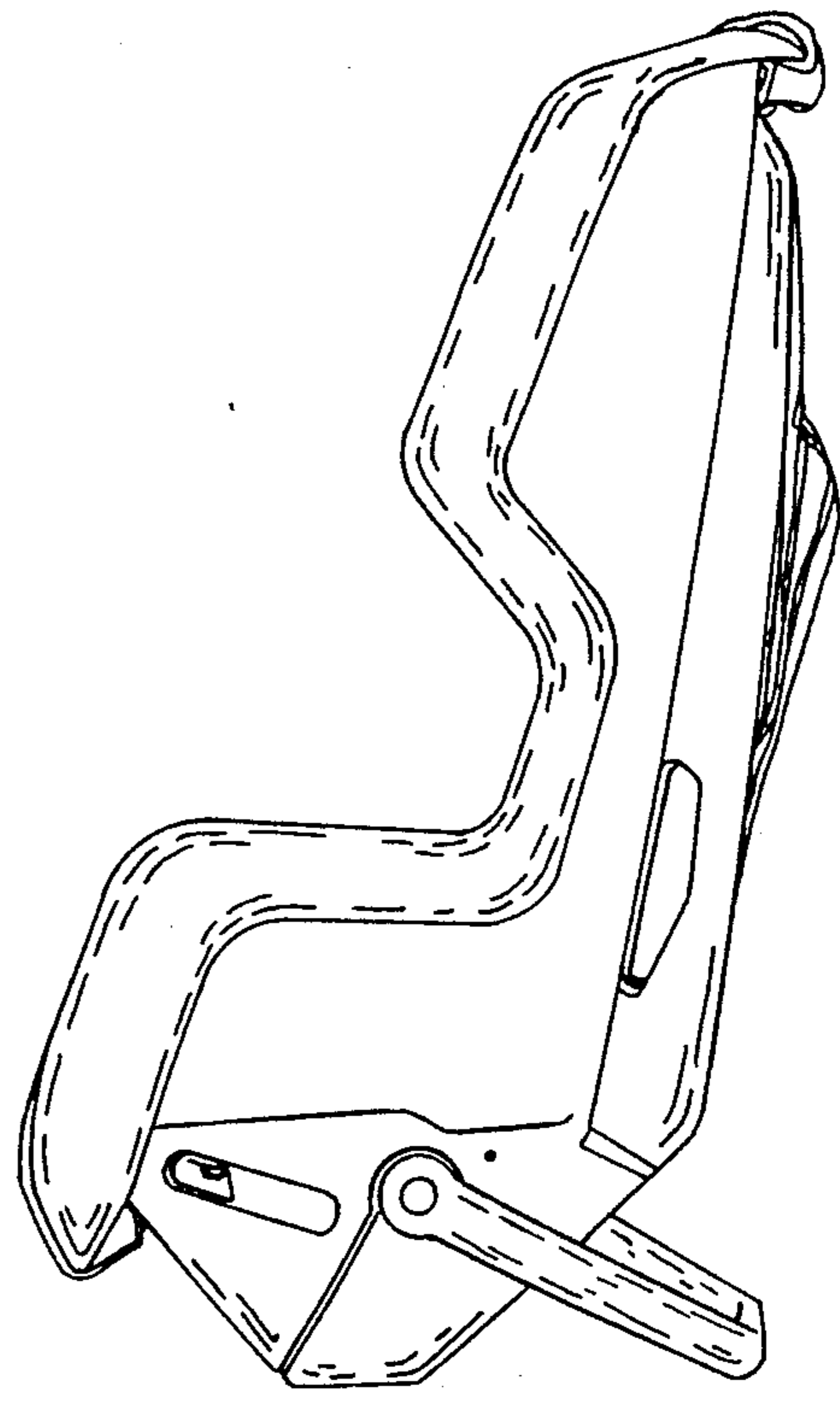


FIG. 6

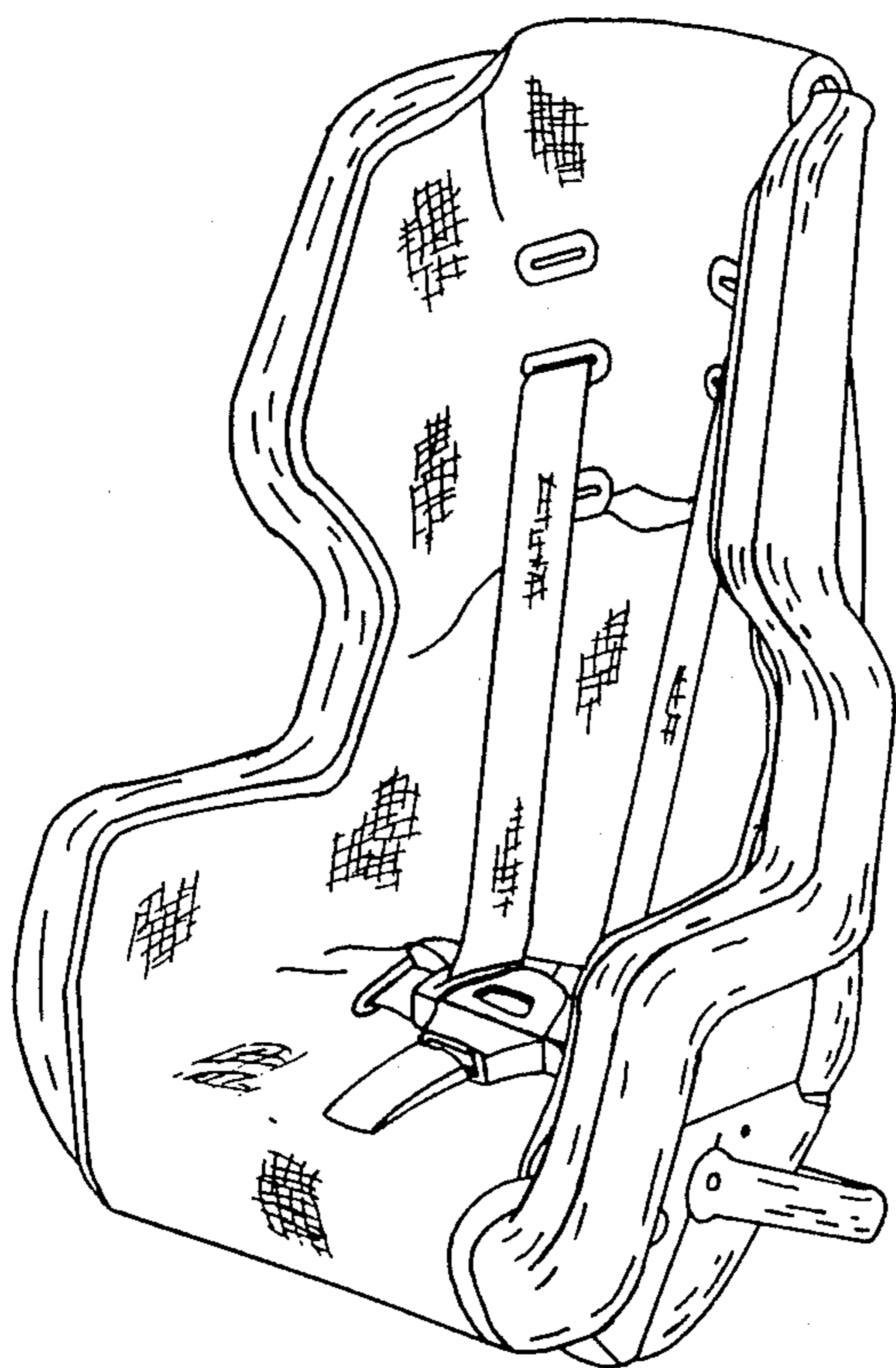


FIG. 7

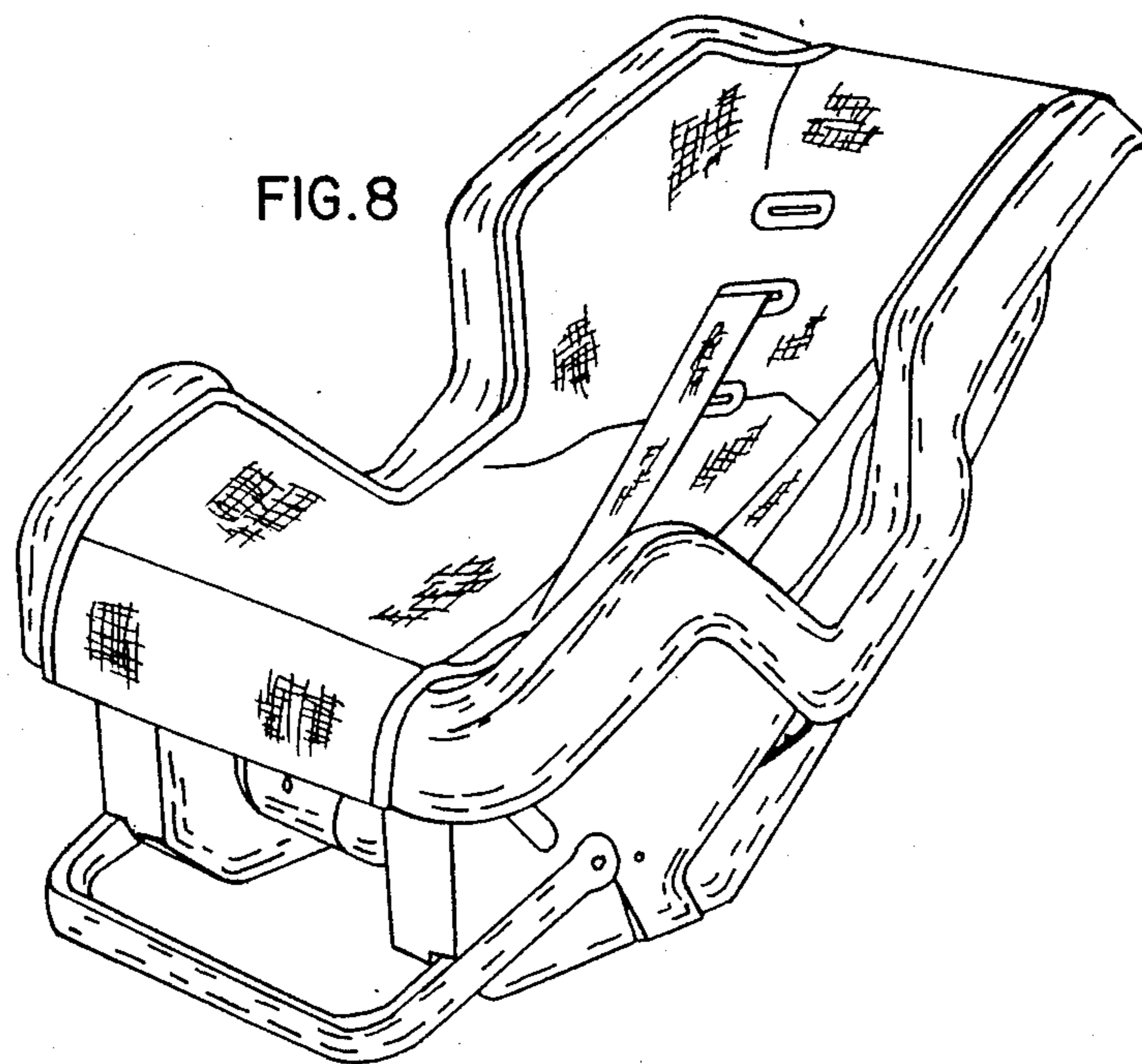


FIG. 8