

[54] SPACE-DIVIDER PANEL FOR USE PRIMARILY IN AN OFFICE

[75] Inventors: Jane L. Jones, Park Township, Ottawa County; Douglas J. Maat, Holland, both of Mich.

[73] Assignee: Haworth, Inc., Holland, Mich.

[**] Term: 14 Years

[21] Appl. No.: 916,445

[22] Filed: Oct. 7, 1986

[52] U.S. Cl. D6/332

[58] Field of Search D6/329; D25/52, 58

[56] References Cited

U.S. PATENT DOCUMENTS

D. 143,429 1/1946 Keichum, Jr. D25/52

OTHER PUBLICATIONS

Standard Design Book, Aug. 8, 1924, p. 54, window No. 78.

Domus, #660, Apr. 1985, p. 11, window center.

Domus, #661, May 1985, p. 30, window bottom center.

Schoner Wohnen, Dec. 17, 1985, p. 154, bureau right center.

"Unigroup by Haworth", 1982.

Primary Examiner—Bruce W. Dunkins

Assistant Examiner—Ann S. Hunt

Attorney, Agent, or Firm—Flynn, Thiel, Boutell & Tanis

[57] CLAIM

The ornamental design of an space-divider panel for use primarily in an office, as shown and described.

DESCRIPTION

FIG. 1 is a front perspective view of the space divider panel for use primarily in an office showing our new design, the dotted lines depicting additional wall surface are used for illustrative purposes only,

FIG. 2 is a front elevational view,

FIG. 3 is a right side elevational view, the left side view being a mirror image thereof,

FIG. 4 is a top plan view,

FIG. 5 is a bottom plan view,

FIG. 6 is an enlarged fragmentary sectional view taken along line 6—6 in FIG. 2,

FIG. 7 is a front elevational view of a second embodiment,

FIG. 8 is a front elevational view of a third embodiment,

FIG. 9 is a front elevational view of a fourth embodiment,

FIG. 10 is an enlarged fragmentary sectional view taken along line 10—10 in FIG. 9,

FIG. 11 is a front elevational view of a fifth embodiment,

FIG. 12 is a front elevational view of a sixth embodiment,

FIG. 13 is a front elevational view of seventh embodiment,

FIG. 14 is a front elevational view of an eighth embodiment,

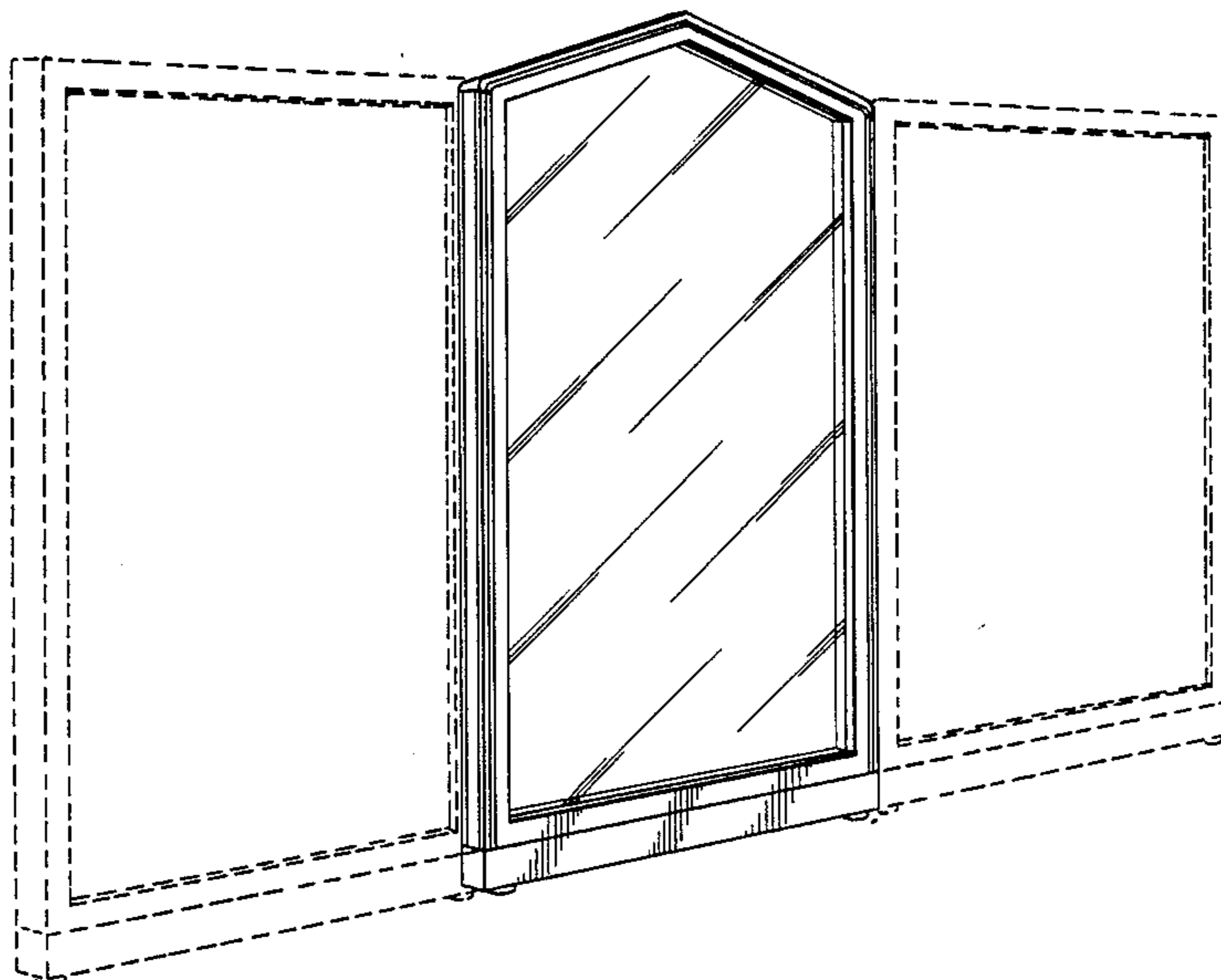
FIG. 15 is a front elevational view of a ninth embodiment,

FIG. 16 is a right side elevational view thereof, the left side view being a mirror image thereof,

FIG. 17 is a top plan view,

FIG. 18 is a bottom plan view thereof; and

FIG. 19 is a front elevational view of a tenth embodiment thereof.



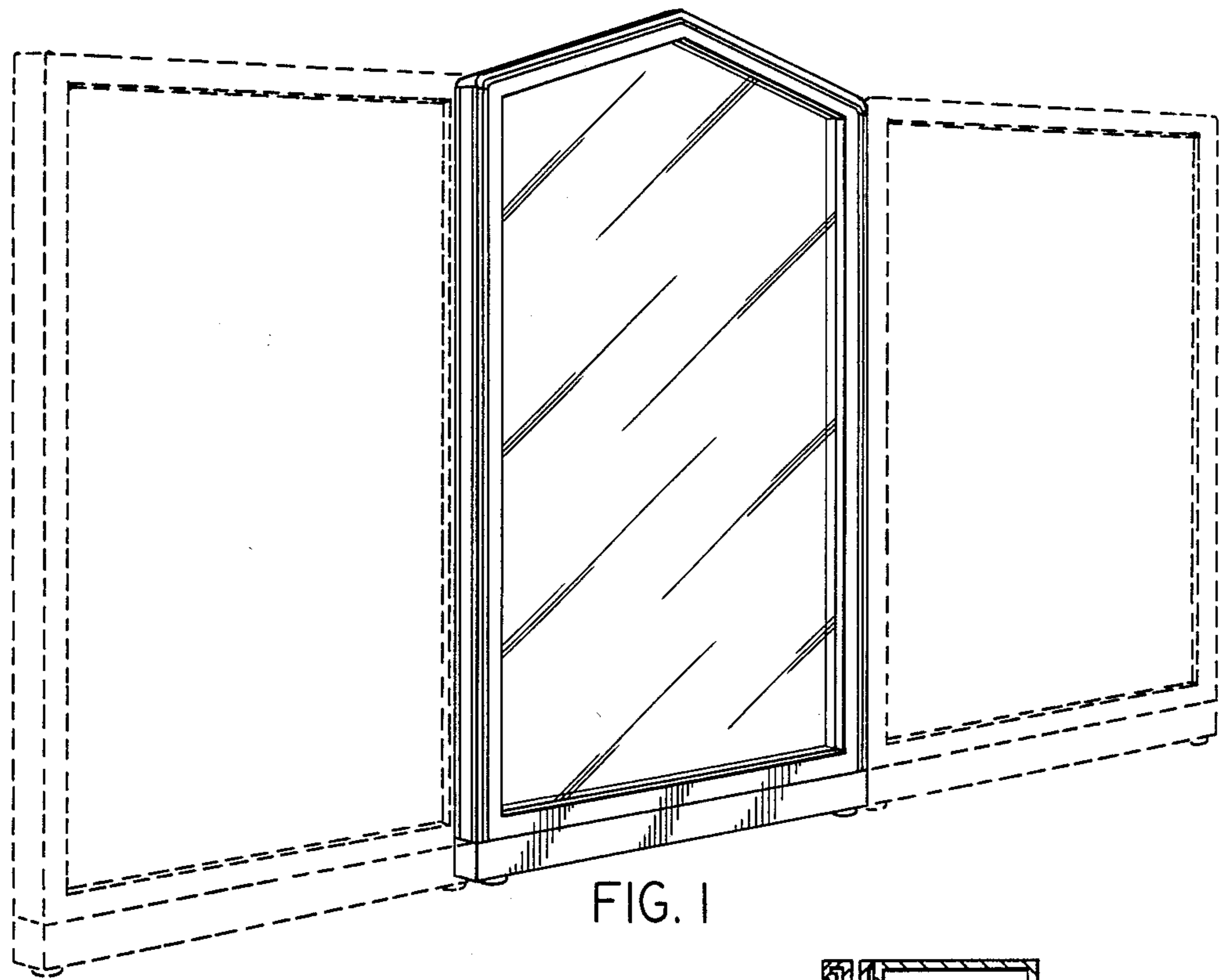


FIG. 1



FIG. 4

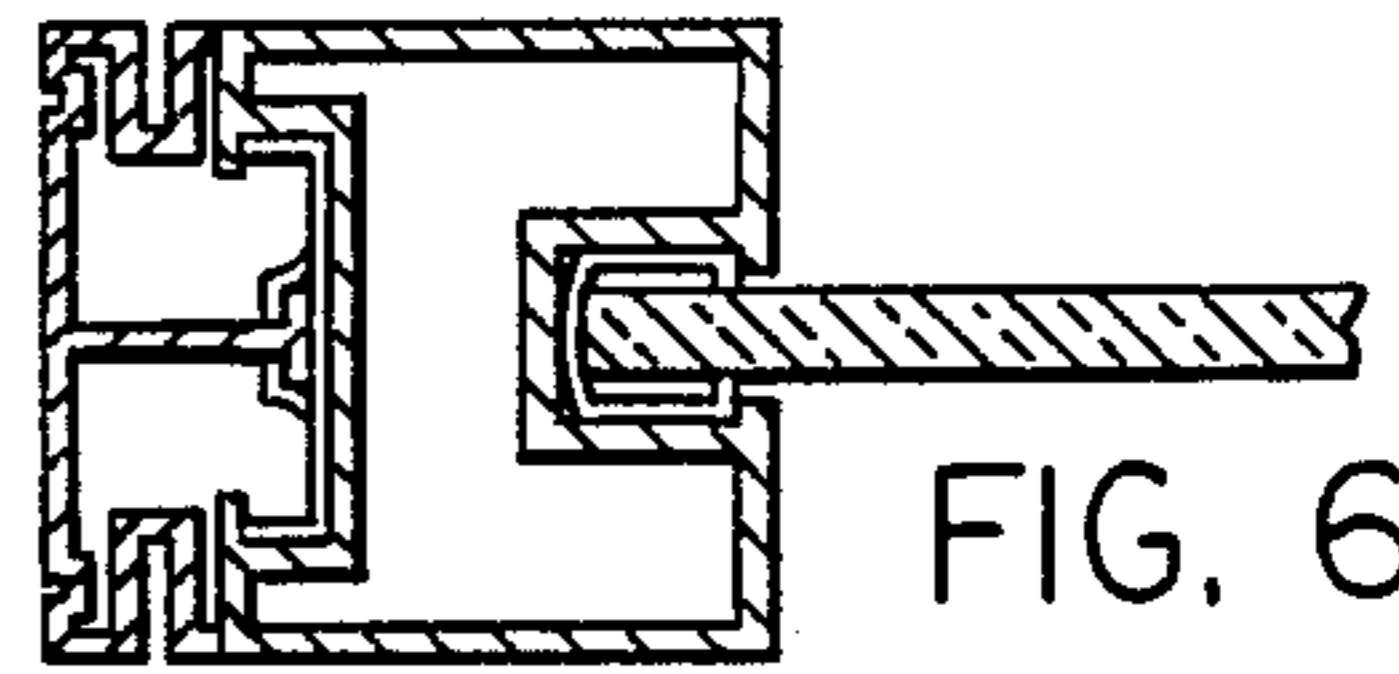


FIG. 6

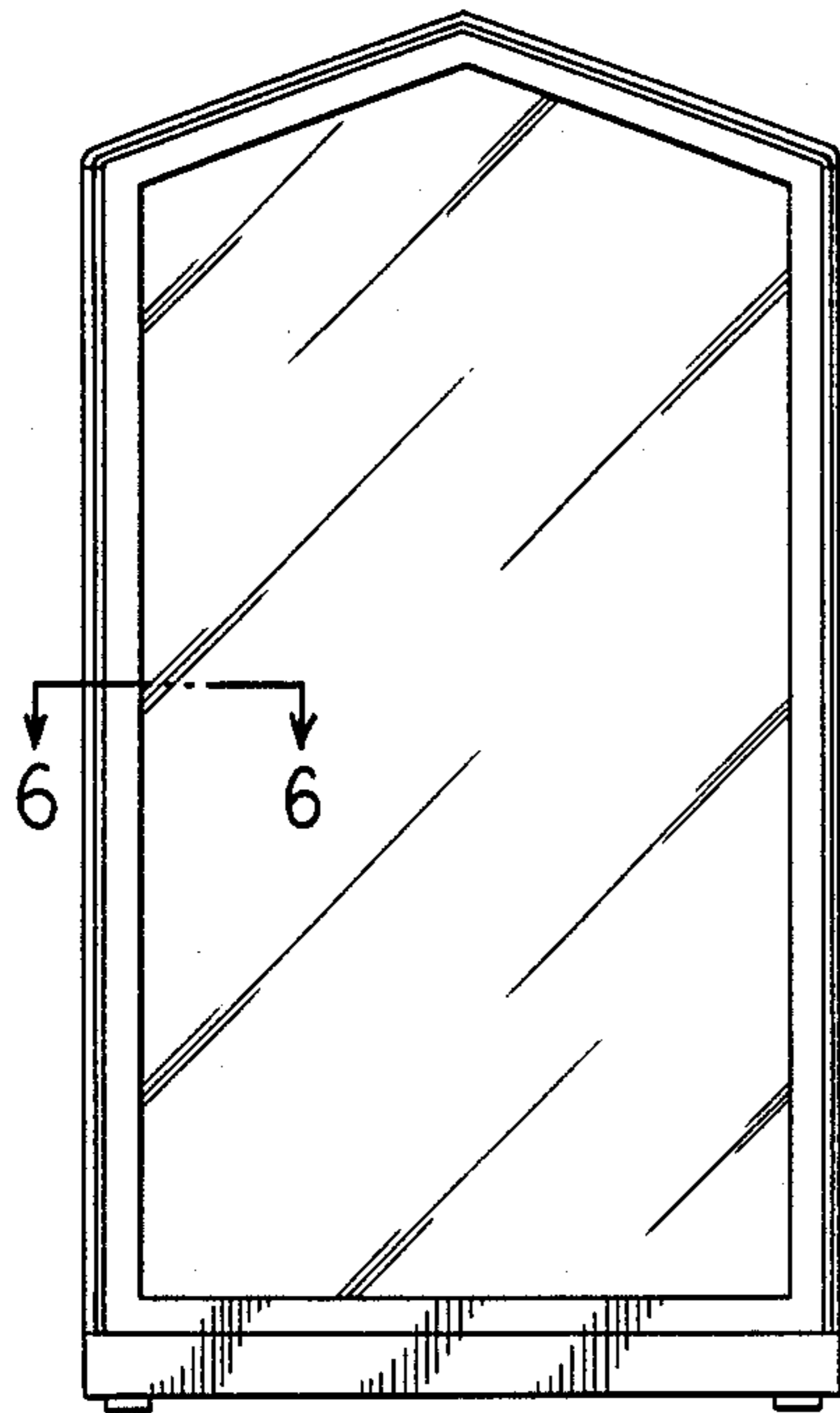


FIG. 2



FIG. 3

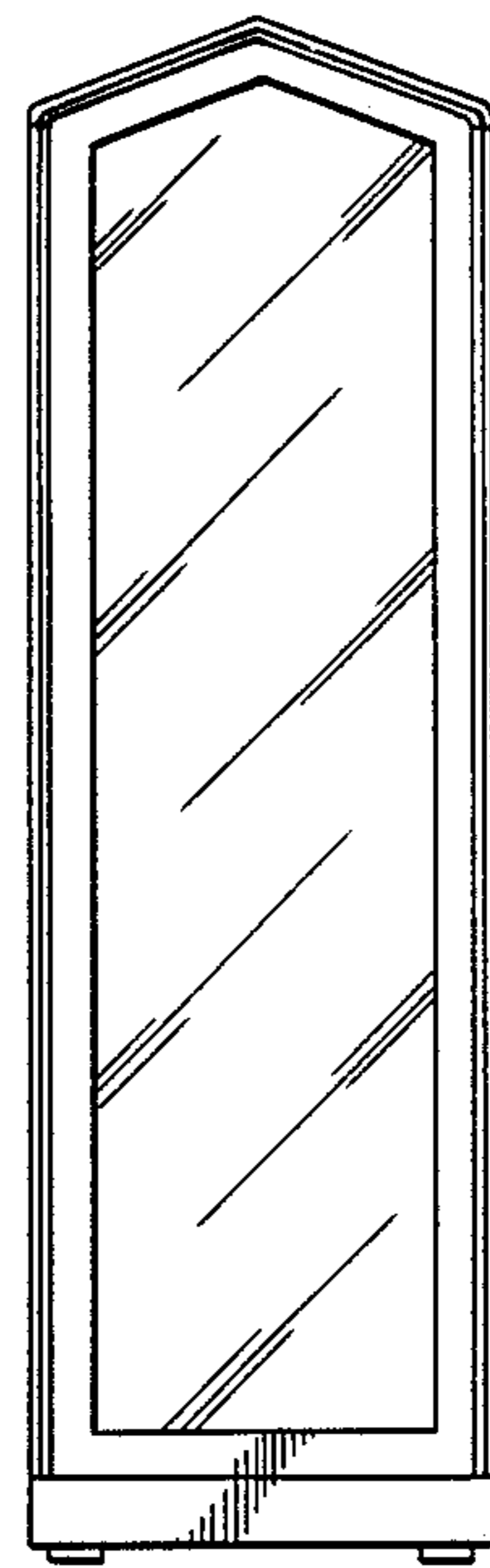


FIG. 7



FIG. 5

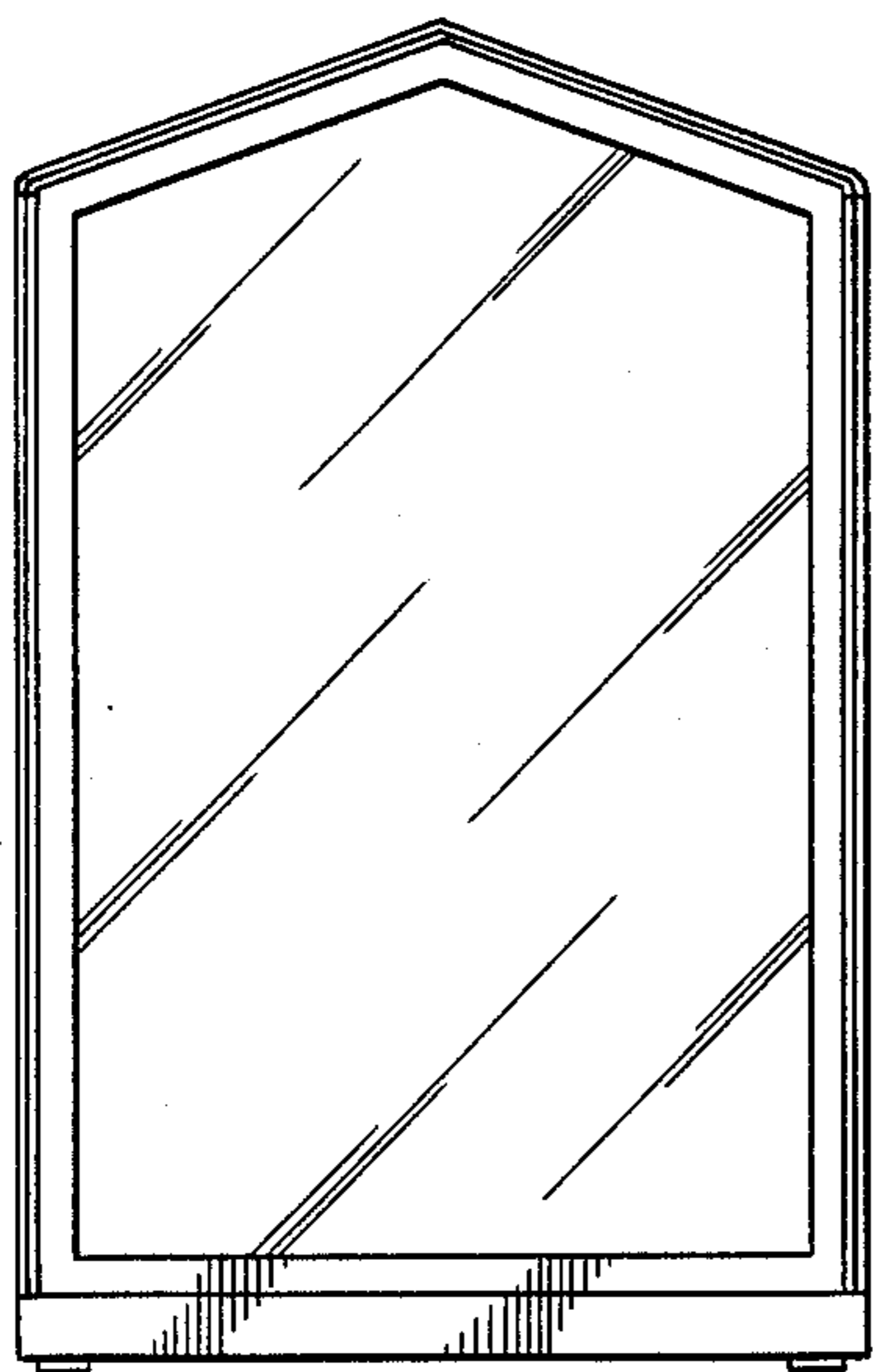


FIG. 8

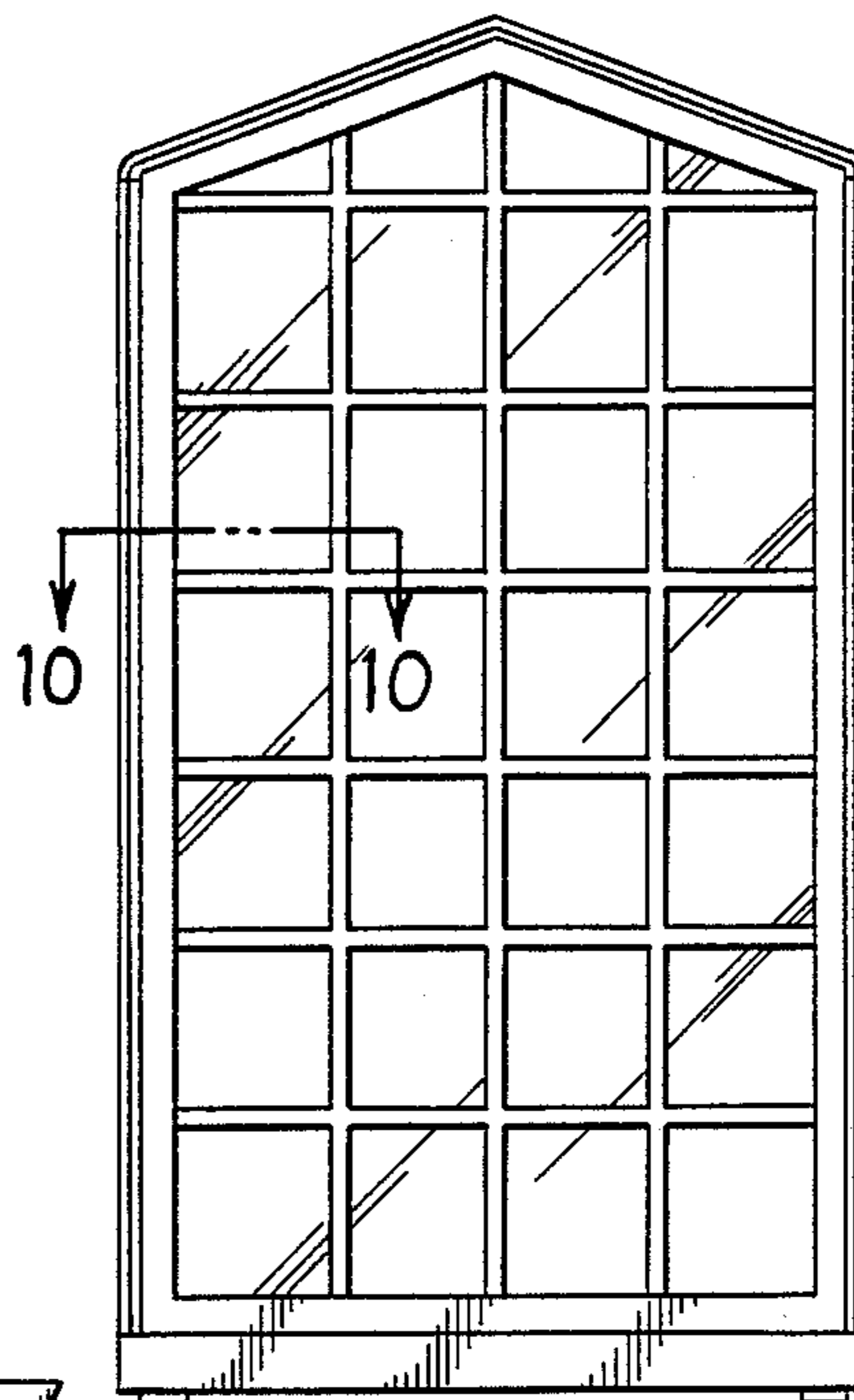


FIG. 9

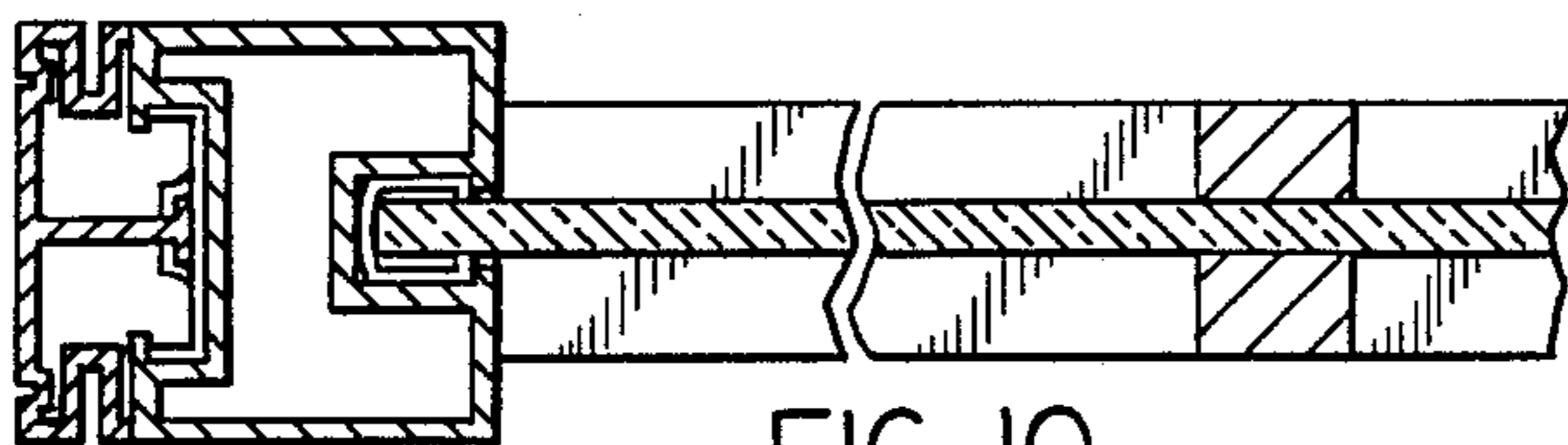


FIG. 10

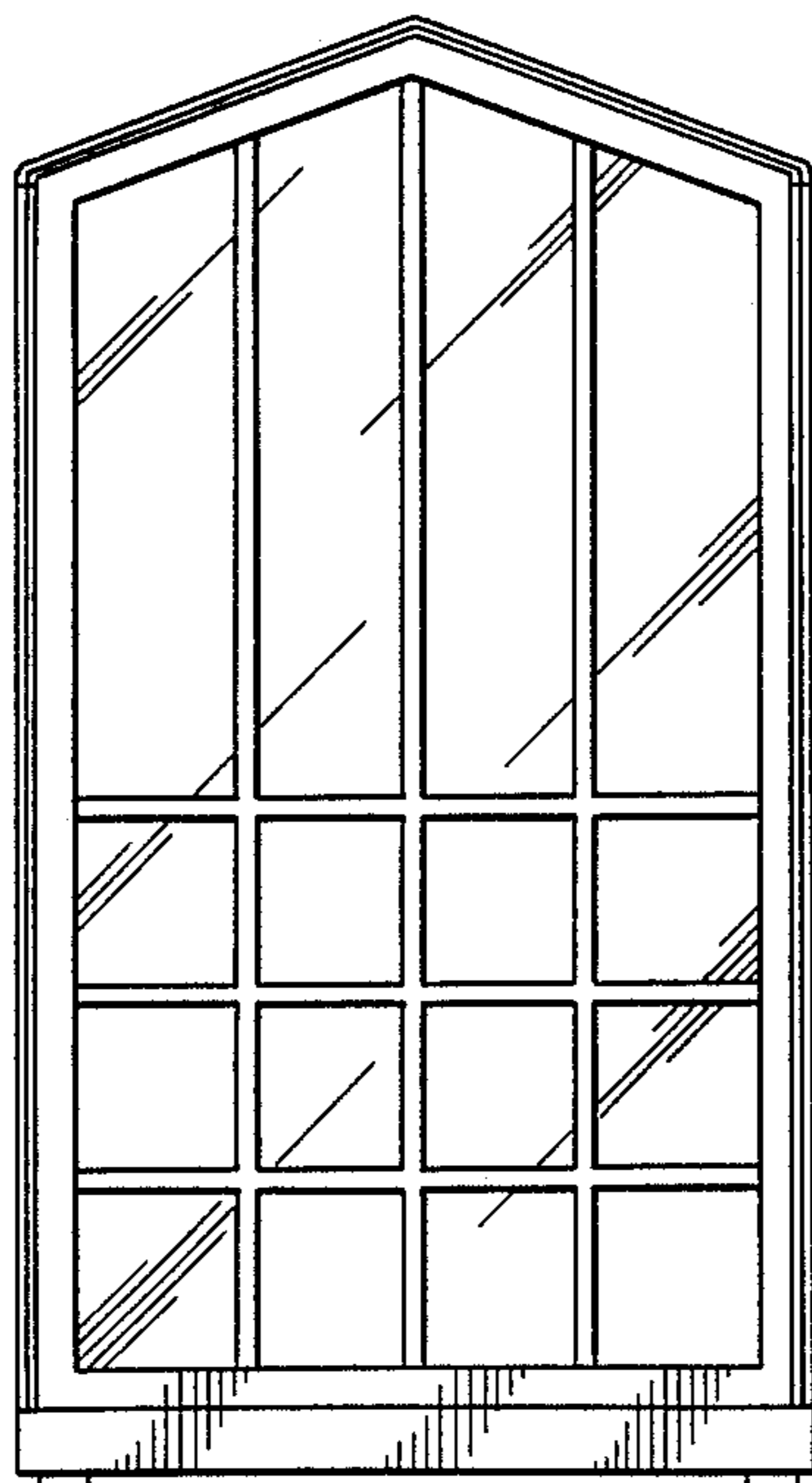


FIG. 11

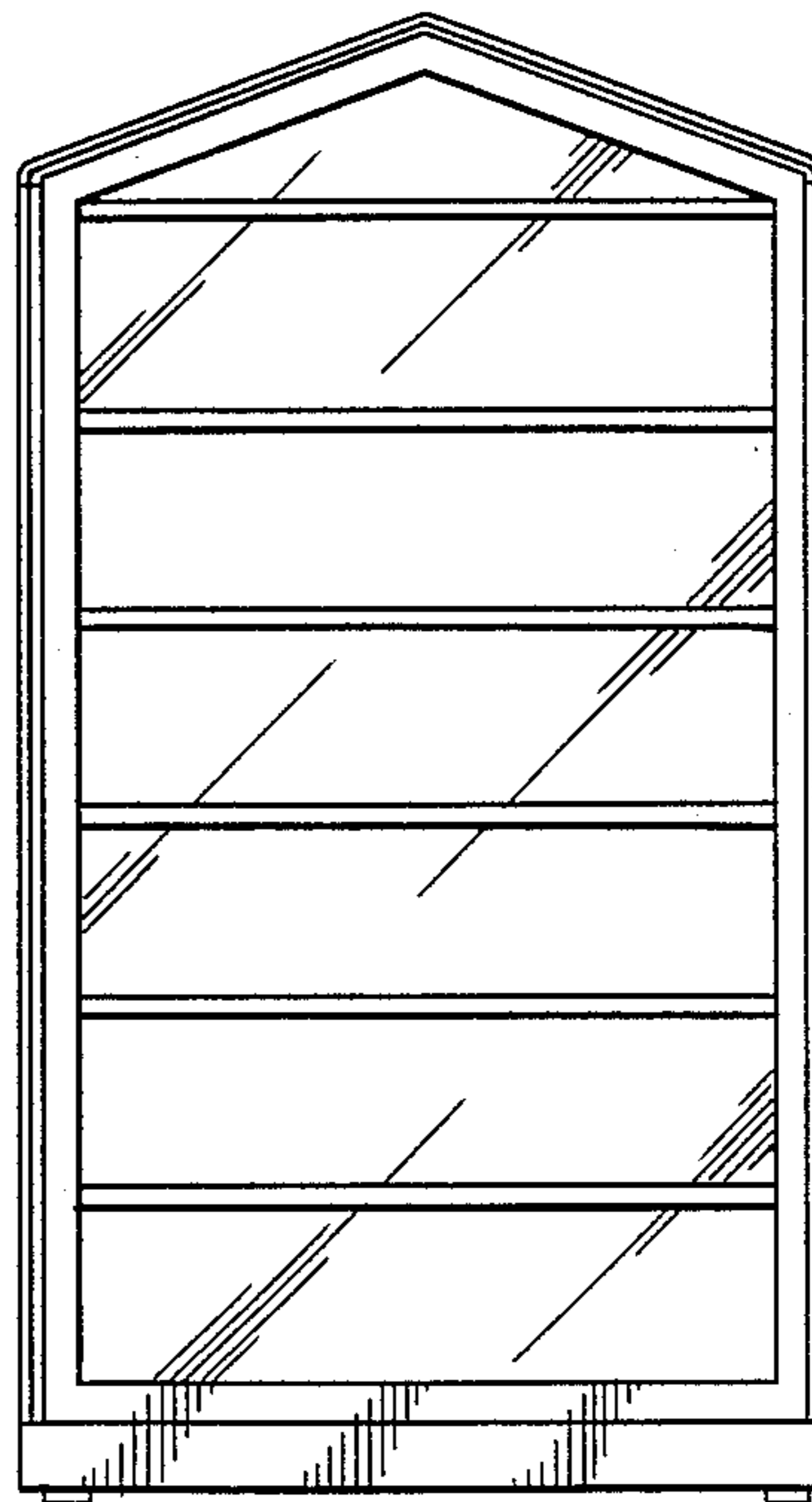


FIG. 12

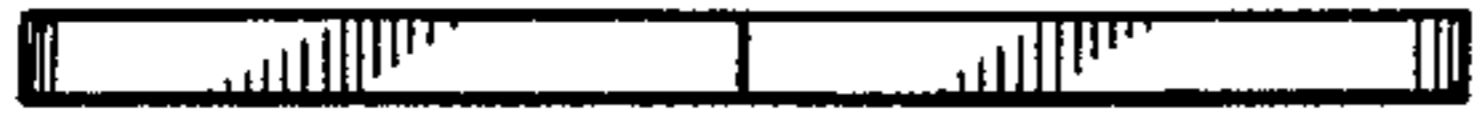


FIG. 17

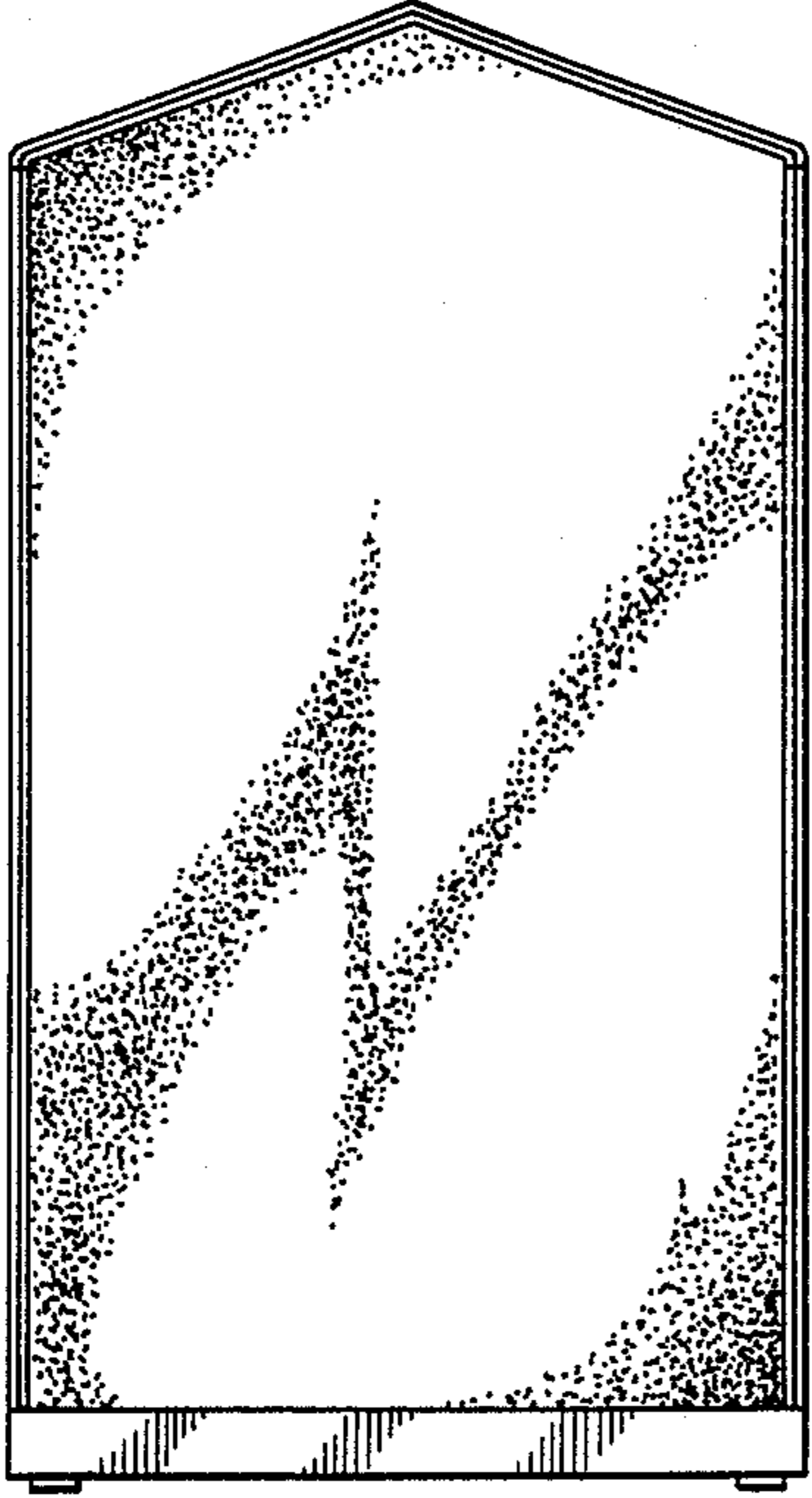


FIG. 15



FIG. 16



FIG. 19



FIG. 18

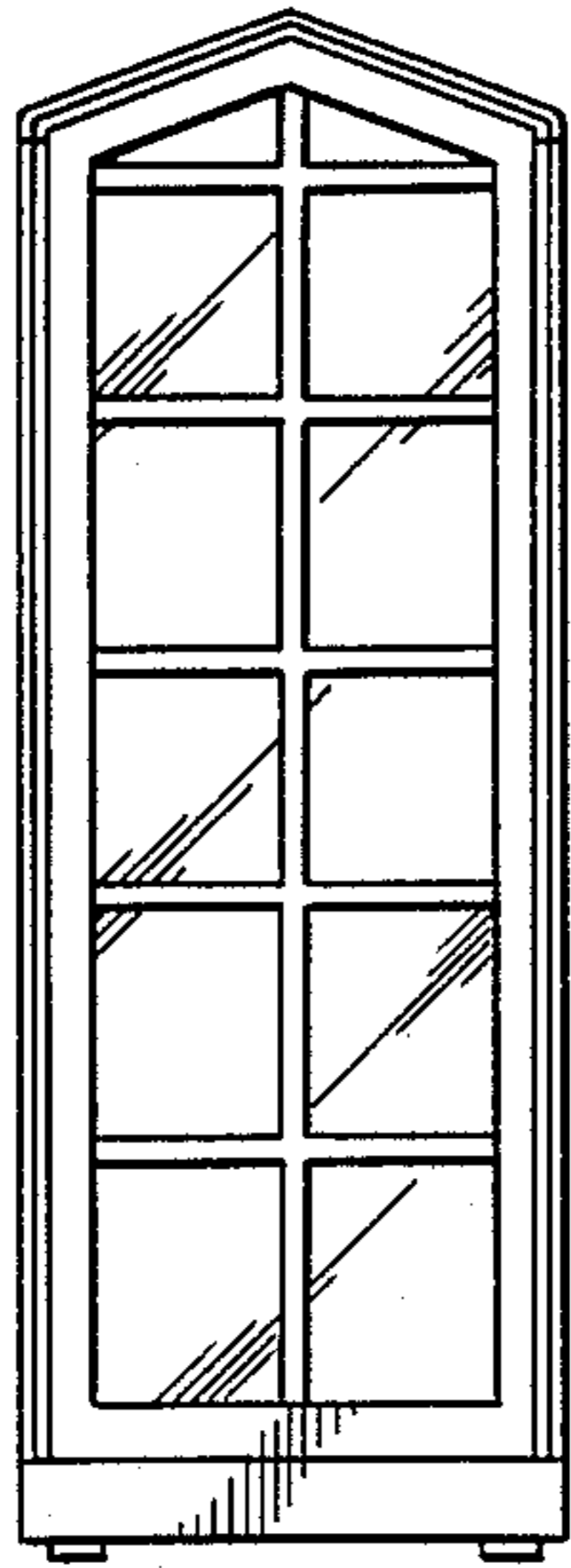


FIG. 13

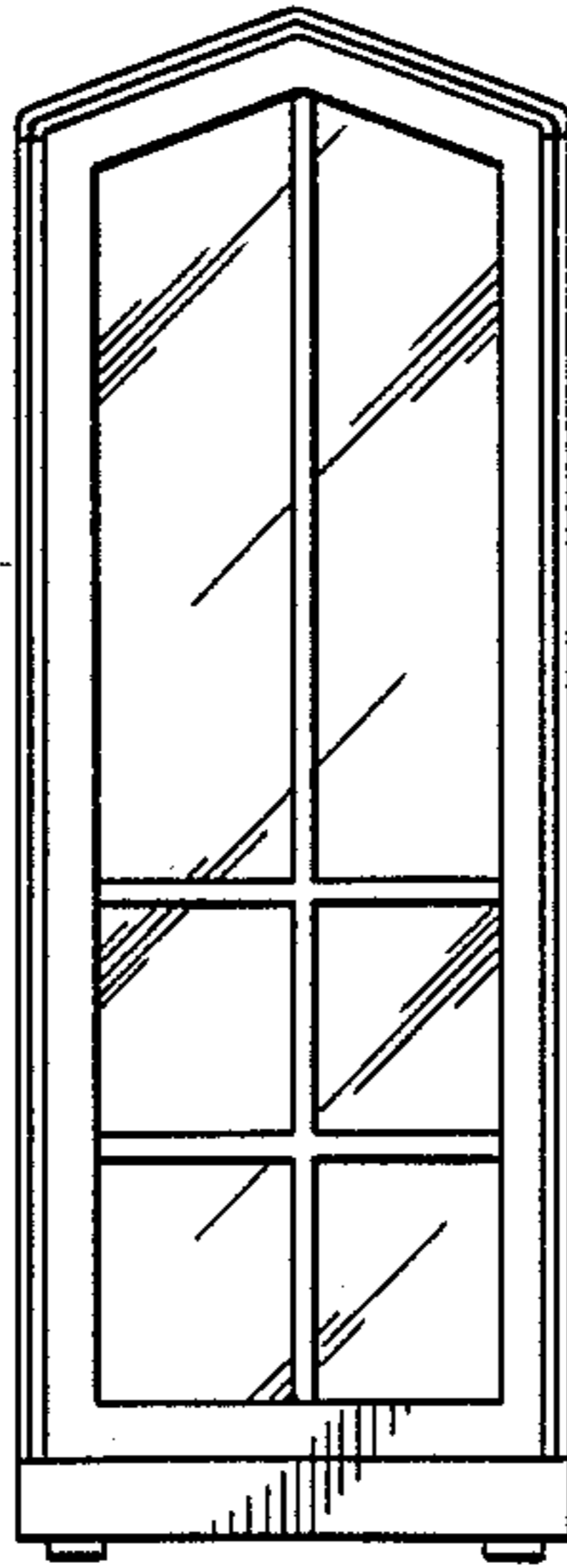


FIG. 14