

[54] BRUSH HANDLE

[75] Inventor: Eric Gingras, Cross Junction, Va.

[73] Assignee: Rubbermaid Commercial Products Inc., Winchester, Va.

[\*\*] Term: 14 Years

[21] Appl. No.: 127,968

[22] Filed: Dec. 3, 1987

[52] U.S. Cl. .... D4/138

[58] Field of Search ..... D4/130, 131, 132, 134-138, D4/199; 15/143 R, 145, 146, 159 R, 160, 165, 167.1, 167.2, 167.3, 186-188; D7/99-104, 393, 395; D8/DIG. 4, DIG. 5

[56] References Cited

U.S. PATENT DOCUMENTS

- D. 14,331 10/1883 Edson ..... D4/138
- D. 143,568 1/1946 Wemyss ..... D7/395
- D. 176,898 2/1956 Anderson et al. .... D7/395 X
- D. 178,920 10/1956 Hutcheson ..... D4/138

OTHER PUBLICATIONS

Catalog Page, Cat. & Brush Selection Guide, Cat. No. 600, Sparta Brush Co., Inc., P.O. Box 317, Sparta, Wisc. 54656, Publication date unknown.

Catalog p. 7, Food Service Catalog No. 146, Flo-Pac with 3 locations of Flour City Brush Co., 918 N. Third

St., Minn. Minn. 55401, South Eastern Brush Co., 1120 Oakleigh Dr., East Point, Ga. 30344, and Pacific Coast Brush Co., 2030 E. Seventh St., Los Angeles, Ca. 90021, Publication date unknown.

Sell Sheet, Wilen Manufacturing Co., Street address unknown, City unknown, Ga., Publication date unknown.

Page 10, Vining Ind., No. 2, Brooms, Mops, Brushes, Household Cleaning Aids, 2530 Columbus Ave., P.O. Box 1606, Springfield, OH 44550, Pub. date unknown.

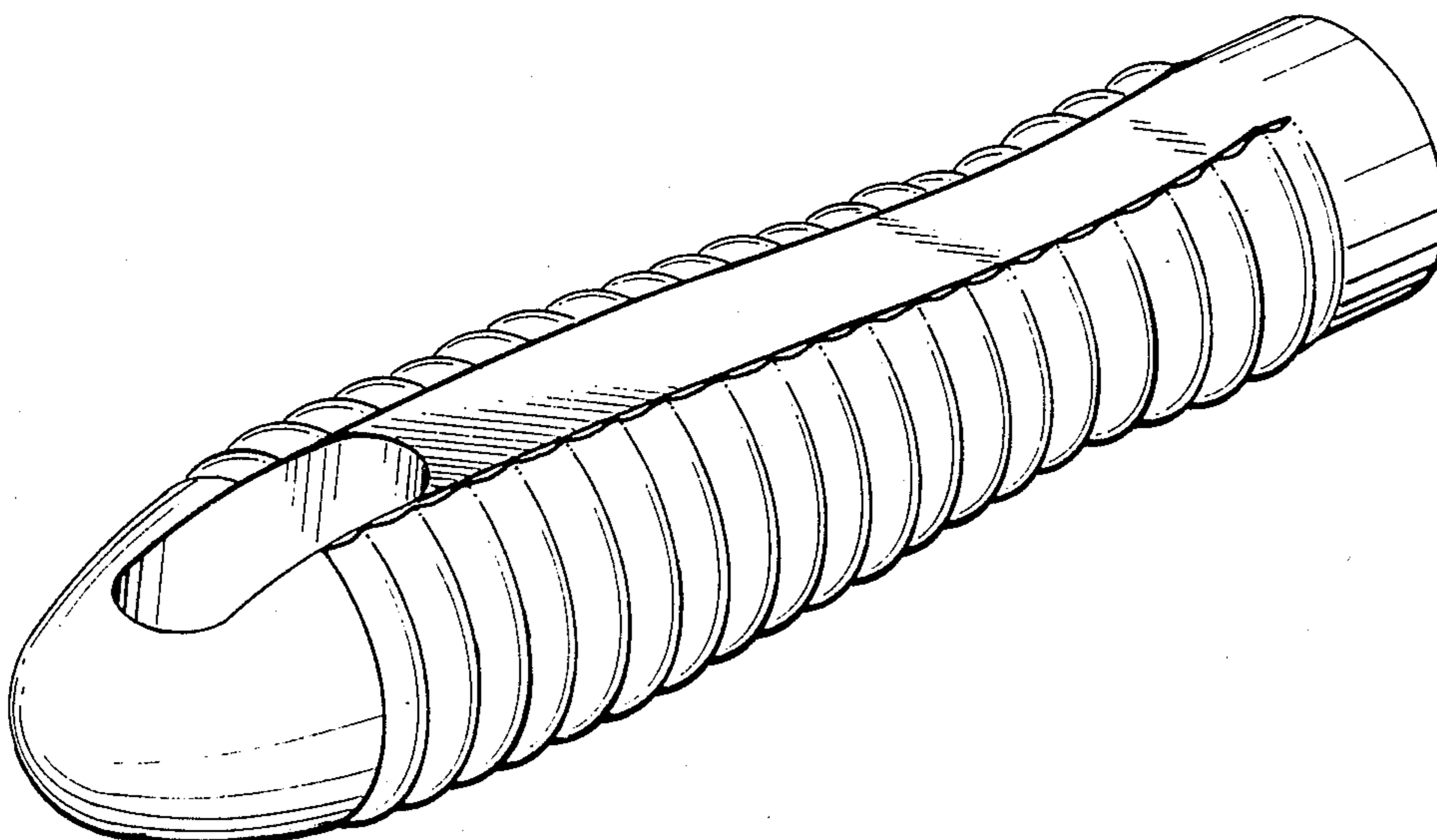
Primary Examiner—Wallace R. Burke  
Assistant Examiner—Lavone Tabor  
Attorney, Agent, or Firm—Richard B. O'Planick

[57] CLAIM

The ornamental design for a brush handle, as shown and described.

DESCRIPTION

- FIG. 1 is a top, end and side perspective view of a brush handle showing my new design;
- FIG. 2 is a top plan view thereof;
- FIG. 3 is a side elevational view thereof, the opposite side being a mirror image;
- FIG. 4 is a bottom plan view thereof;
- FIG. 5 is a left end elevational view thereof;
- FIG. 6 is a right end elevational view thereof.



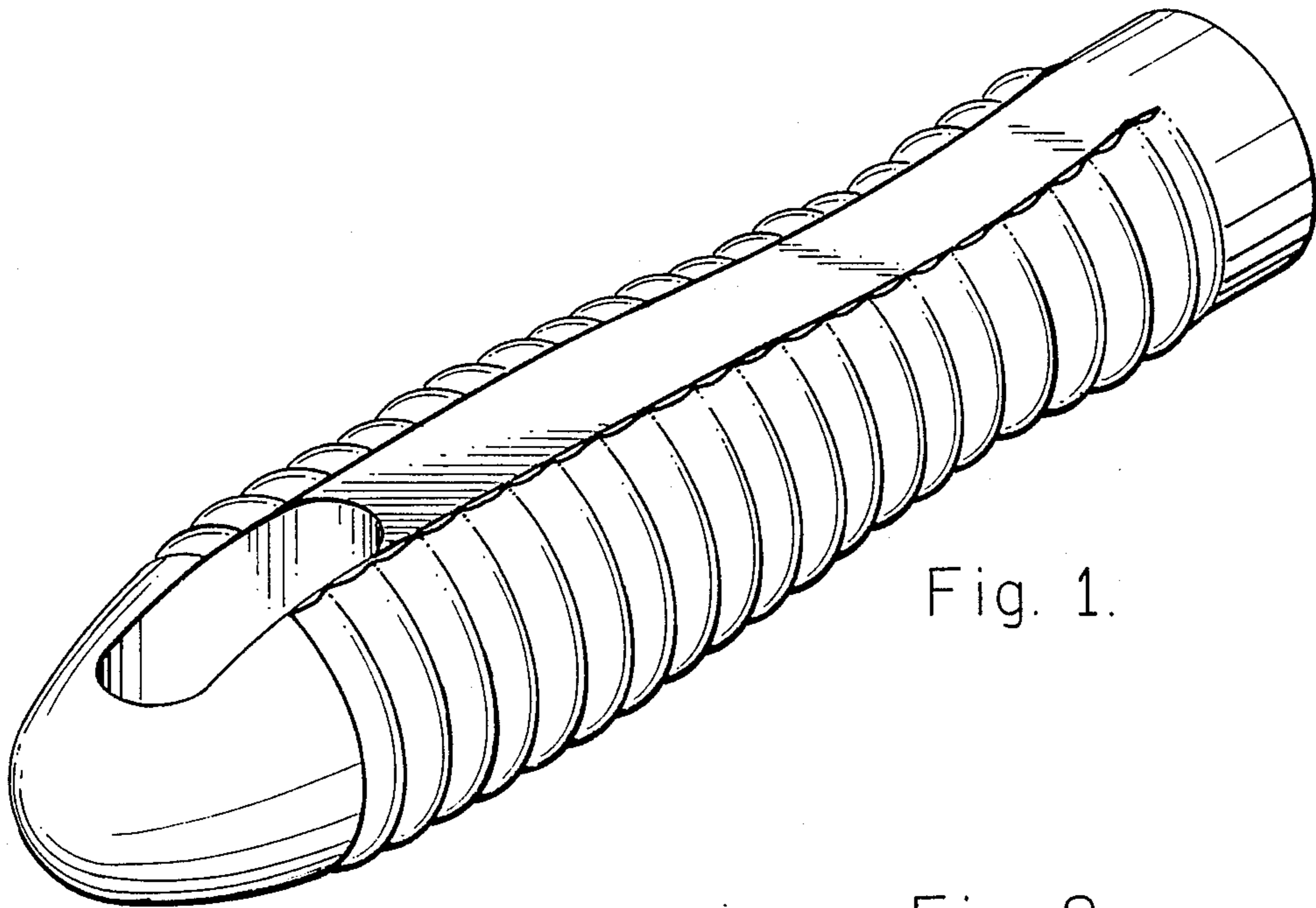


Fig. 1.

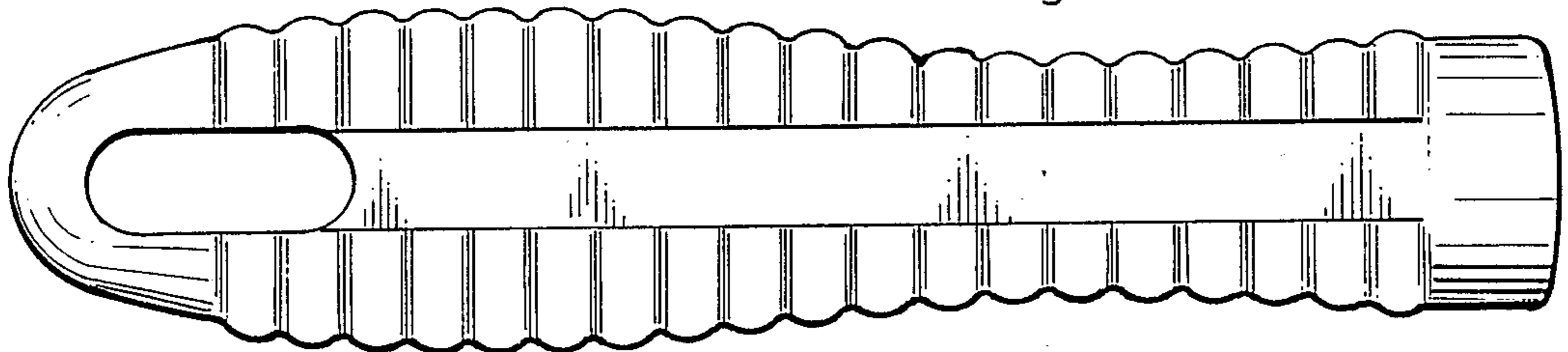


Fig. 2.

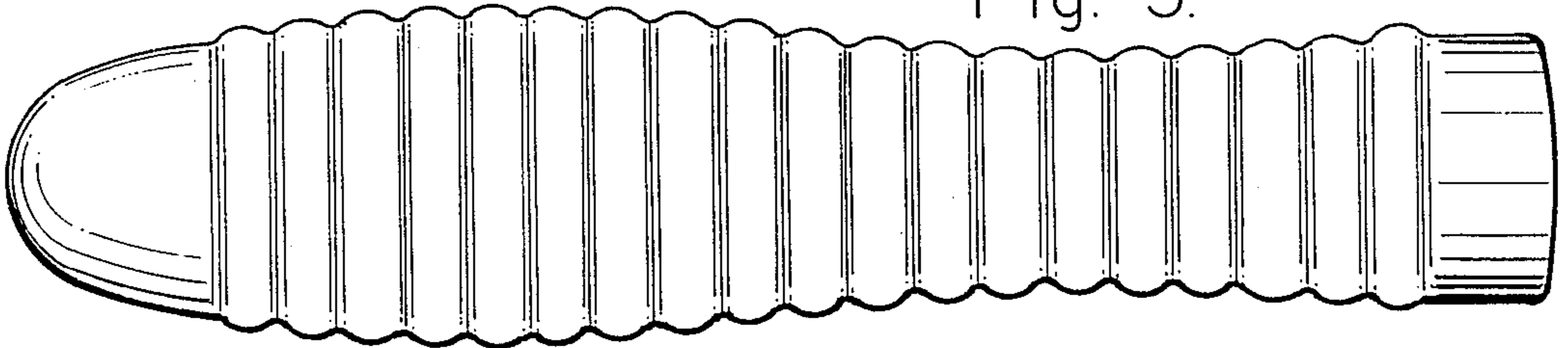


Fig. 3.

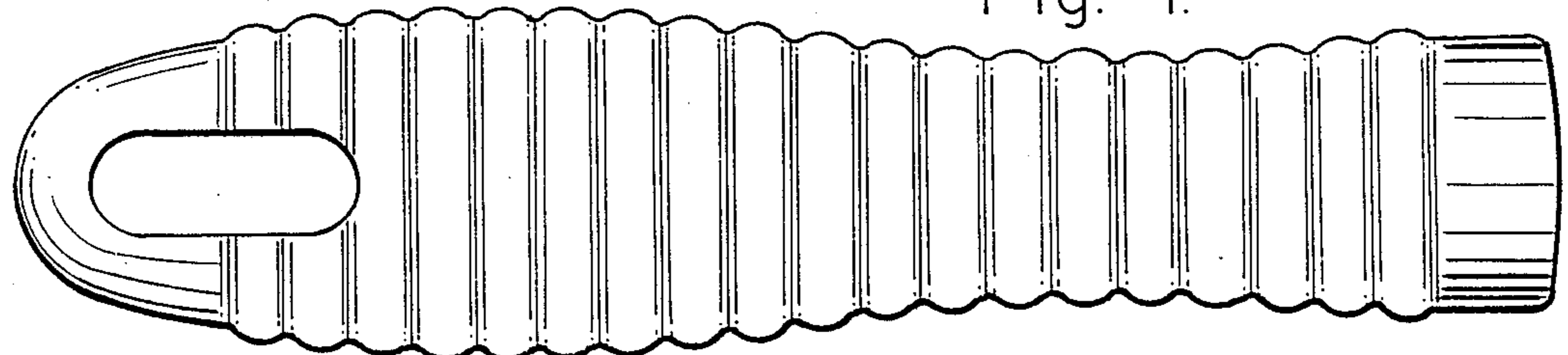


Fig. 4.

Fig. 5.

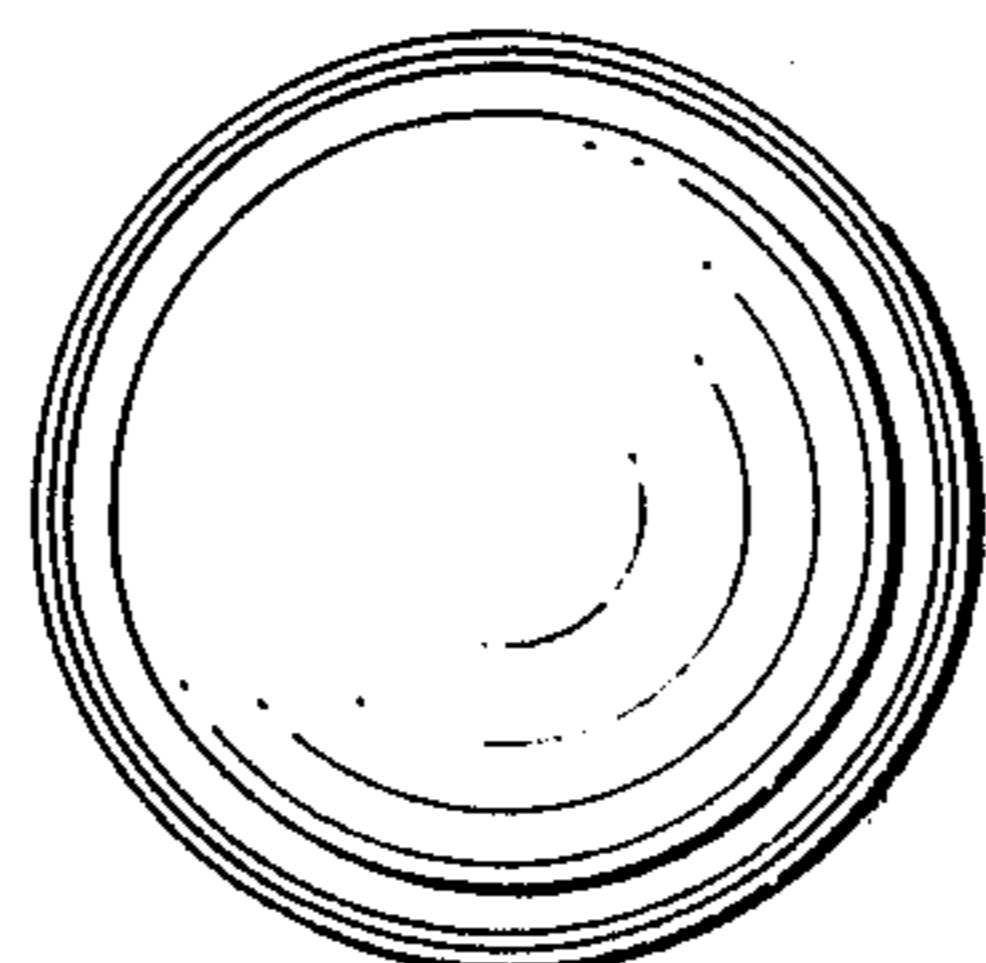


Fig. 6.

