

[54] TOOL BOX

[75] Inventors: Thomas Dickinson, St. Louis, Mo.;
Joe E. Le Grand, Granite City, Ill.

[73] Assignee: Contico International Company, St.
Louis, Mo.

[**] Term: 14 Years

[21] Appl. No.: 916,043

[22] Filed: Oct. 3, 1986

[52] U.S. Cl. D3/72

[58] Field of Search D3/74, 78, 72, 105,
D3/99, 73, 99, 76, 77; D34/12, 19, 27; 206/379,
377, 371-378, 349; 220/4 B, 18, 334, 315;
312/DIG. 33; D9/327; 224/908

[56] References Cited

U.S. PATENT DOCUMENTS

- D. 10,229 9/1877 Straiton et al. D9/327
- D. 17,222 3/1887 Goetting D9/327
- D. 72,392 4/1927 Walinsky D3/77
- D. 209,372 11/1967 Shurman D3/72
- D. 217,080 3/1970 Fleming D3/72
- D. 231,042 3/1974 Lee D3/76

- D. 233,487 10/1974 Weir D3/77
- D. 254,157 2/1980 Pelavin D3/77
- 517,711 4/1894 Westlake D9/327
- 1,983,763 12/1934 Lacher D3/77
- 3,747,796 7/1973 Kneier et al. 312/DIG. 33

OTHER PUBLICATIONS

Aero Mills catalogue, p. 7, Oct. 1984.

Primary Examiner—Nelson C. Holtje

Assistant Examiner—Antoine D. Davis

Attorney, Agent, or Firm—Sandler & Greenblum

[57] CLAIM

The ornamental design for a tool box, as shown and described.

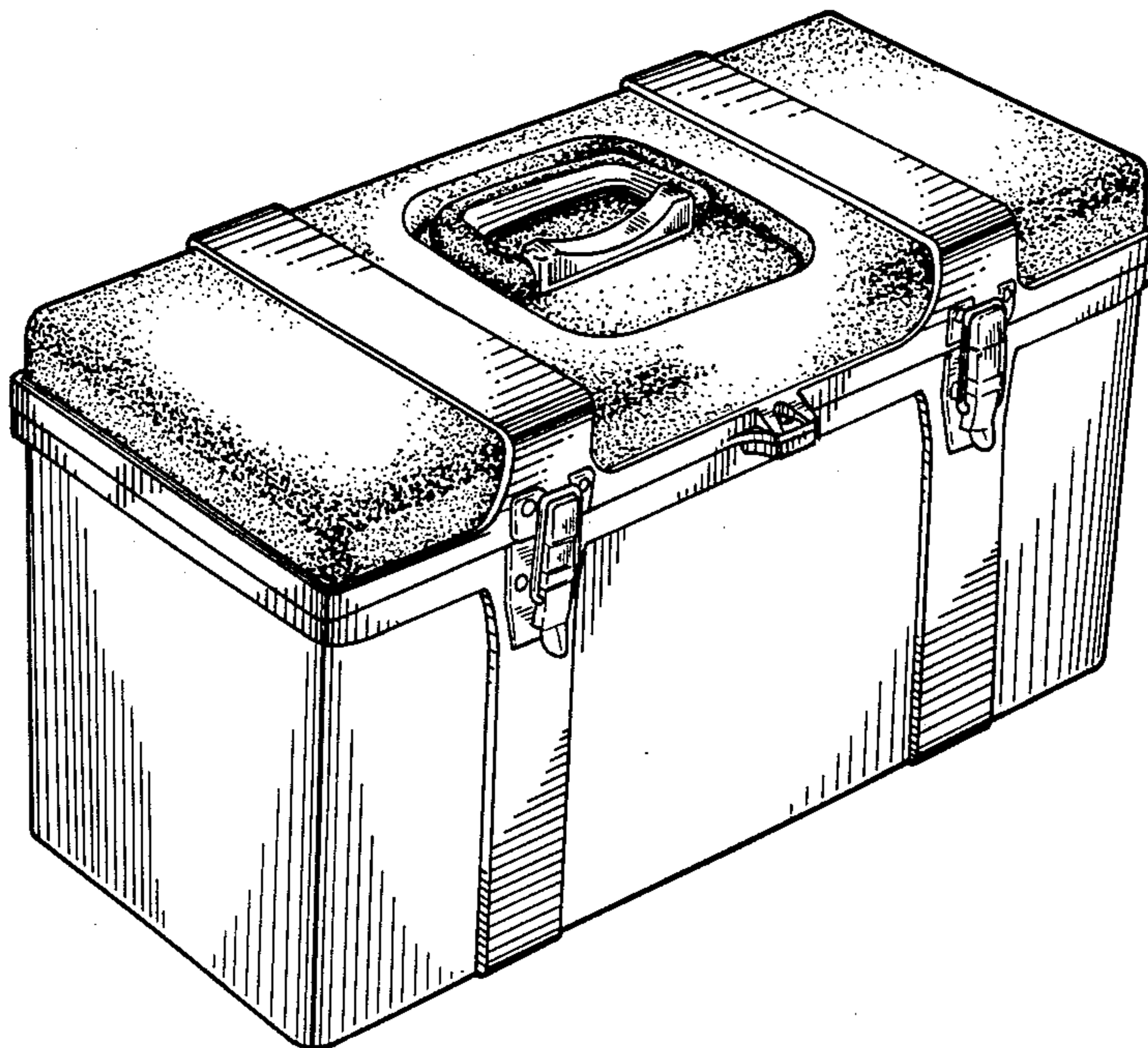
DESCRIPTION

FIG. 1 is a top and left, front perspective view of a tool box showing our new design, the right side view being identical to the left;

FIG. 2 is a bottom, rear perspective view thereof;

FIG. 3 is a top and left, front perspective view of another embodiment of our new design of FIGS. 1-2, the right side view being identical to the left;

FIG. 4 is a bottom, rear perspective view thereof.



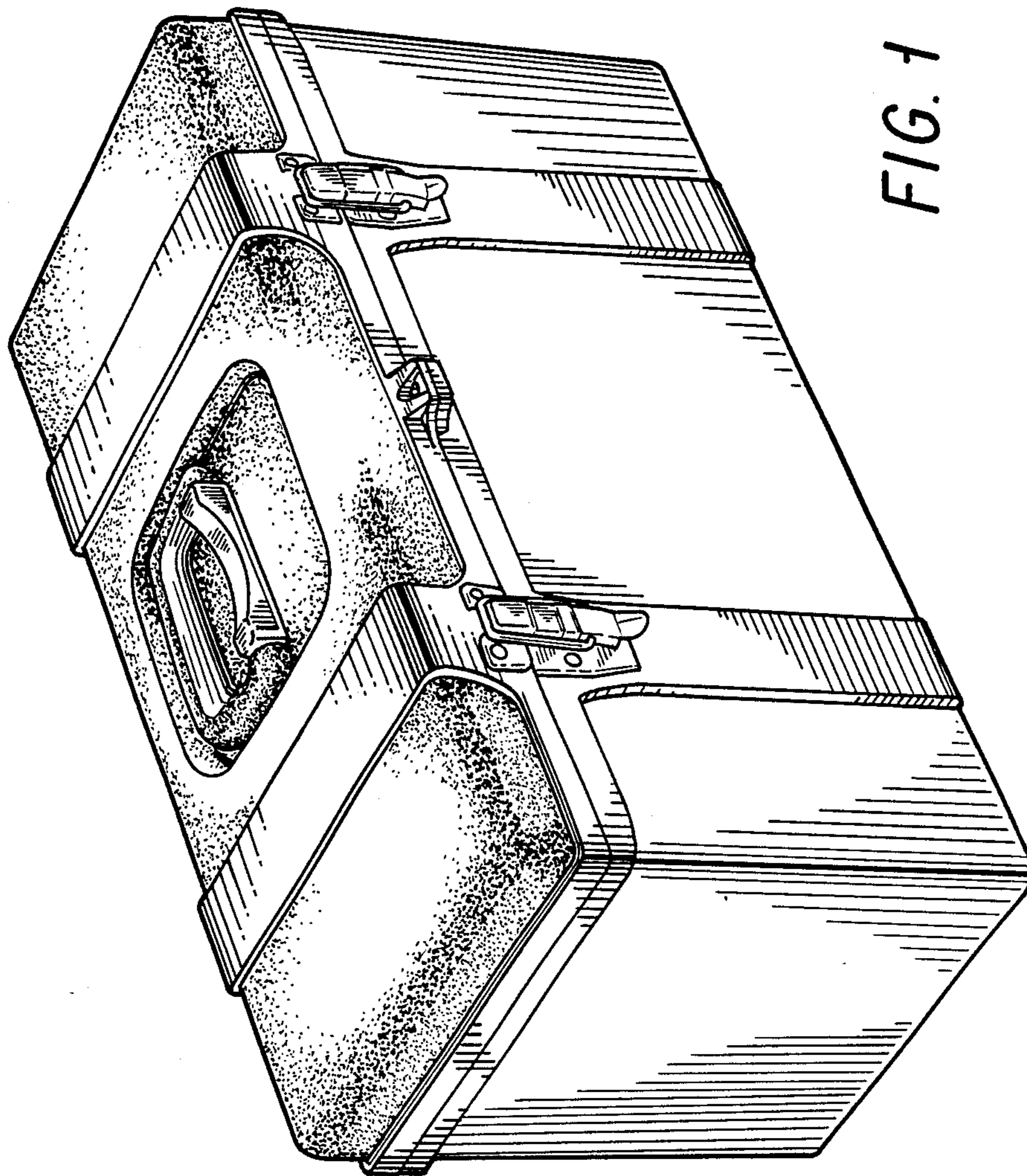


FIG. 1

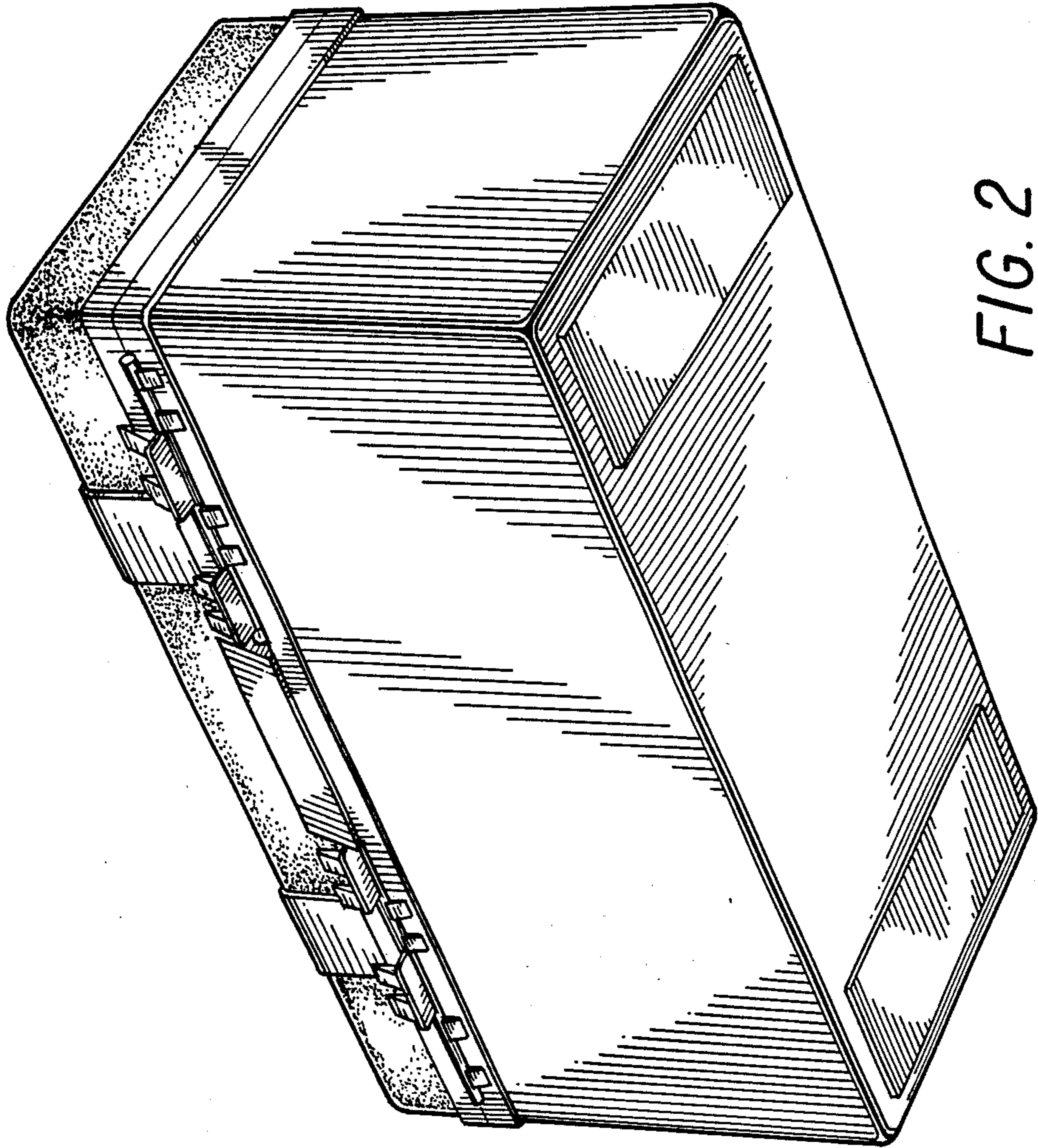


FIG. 2

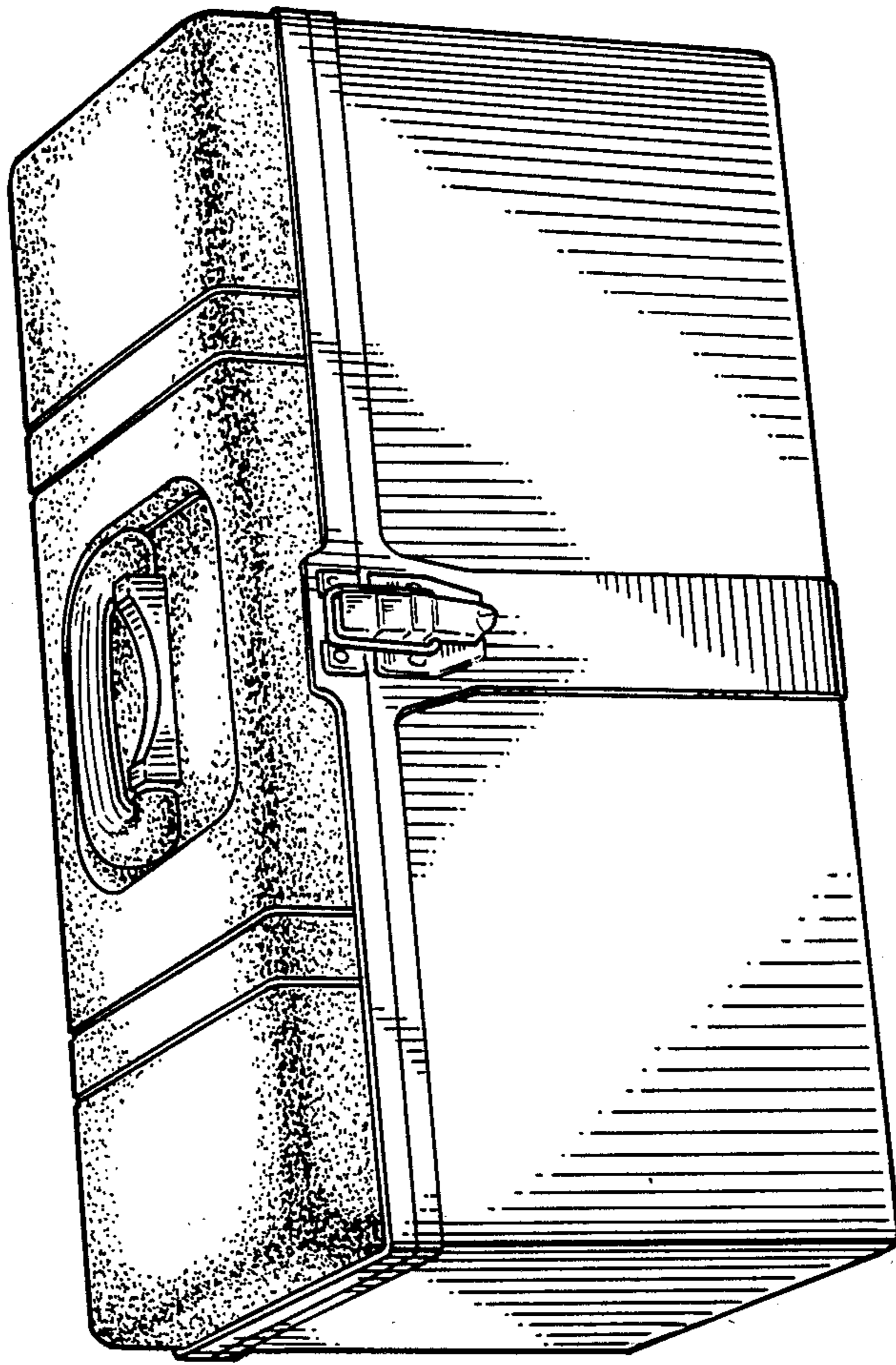


FIG. 3

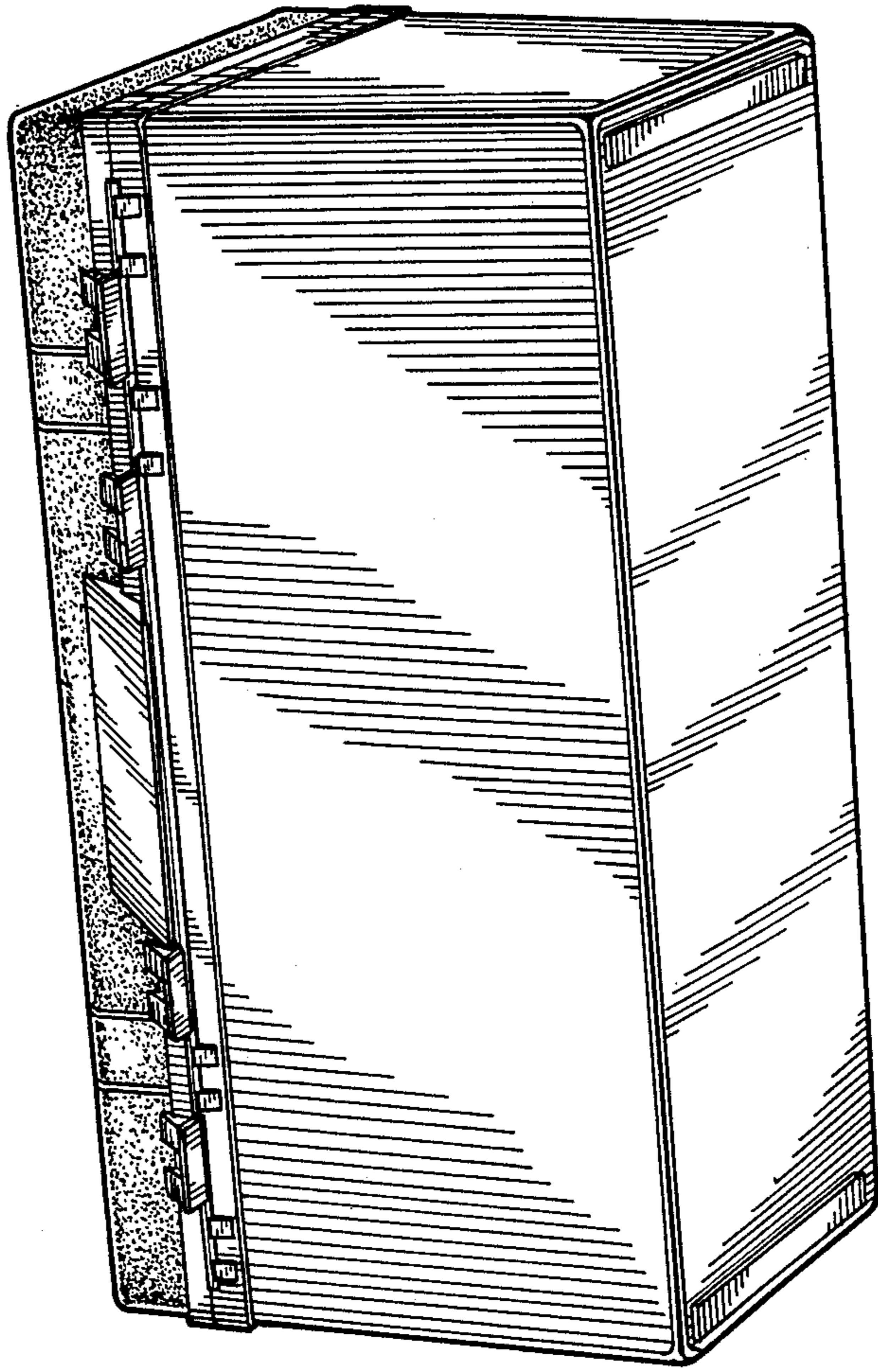


FIG. 4