

[54] **WALL OUTLET BOX FOR A CENTRAL VACUUM CLEANING SYSTEM**

[75] **Inventor: Thomas J. Anoszko, Madison, Wis.**

[73] **Assignee: Research Products Corporation, Madison, Wis.**

[\*\*] **Term: 14 Years**

[21] **Appl. No.: 871,664**

[22] **Filed: Jun. 5, 1986**

[52] **U.S. Cl. .... D32/25**

[58] **Field of Search .... D32/1, 21, 25, 31; D13/31, 32, 35, 40, 99; D8/350, 353; 15/301, 312 R, 314, 315; 200/61.6; 137/360; 251/149.9; 220/3.3-3.15, 3.8, 242; 174/67; 439/544-545**

[56] **References Cited**

**U.S. PATENT DOCUMENTS**

D. 211,826	7/1968	Hamrick .....	D32/31
D. 229,164	11/1973	Tevis .....	D8/350
D. 233,729	11/1974	De Forrest .....	D8/353
D. 270,232	8/1983	Leong .....	D8/353
D. 273,557	4/1984	Mastro et al. ....	D8/353
2,851,286	9/1958	Bishop .....	284/18
3,036,814	5/1962	Stevens .....	251/299
3,048,875	8/1962	Bottinelli et al. ....	15/301
3,076,068	1/1963	Racklyeft .....	200/61.6
3,088,484	5/1963	Marsh .....	137/360
3,173,164	3/1965	Congdon .....	15/314
3,283,093	11/1966	Bishop .....	260/61.6
3,291,927	12/1966	Riley Jr. et al. ....	200/61.6
3,335,744	8/1967	Hanford .....	137/360
3,357,039	12/1967	Hayward .....	15/314

3,468,334	9/1969	Hamrick .....	137/355.23
3,483,503	12/1969	Paradiso .....	339/15
3,565,103	2/1971	Maselek .....	137/360
3,570,809	3/1971	Stuy .....	251/149.9
3,628,769	12/1971	Lee .....	251/149.9
3,661,356	5/1972	Tucker .....	251/299
4,289,921	9/1981	Gartner et al. ....	174/67
4,336,427	6/1982	Lindsay .....	200/61.6

**OTHER PUBLICATIONS**

NuTone Wall Inlet Kit Installation Instructions, NuTone Housing Group Scovill, Madison and Red Bank Roads, Cincinnati, Ohio 45227, 1/84, Part No. 58816.

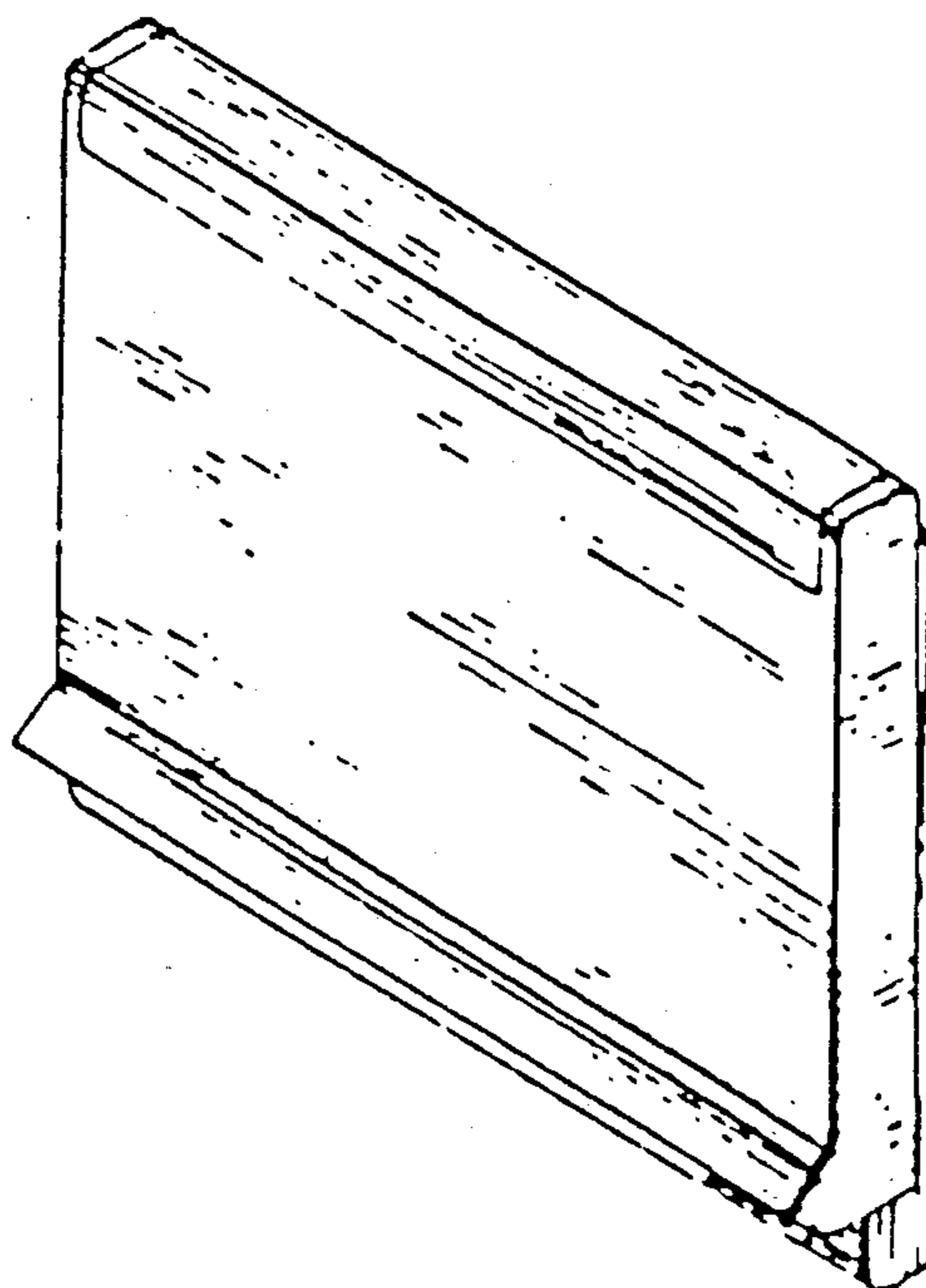
*Primary Examiner*—James R. Largen  
*Assistant Examiner*—Ruth Takemoto  
*Attorney, Agent, or Firm*—Andrus, Scales, Starke & Sawall

[57] **CLAIM**

The ornamental design for a wall outlet box for a central vacuum cleaning system, as shown and described.

**DESCRIPTION**

FIG. 1 is a perspective view of a wall outlet box for a central vacuum cleaning system, showing my new design;  
 FIG. 2 is a right end elevational view thereof, the left end view being a mirror image;  
 FIG. 3 is a front elevational view thereof.  
 FIG. 4 is a top plan view thereof; and  
 FIG. 5 is a bottom plan view thereof.  
 The wall shown in broken lines in FIGS. 2, 4, and 5 is for illustrative purposes only and forms no part of the claimed design.



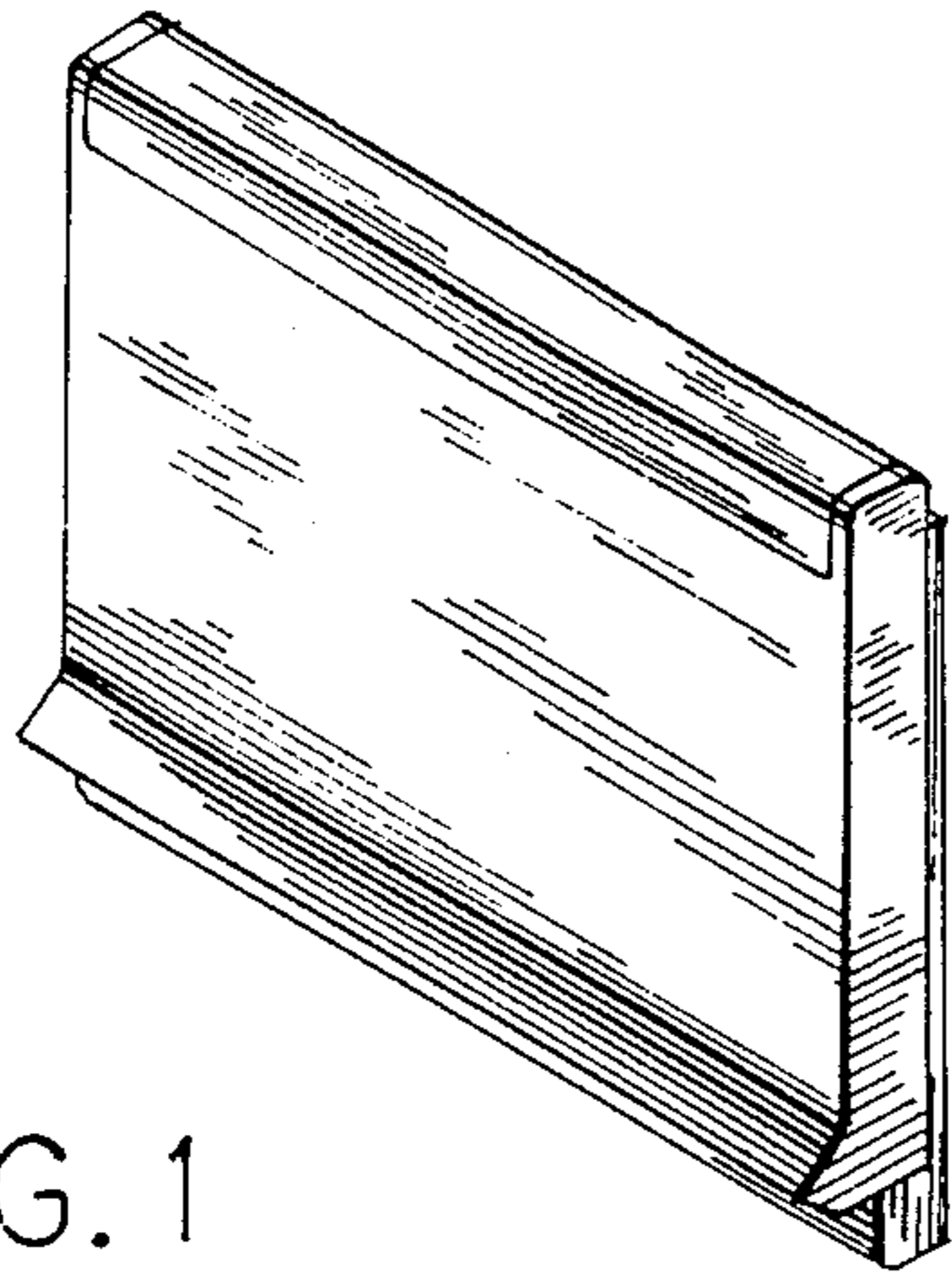


FIG. 1

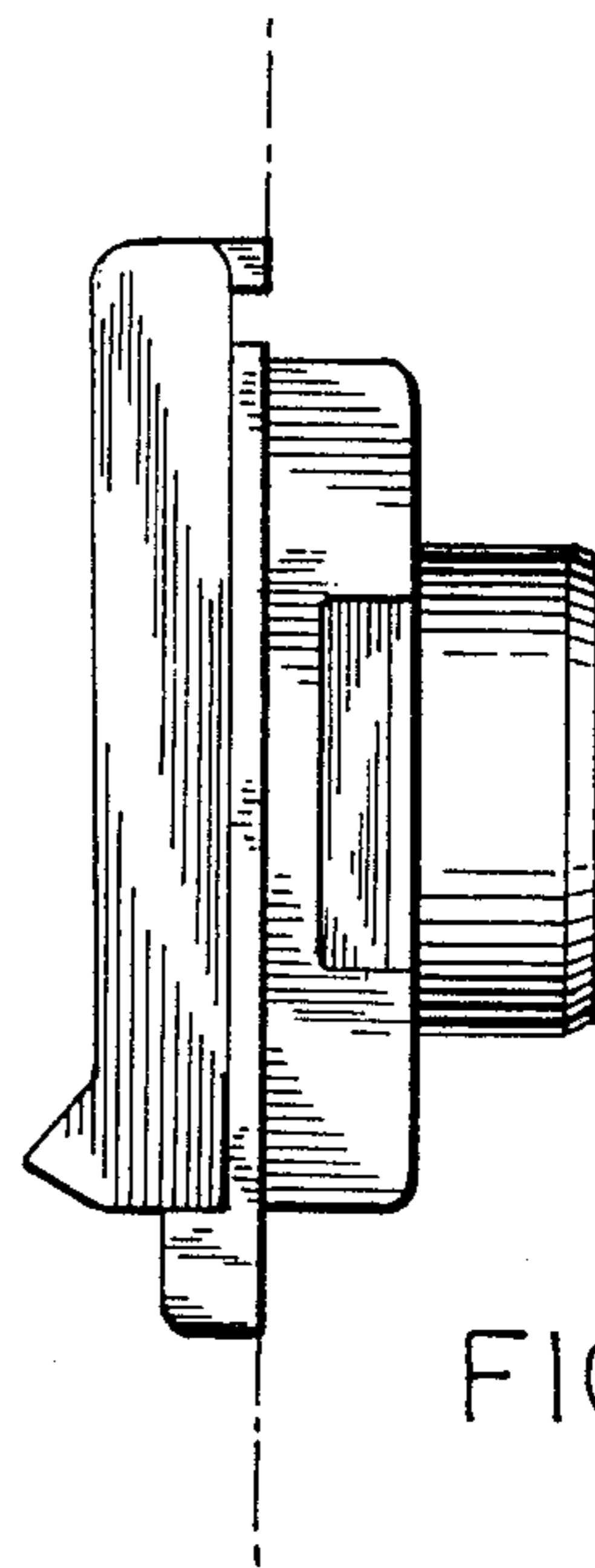


FIG. 2

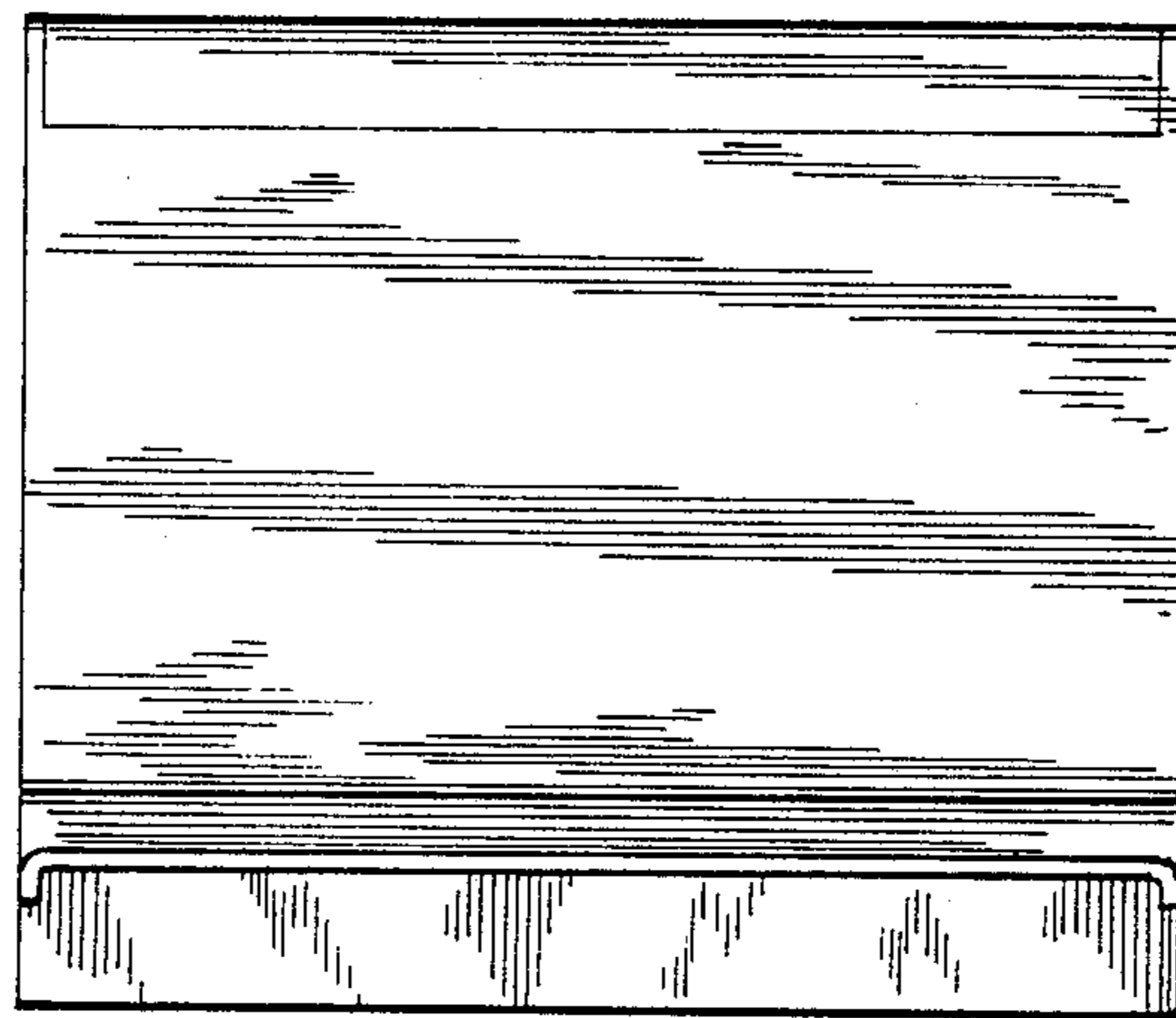


FIG. 3

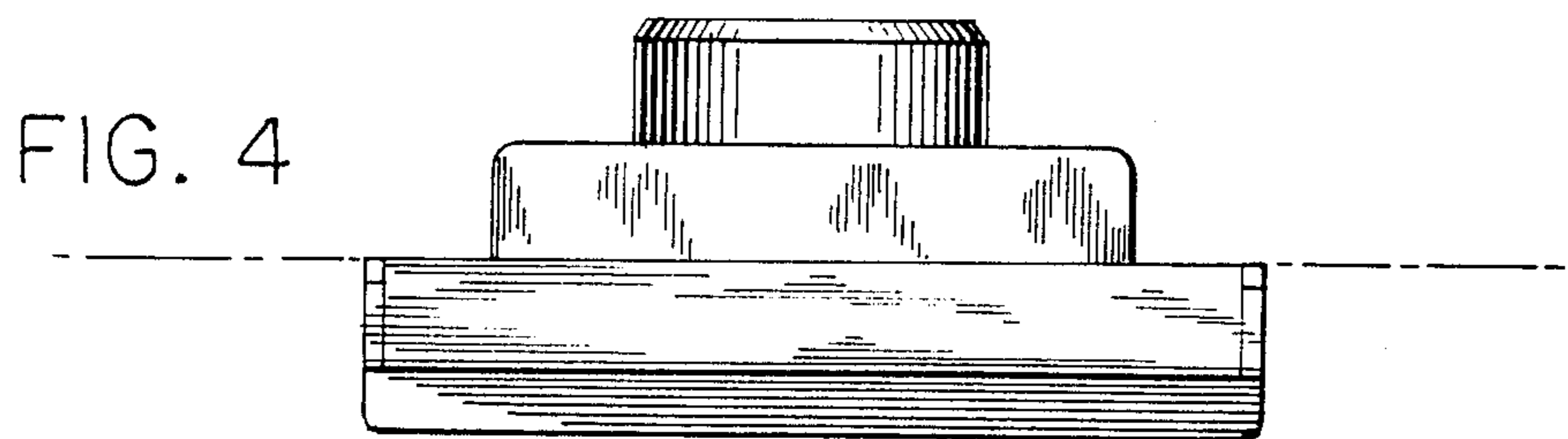


FIG. 4

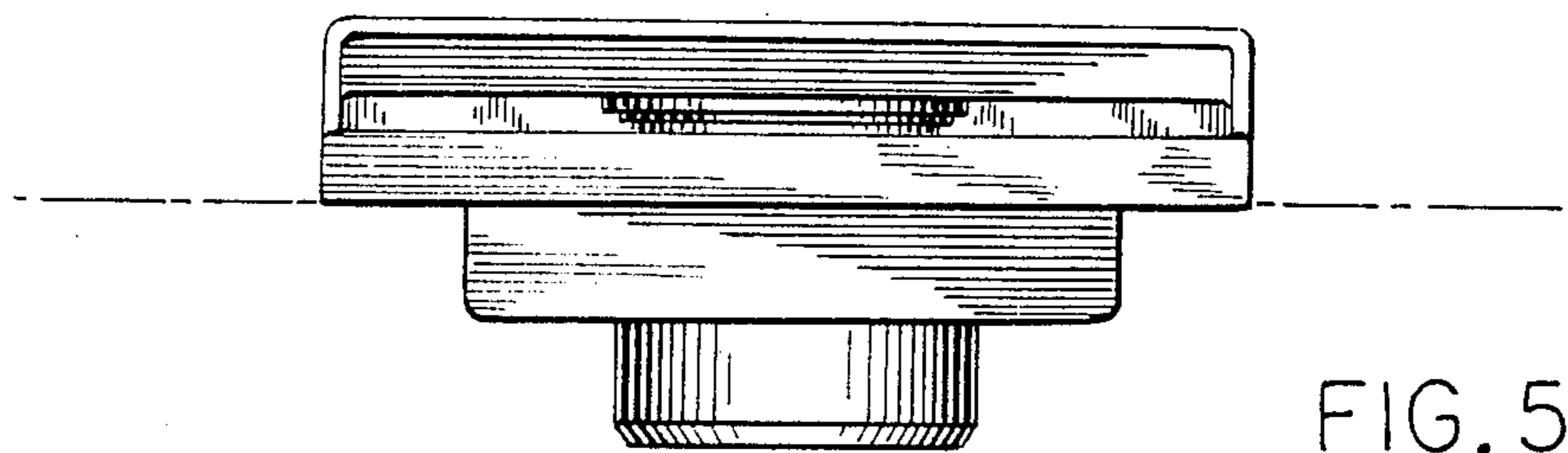


FIG. 5