

[54] CARPET CLEANER

[75] Inventors: Michael B. Woodhall, Maidenhead;
Mark Jennings, Windsor, both of
England

[73] Assignee: Shop-Vac Corporation, Williamsport,
Pa.

[**] Term: 14 Years

[21] Appl. No.: 83,836

[22] Filed: Aug. 10, 1987

[30] Foreign Application Priority Data

Feb. 10, 1987 [GB] United Kingdom 10039852
[52] U.S. Cl. D32/22
[58] Field of Search D32/1, 21-22,
D32/31-34; 15/320-325, 328-336, 338,
344-345, 346, 350, 353-354, 352

[56] References Cited

U.S. PATENT DOCUMENTS

D. 288,016 1/1987 Watkins et al. D32/22
D. 293,729 1/1988 Soeffker et al. D32/22
4,559,665 12/1985 Fitzwater 15/353

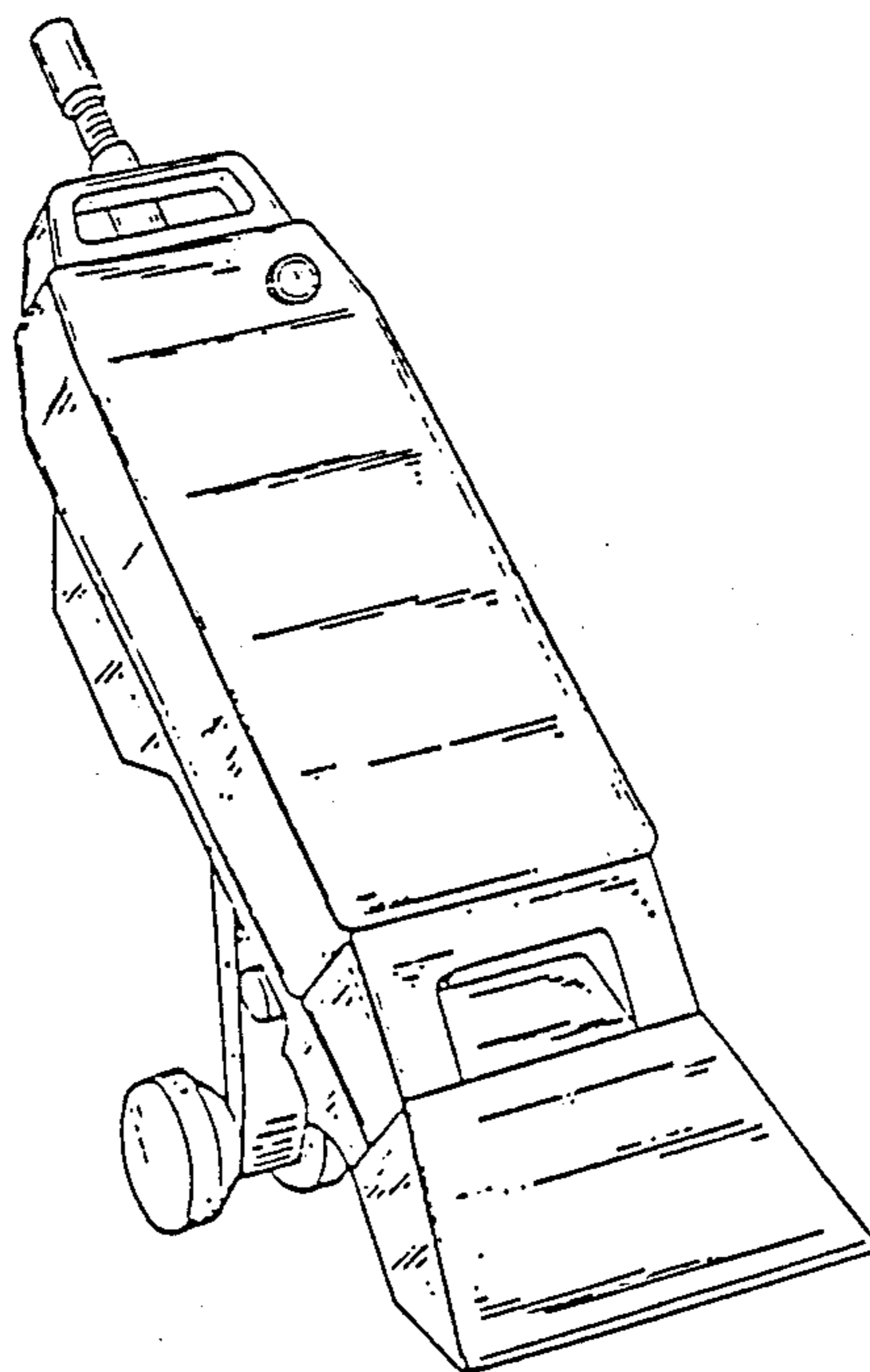
Primary Examiner—James R. Largen
Assistant Examiner—Ruth Takemoto
Attorney, Agent, or Firm—Ostrolenk, Faber, Gerb &
Soffen

[57] CLAIM

The ornamental design for a carpet cleaner, as shown
and described.

DESCRIPTION

FIG. 1 is a left side elevational view of a carpet cleaner
showing our new design, the right side being a mirror
image thereof;
FIG. 2 is a front elevational view thereof;
FIG. 3 is a rear elevational view thereof;
FIG. 4 is a top plan view thereof;
FIG. 5 is a bottom plan view thereof; and
FIG. 6 is a top, front and side perspective view thereof.



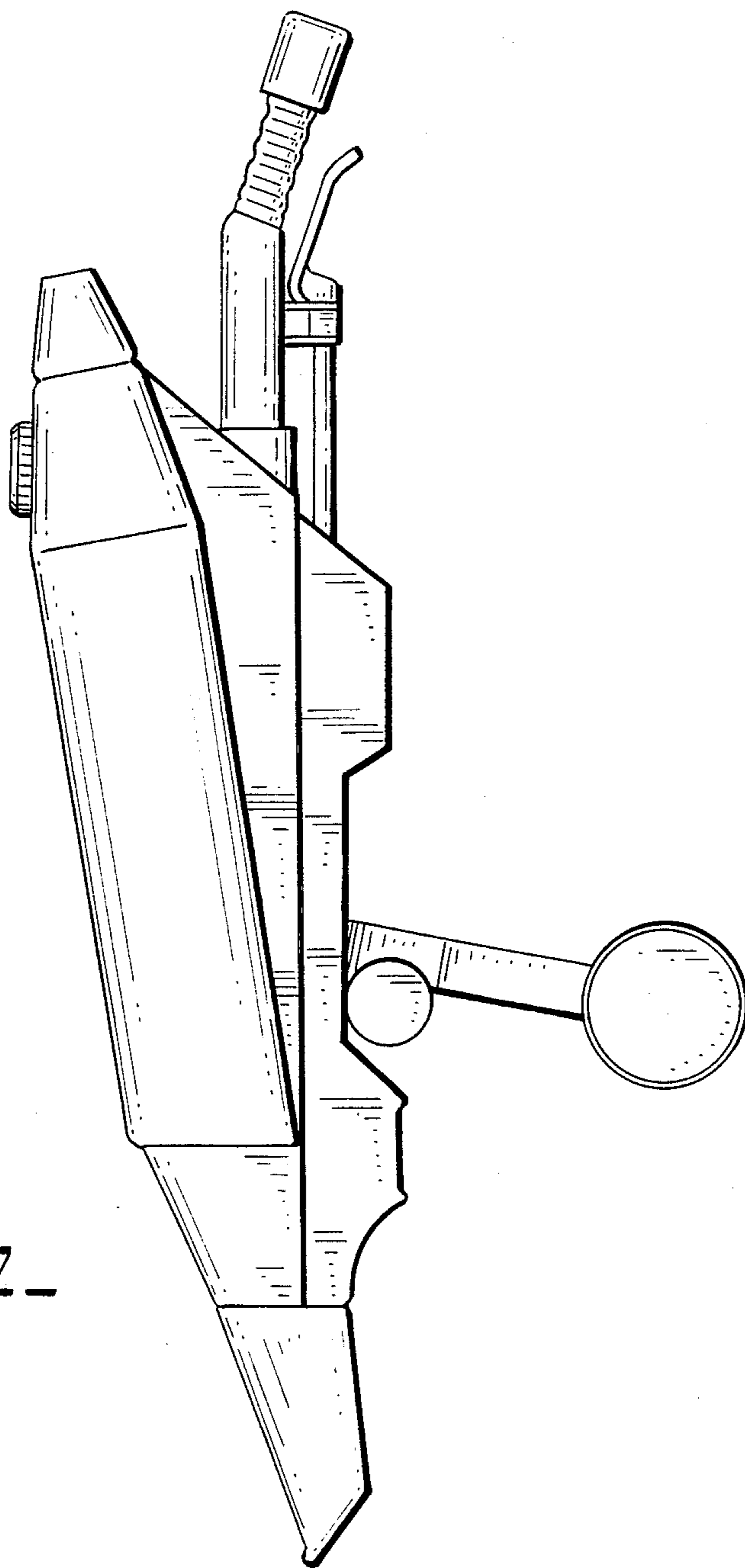


FIG. 1

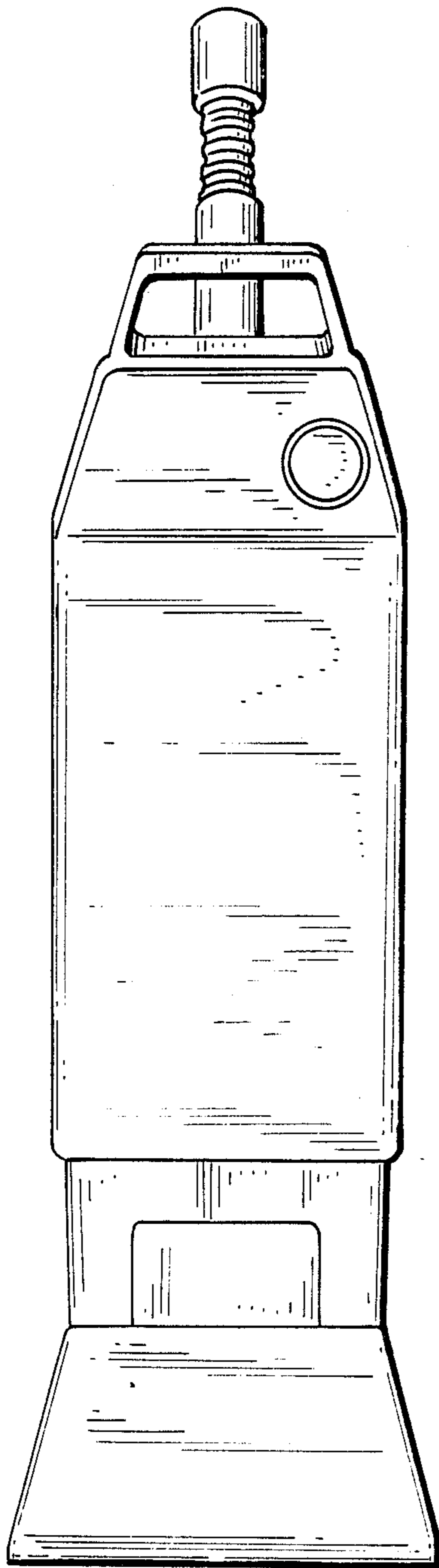


FIG. 2.

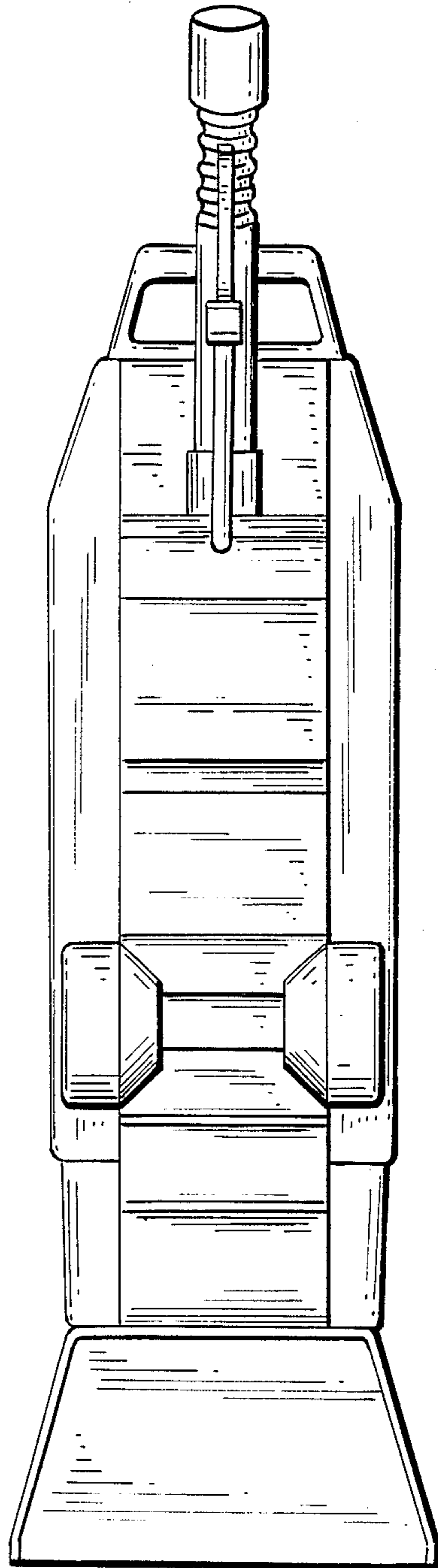


FIG. 3.

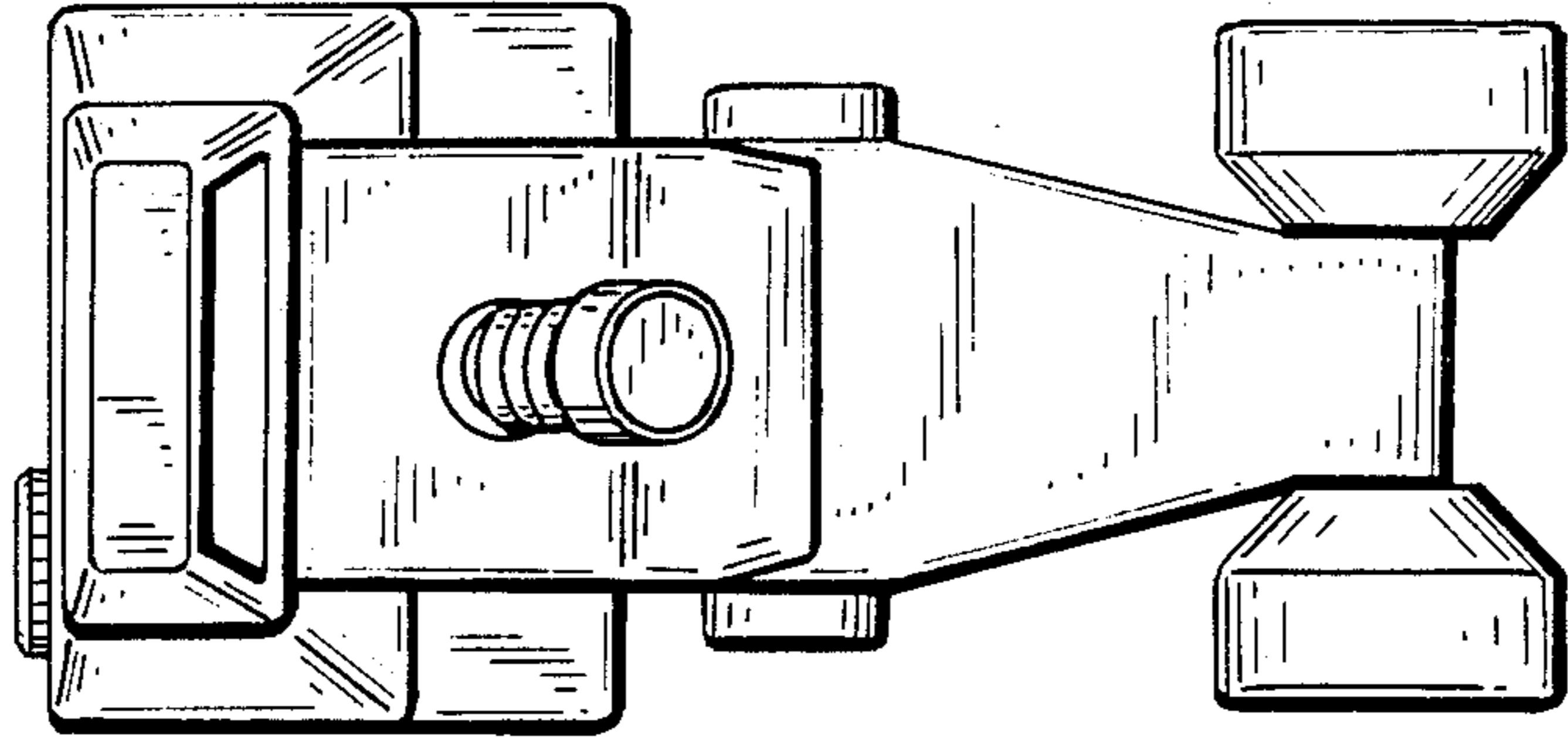


FIG. 4.

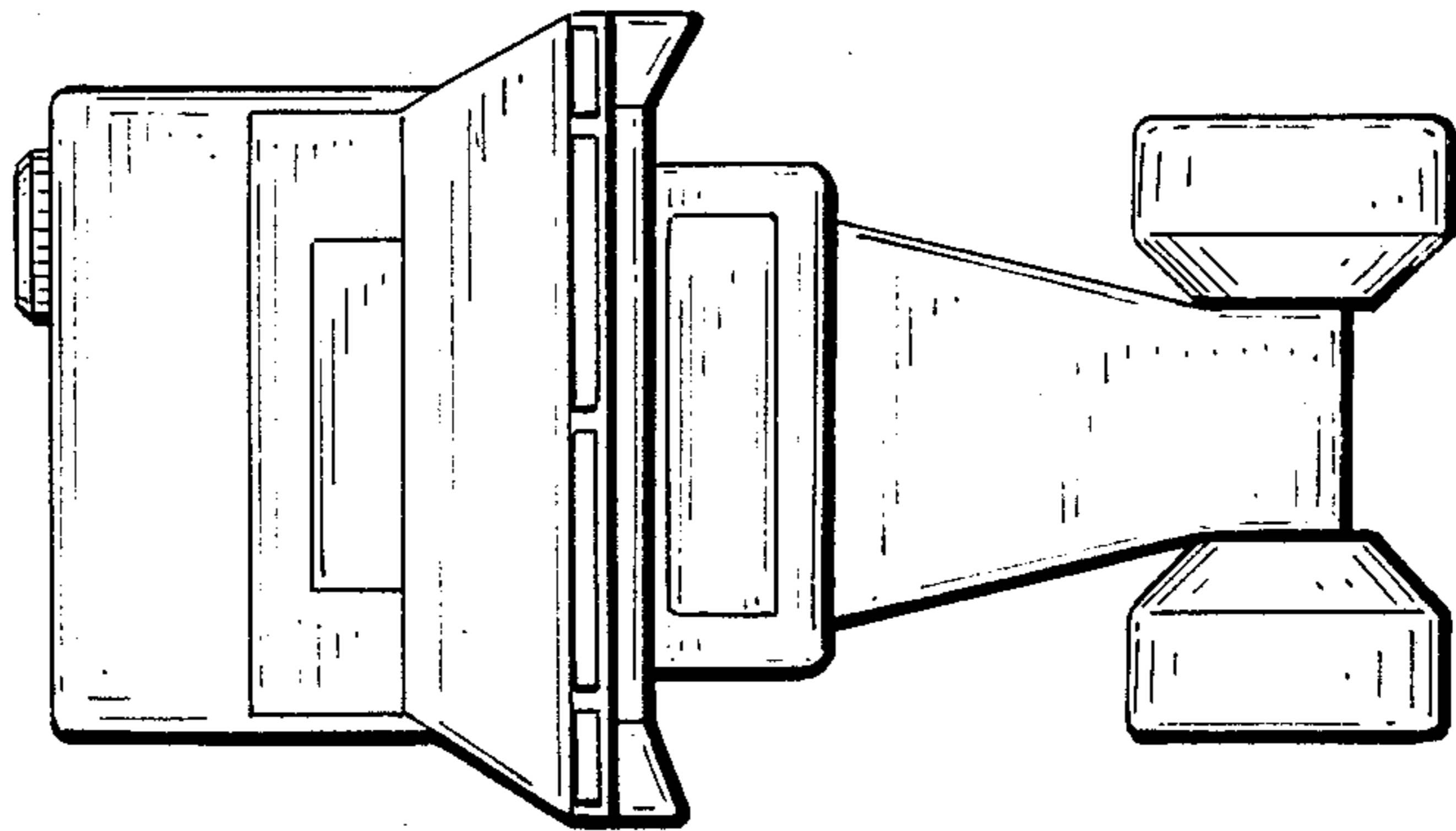


FIG. 5.

FIG. 6.

