

[54] FIVE WAY RESPIRATORY VALVE

[75] Inventors: Hans Rudolph, Shawnee Mission; Kevin A. Rudolph, Leawood, both of Kans.

[73] Assignee: Hans Rudolph, Inc., Kansas City, Mo.

[\*] Notice: The portion of the term of this patent subsequent to Mar. 14, 2003 has been disclaimed.

[\*\*] Term: 14 Years

[21] Appl. No.: 82,187

[22] Filed: Aug. 6, 1987

[52] U.S. Cl. .... D29/7

[58] Field of Search ..... D24/53, 51; D29/7, 6; 128/205.24, 205.17, 204.19, 203.14, 200.14; 210/448, 452, 510.1

[56] References Cited

U.S. PATENT DOCUMENTS

- D. 276,464 11/1984 Weigl et al. .... D24/53
- D. 276,465 11/1984 Clawson et al. .... D24/53

- D. 300,270 3/1989 Rudolph et al. .... D29/7
- D. 300,271 3/1989 Rudolph et al. .... D29/7
- D. 300,272 3/1989 Rudolph et al. .... D29/7
- D. 300,273 3/1989 Rudolph et al. .... D29/7
- D. 300,274 3/1989 Rudolph et al. .... D29/7
- 3,643,686 2/1972 Koegel ..... 128/205.24 X
- 4,436,090 3/1984 Darling ..... 128/205.24 X
- 4,489,721 12/1984 Ozaki et al. .... 128/205.24
- 4,493,339 1/1985 Porter, Jr. .... 128/205.24

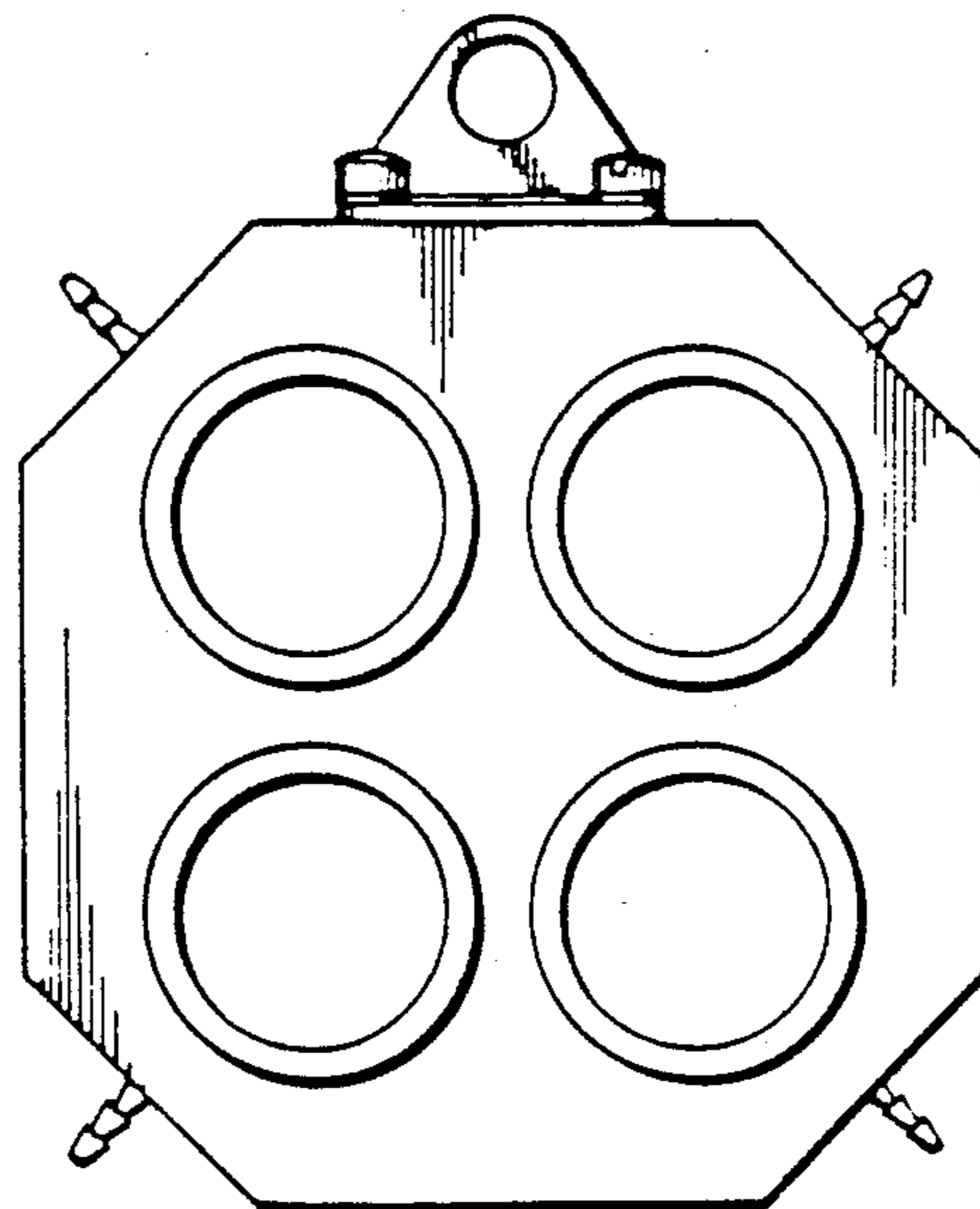
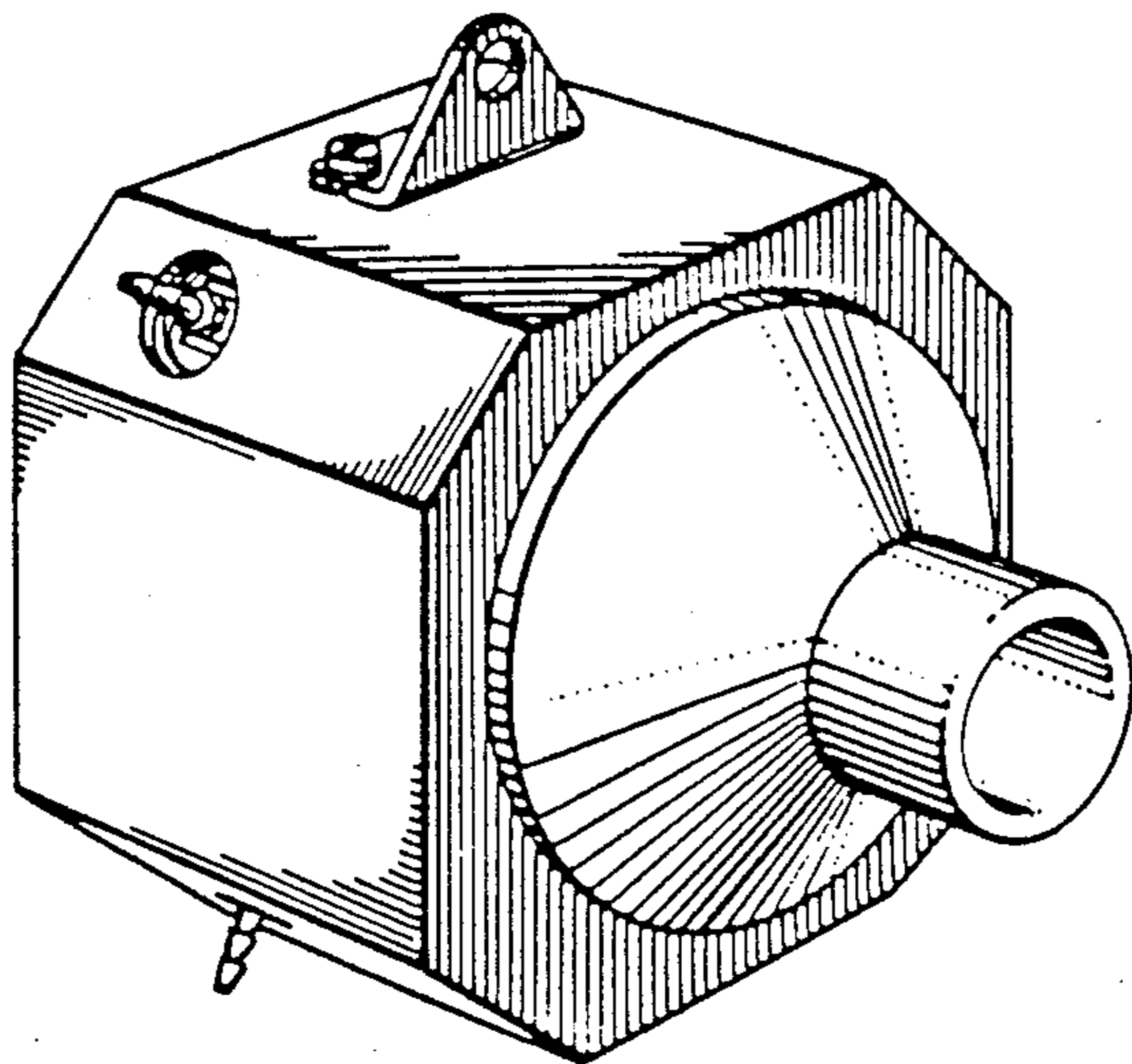
Primary Examiner—Wallace R. Burke  
Assistant Examiner—Stella M. Reid  
Attorney, Agent, or Firm—Litman, McMahon & Brown

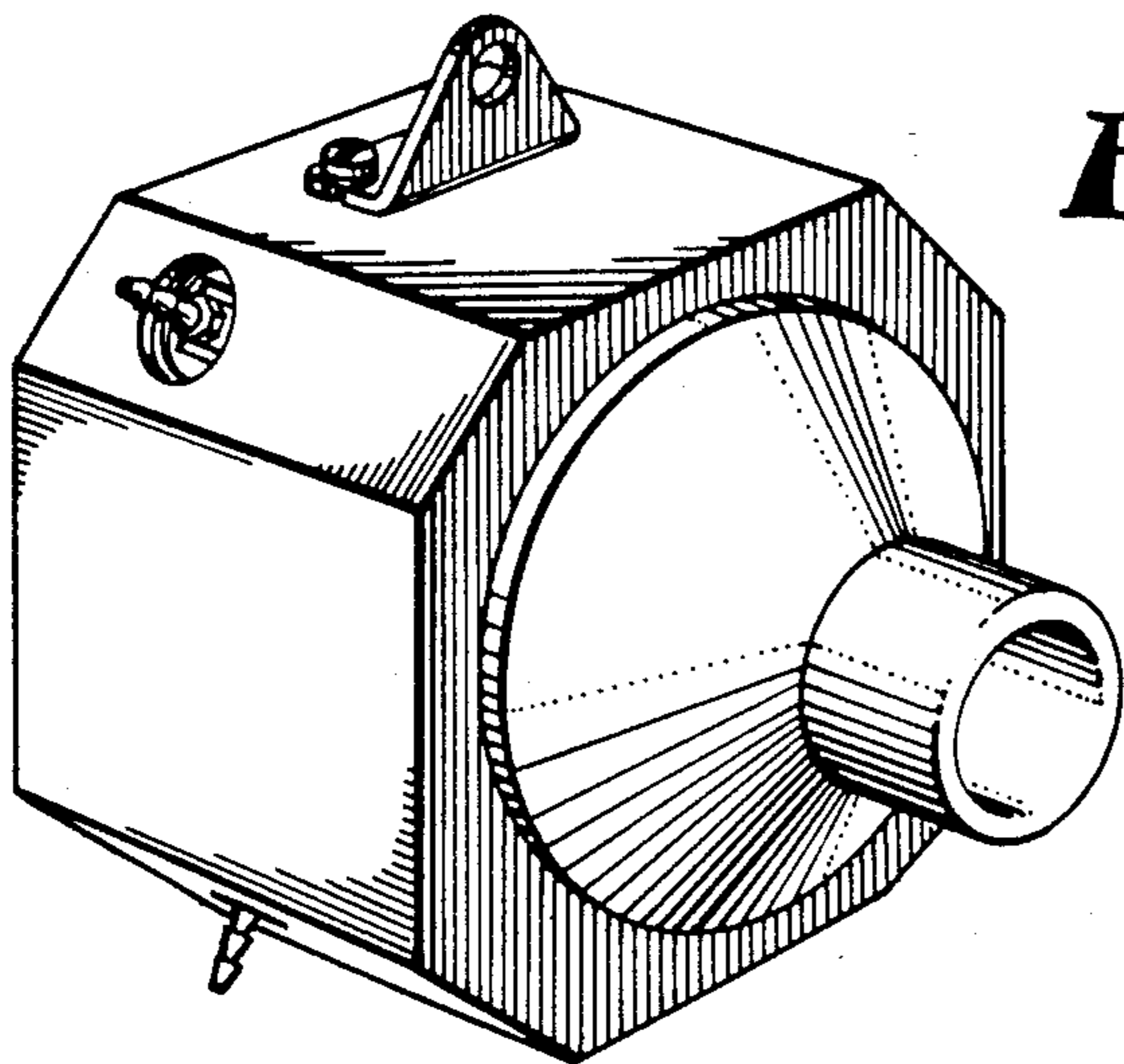
[57] CLAIM

The ornamental design for a five way respiratory valve, as shown and described.

DESCRIPTION

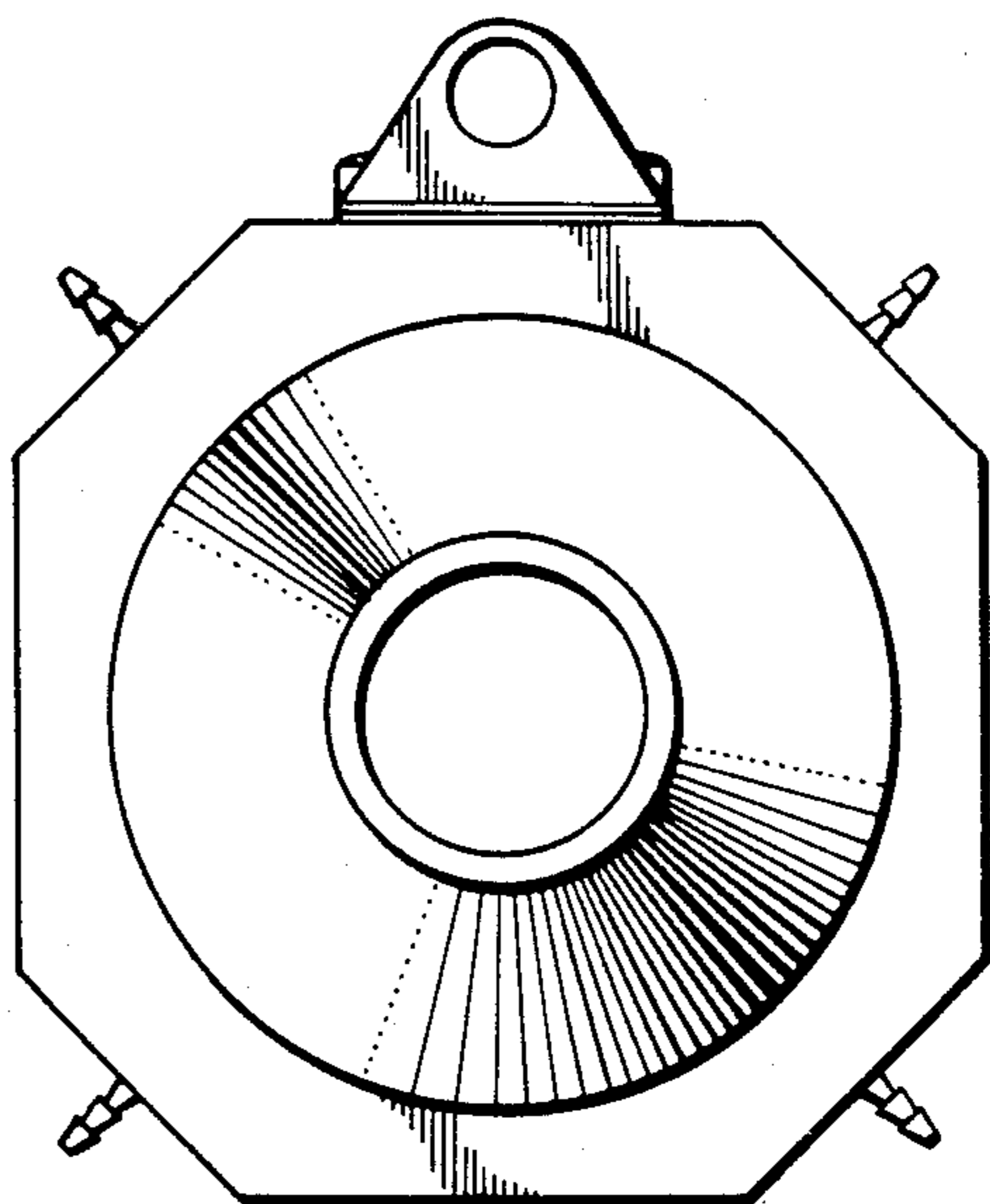
FIG. 1 is a perspective view of a five way respiratory valve showing our new design; FIG. 2 is a rear elevational view thereof; FIG. 3 is a top plan view thereof; FIG. 4 is a front elevational view thereof; FIG. 5 is a bottom plan view thereof; and FIG. 6 is a side elevational view thereof, the opposite side being a mirror image thereof.



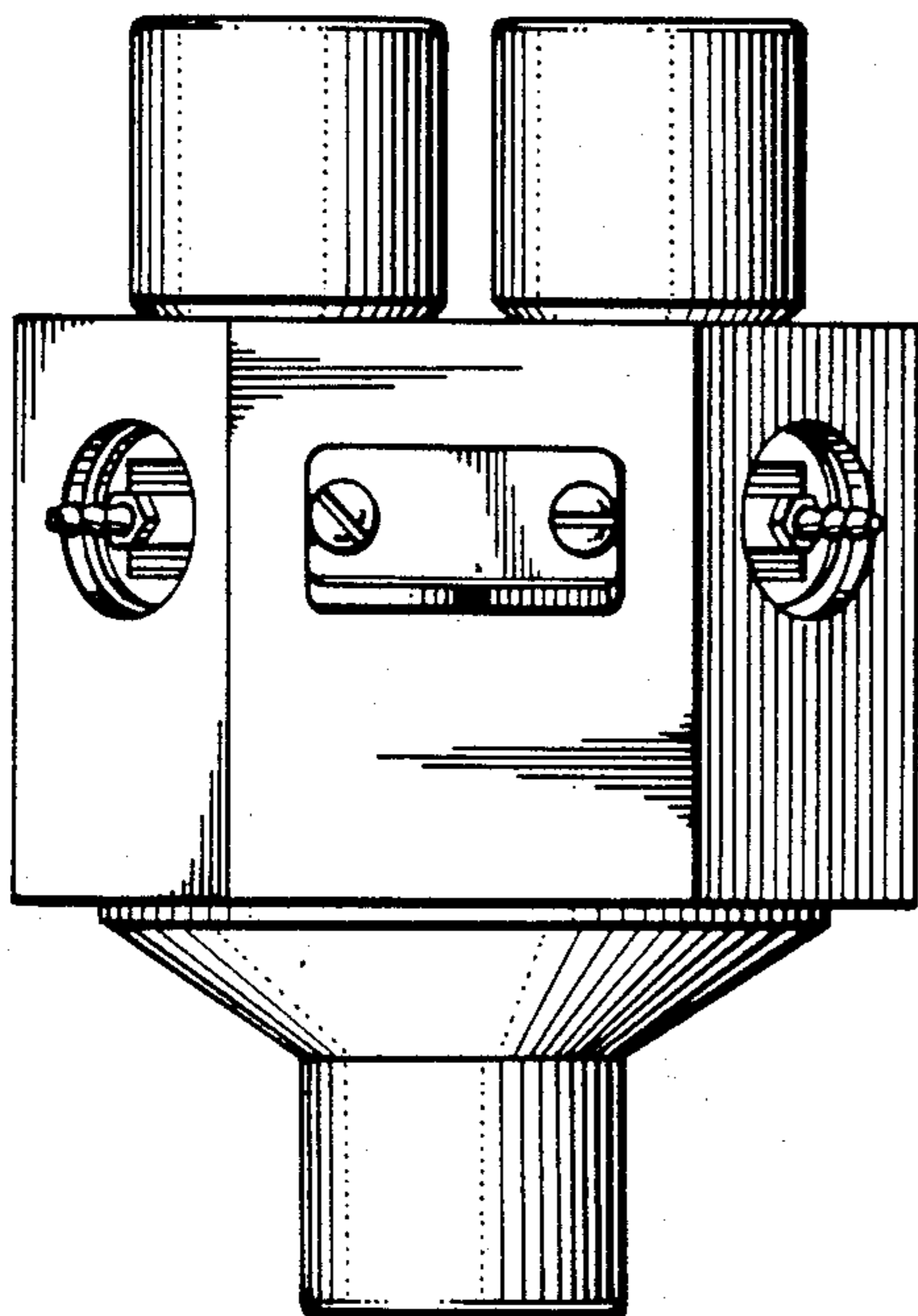


**Fig. 1.**

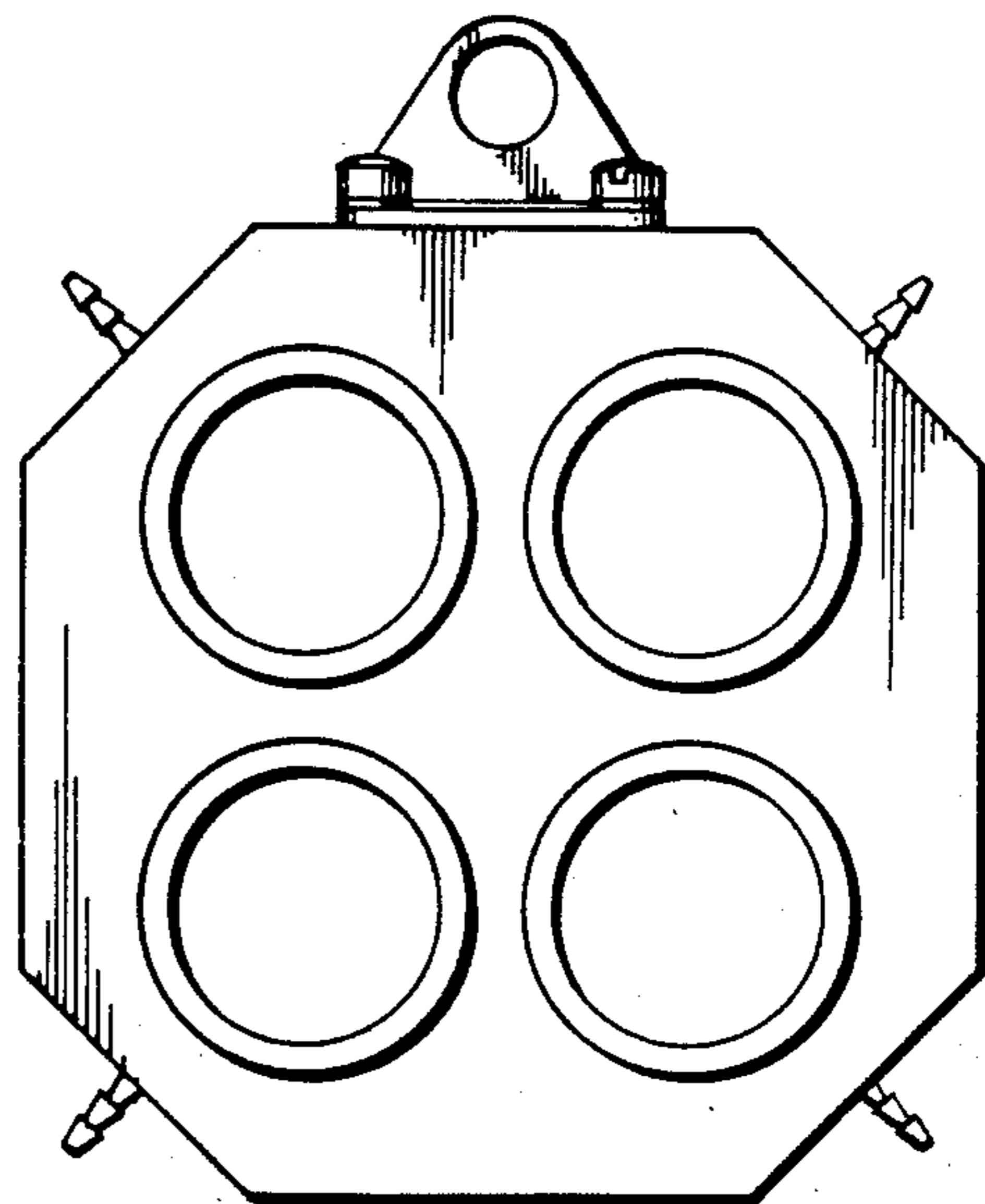
**Fig. 2.**



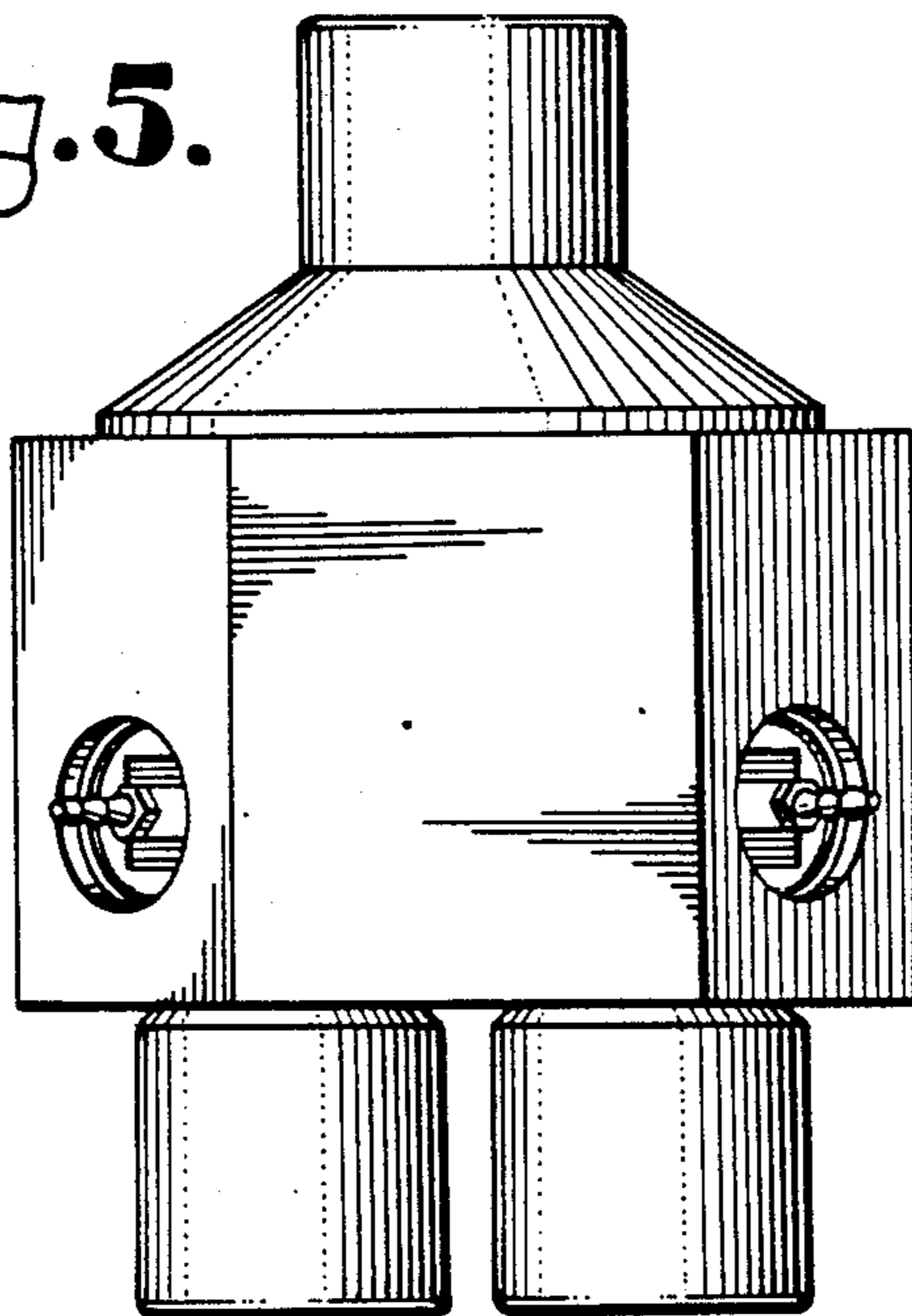
**Fig. 3.**



**Fig. 4.**



*Fig. 5.*



*Fig. 6.*

