

[54] COMBINED CONTAINER/BOTTLE AND COSMETIC WAND APPLICATORS OR THE LIKE

[75] Inventors: Henry J. Cassai, 163-47 85th St., Howard Beach, N.Y. 11414; Gino H. Cassai, Brooklyn, N.Y.

[73] Assignee: Henry J. Cassai, Howard Beach, N.Y.

[**] Term: 14 Years

[21] Appl. No.: 329,495

[22] Filed: Mar. 28, 1989

[52] U.S. Cl. D28/77

[58] Field of Search D28/4-7, D28/73-91.1; D3/39; D9/337, 338, 341, 347, 352, 370, 371, 377, 375; 220/DIG. 26; 206/235, 383, 581, 823; 132/286, 288, 293, 294, 297-301, 303-305, 313-318; 215/1 C

[56] References Cited

U.S. PATENT DOCUMENTS

- D. 183,674 10/1958 Bau D28/7
D. 209,182 11/1967 Buchner D28/77

D. 278,208 4/1985 Cassai et al. D9/352

FOREIGN PATENT DOCUMENTS

868170 5/1961 United Kingdom 215/1 C

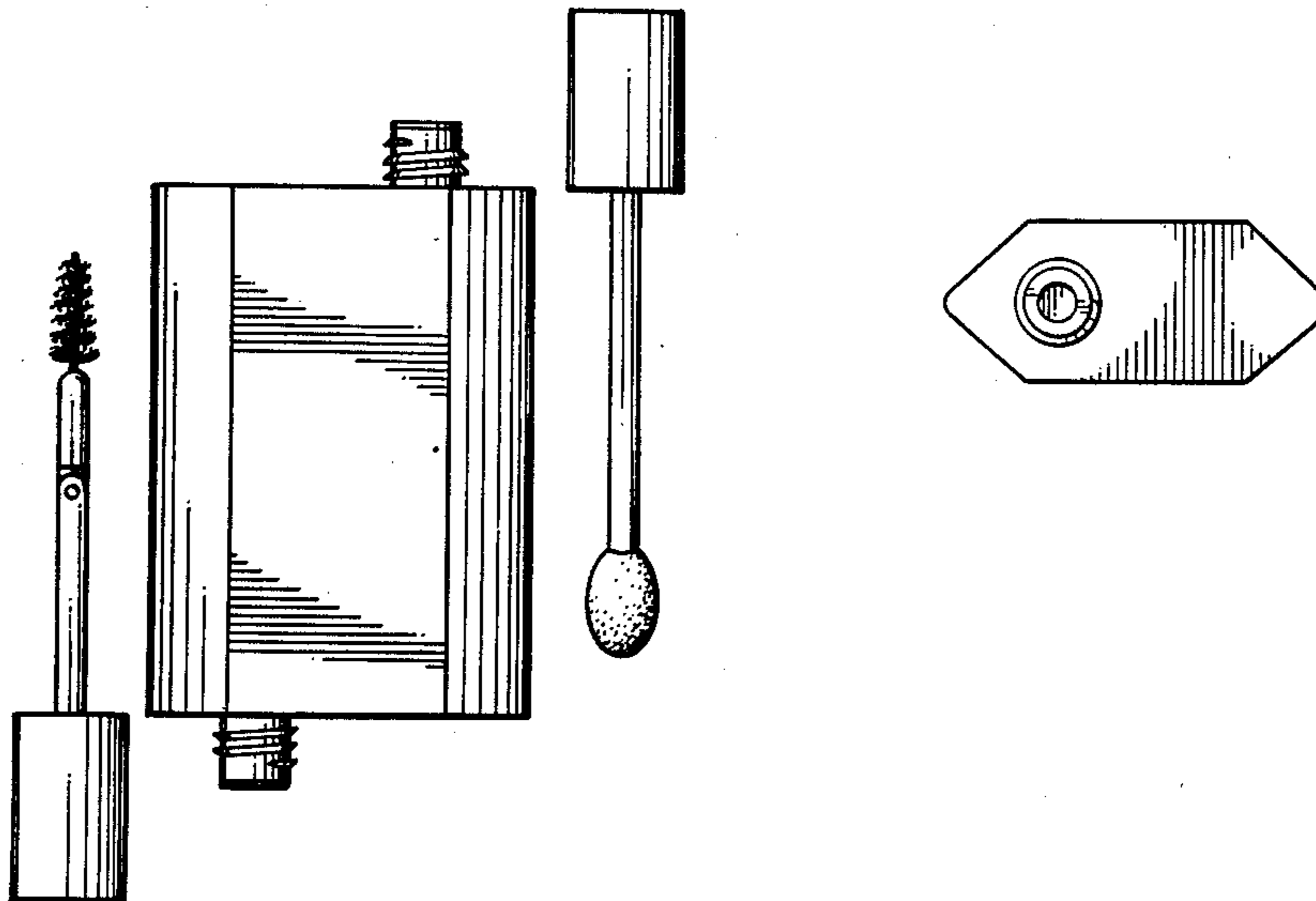
Primary Examiner—Louis S. Zarfes

[57] CLAIM

The ornamental design for a combined container/bottle and cosmetic wand applicators or the like, as shown and described.

DESCRIPTION

FIG. 1 is an exploded front elevational view of a combined container/bottle and cosmetic wand applicators or the like, showing our new design; FIG. 2 is an exploded rear elevational view thereof; FIG. 3 is a side elevational view, the opposite side being the same; FIG. 4 is another side elevational view showing a second embodiment of our new design, wherein the caps have been modified; FIG. 5 is a top plan view of FIG. 1 with cap removed; FIG. 6 is a bottom plan view thereof, with cap removed; FIG. 7 is a front elevational view of the first embodiment.



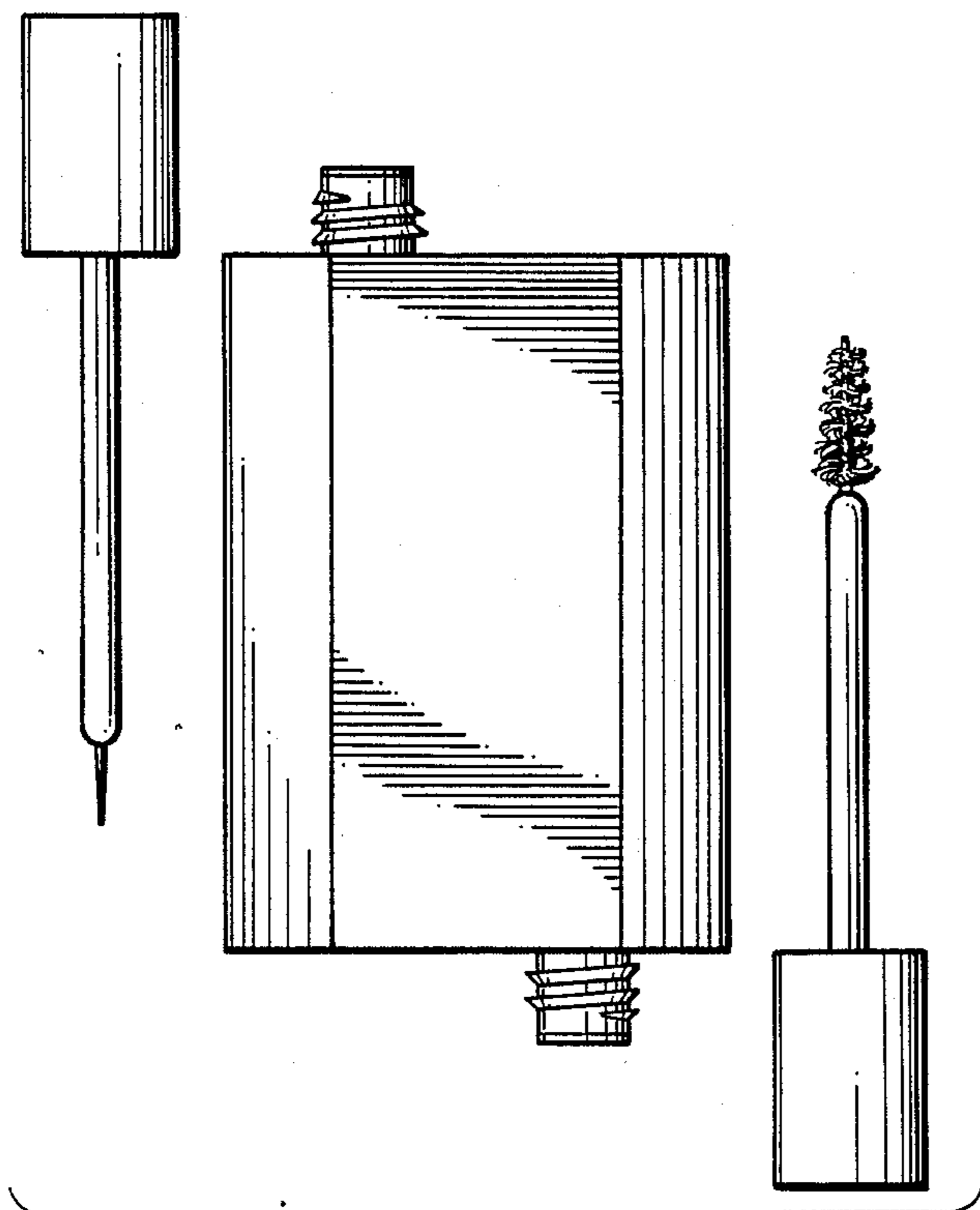


FIG. 1

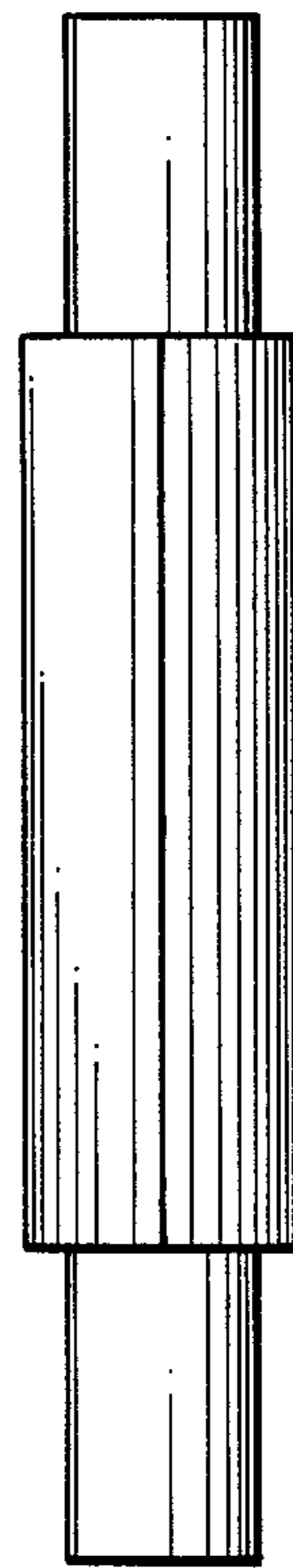


FIG. 3

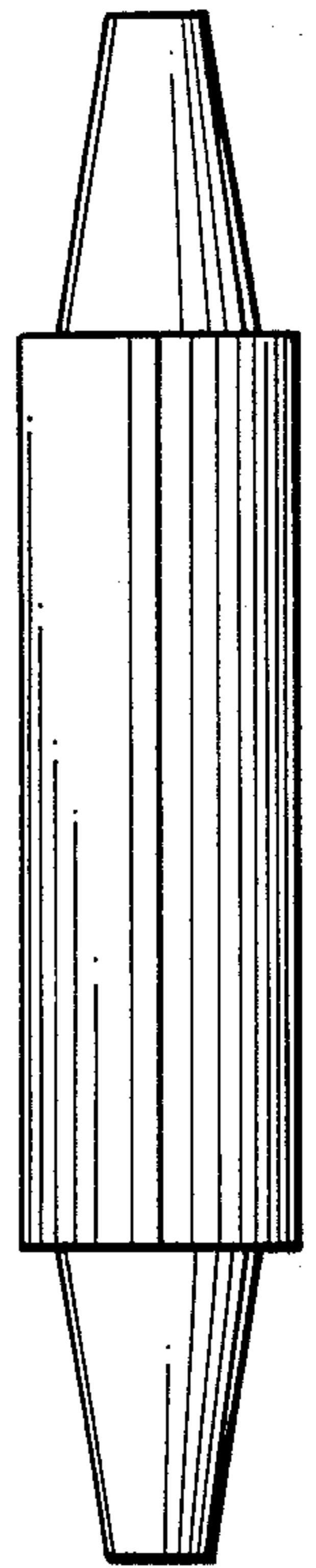


FIG. 4

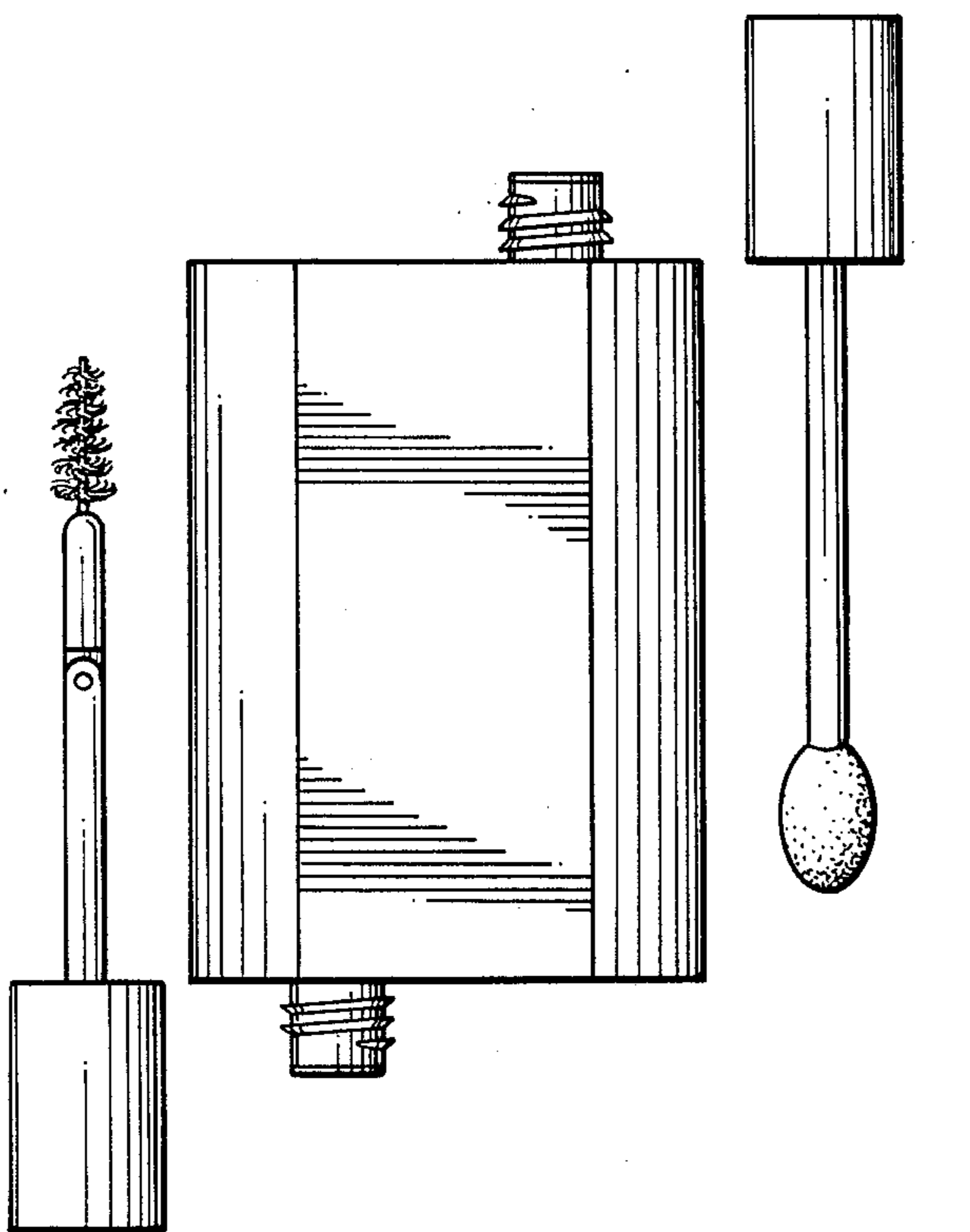


FIG. 2

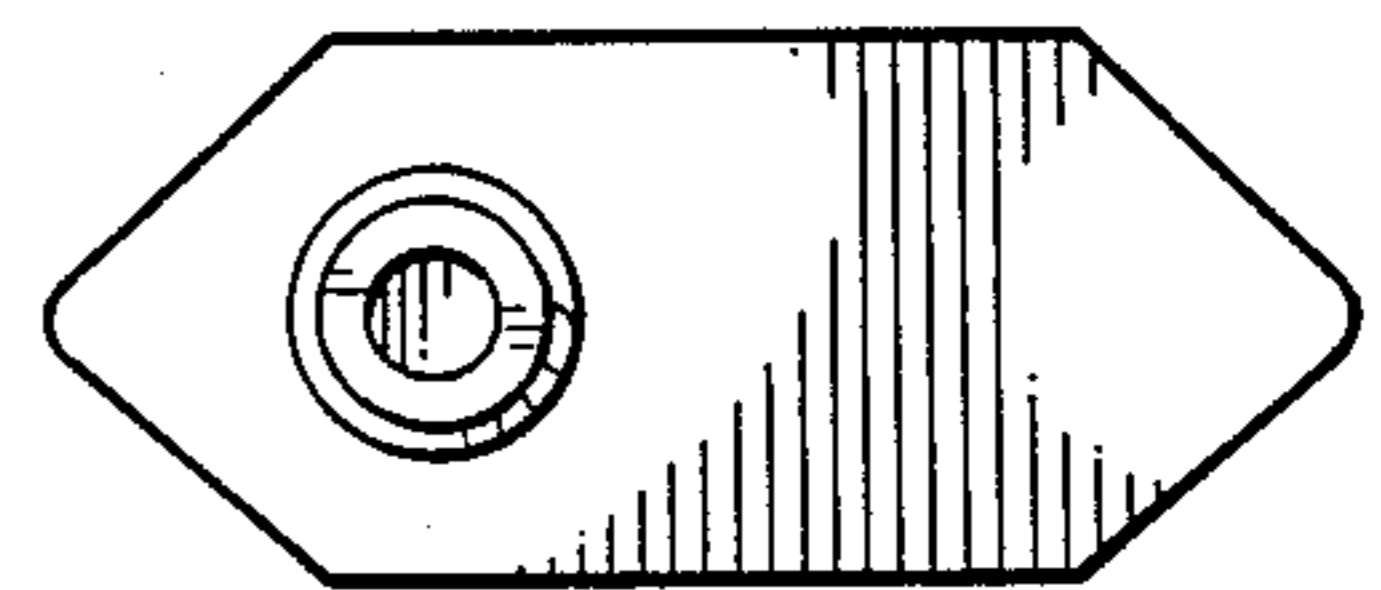


FIG. 5

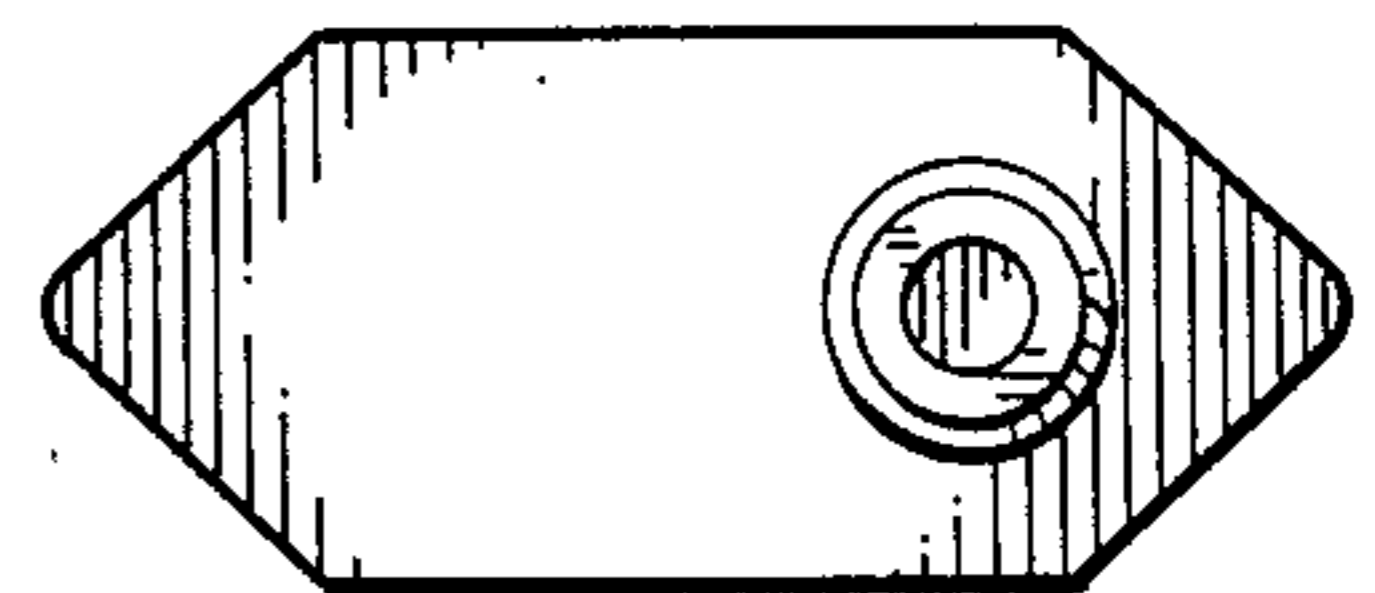


FIG. 6

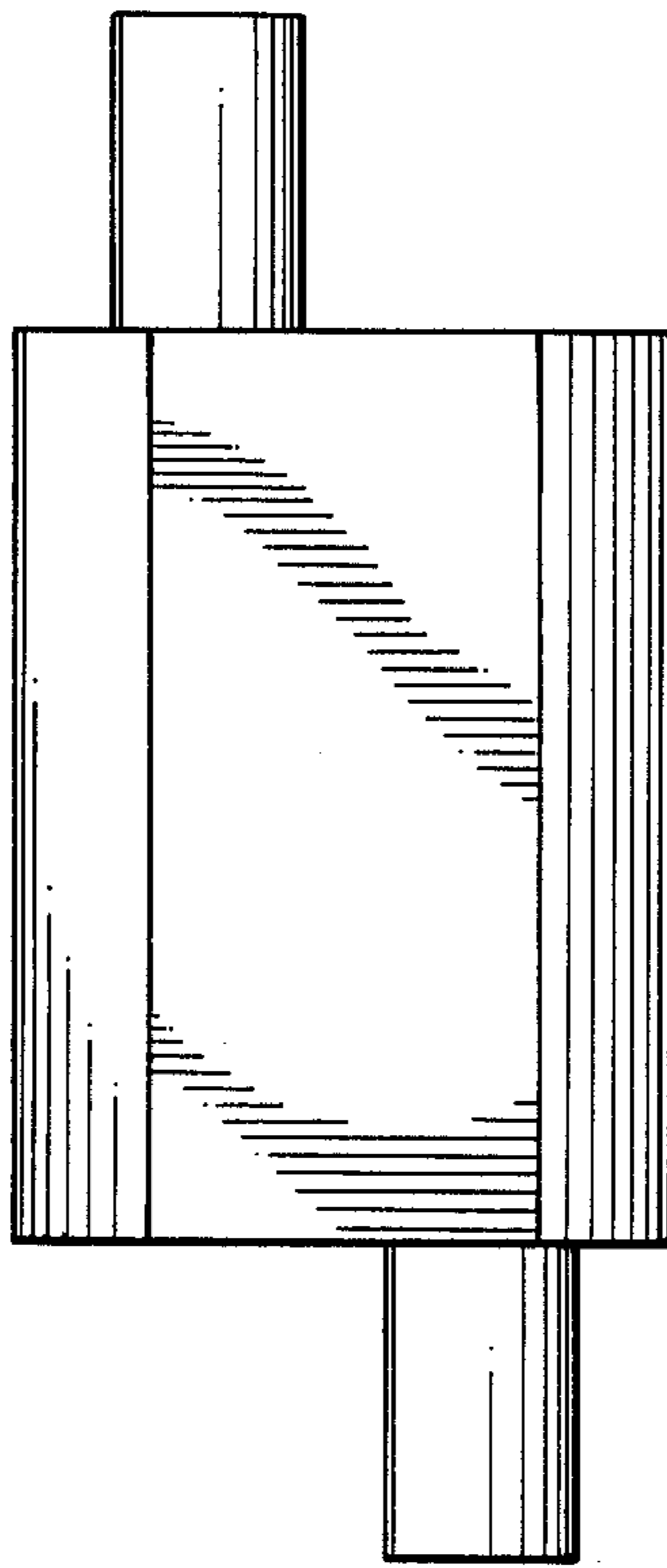


FIG. 7