

[54] **SHOWER DOOR HEAD TRACK**

[75] **Inventor: John Whitney, Victoria, Australia**

[73] **Assignee: Dowell Australia Limited, Preston, Australia**

[**] **Term: 14 Years**

[21] **Appl. No.: 81,175**

[22] **Filed: Aug. 4, 1987**

[52] **U.S. Cl. D25/119**

[58] **Field of Search D25/47, 48, 49; 49/501; 52/730, 732, 738**

[56] **References Cited**

U.S. PATENT DOCUMENTS

D. 243,682 3/1977 Dallaire D25/119
1,988,647 1/1935 Emerson et al. 52/730
3,795,076 3/1974 Anderson 49/501

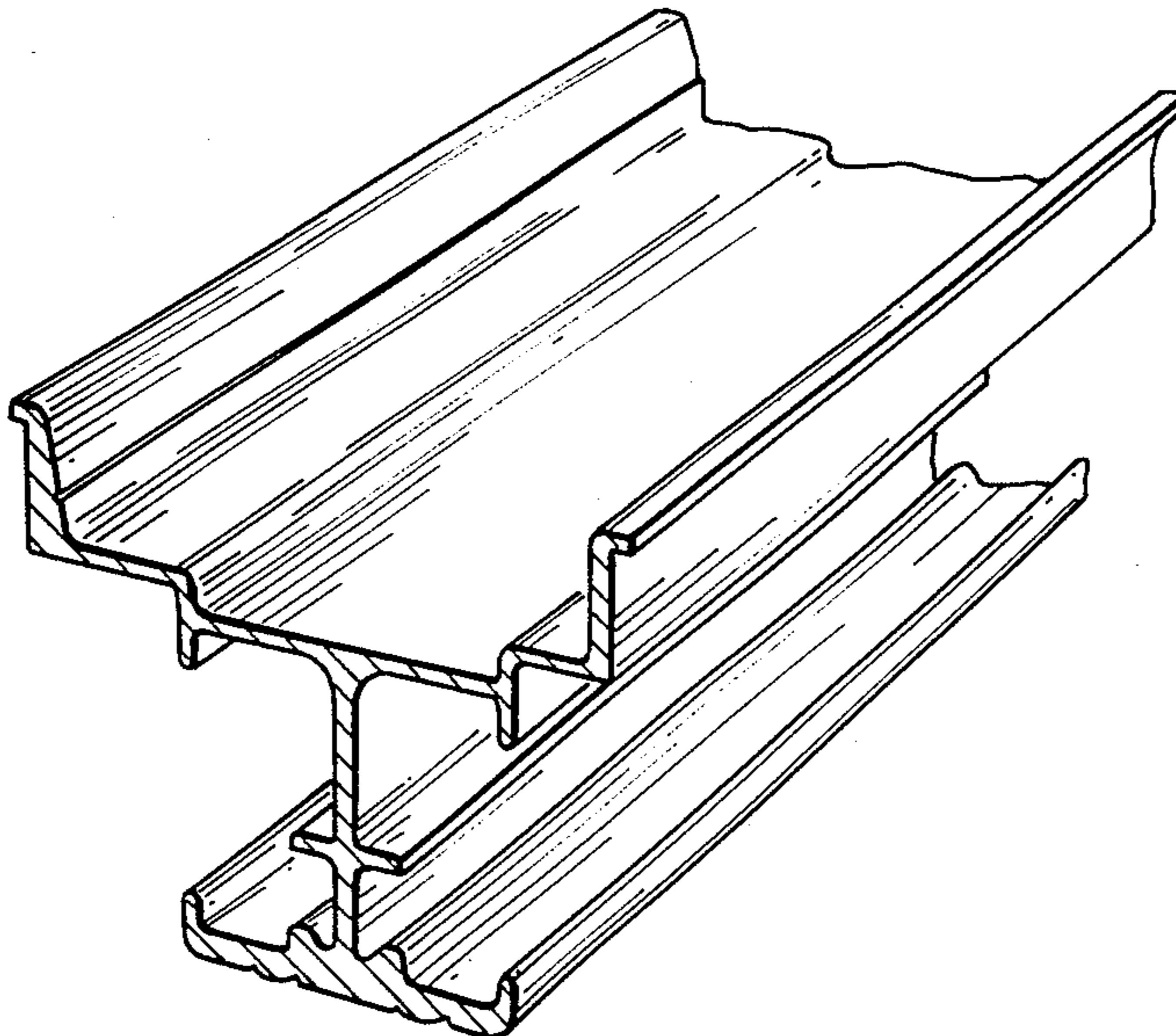
Primary Examiner—A. Hugo Word
Assistant Examiner—Doris Clark
Attorney, Agent, or Firm—Foley & Lardner, Schwartz, Jeffery, Schwaab, Mack, Blumenthal & Evans

[57] **CLAIM**

The ornamental design for a shower door head track, as shown.

DESCRIPTION

FIG. 1 is a top perspective view of a shower door head track showing my new design; FIG. 2 is a bottom perspective view thereof; and, FIG. 3 is an end elevational view thereof.



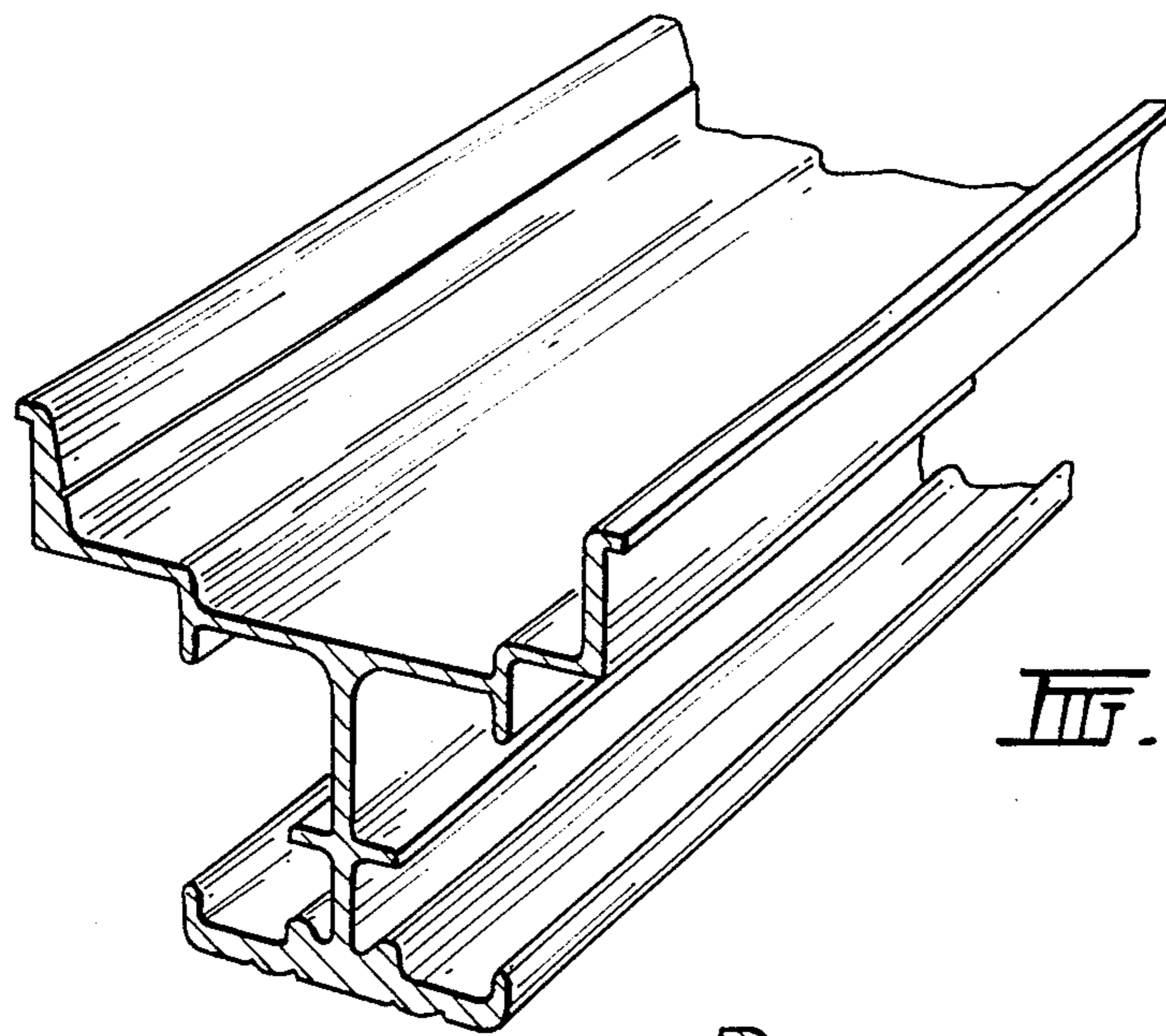


FIG. 1.

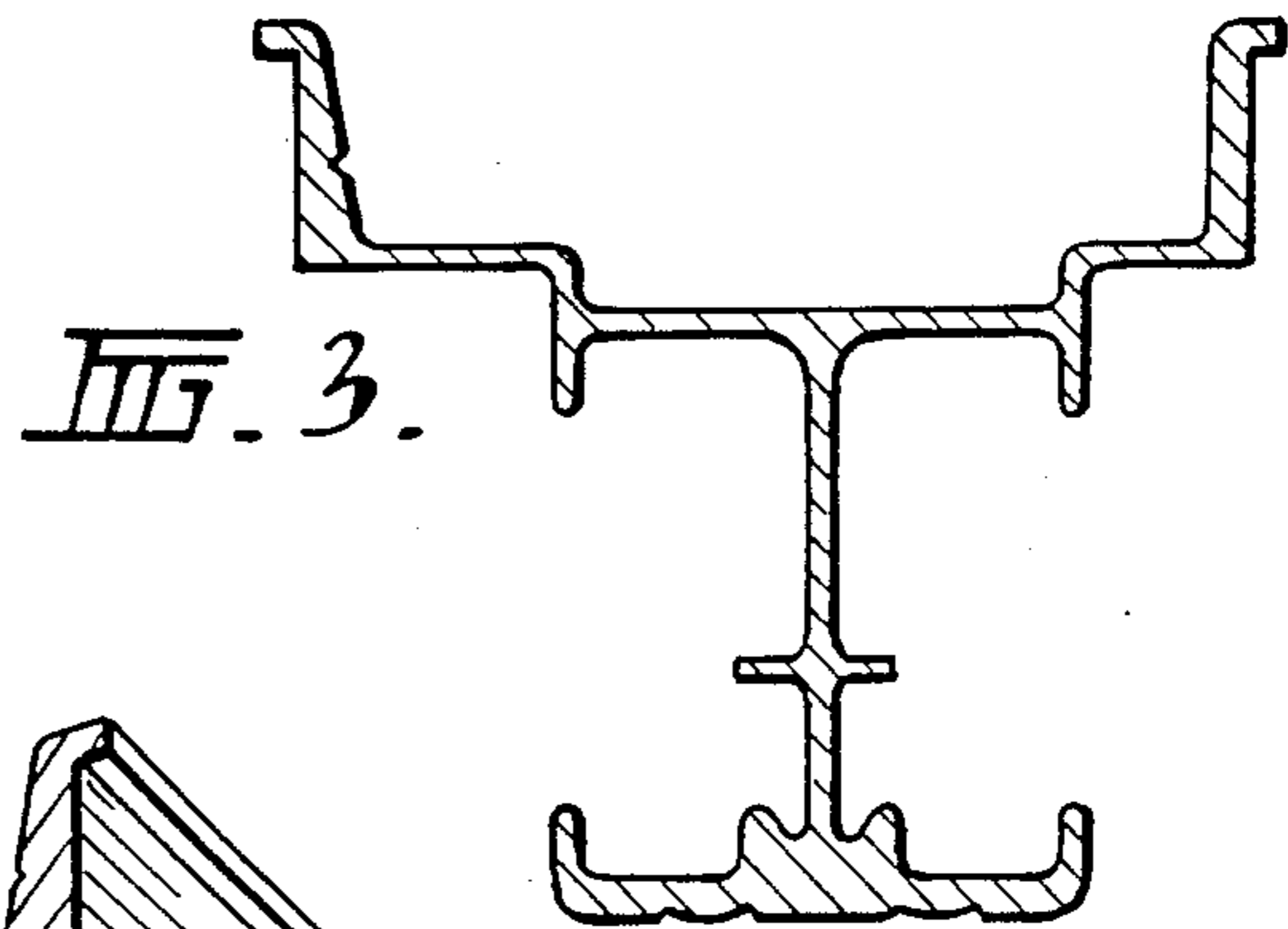


FIG. 3.

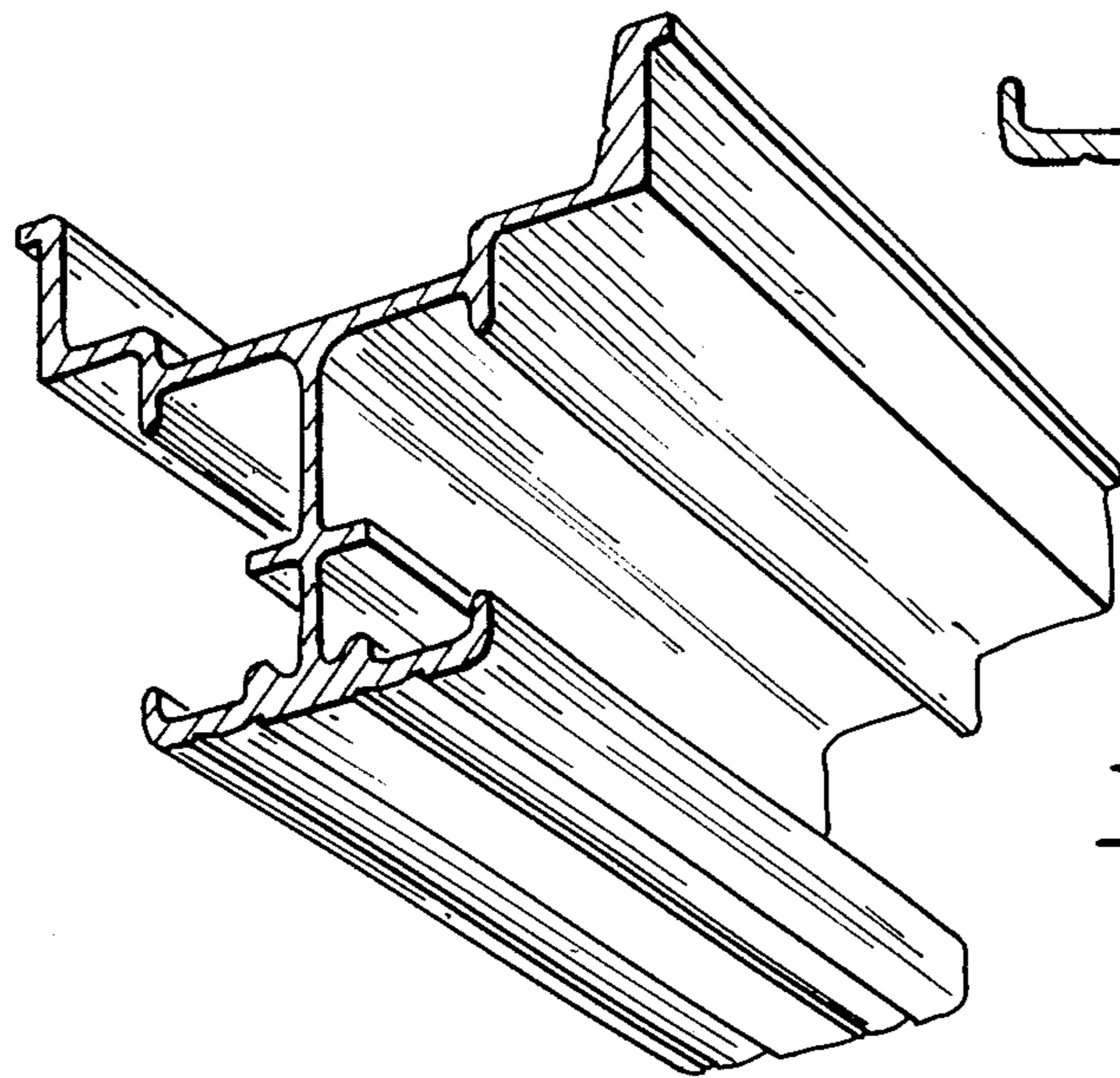


FIG. 2.