

[54] **SHOWER DOOR FRAME RETURN JAMB**

[75] **Inventor: John Whitney, Victoria, Australia**

[73] **Assignee: Dowell Australia Limited, Preston, Australia**

[**] **Term: 14 Years**

[21] **Appl. No.: 81,166**

[22] **Filed: Aug. 4, 1987**

[52] **U.S. Cl. D25/119**

[58] **Field of Search D25/47, 48, 49; 49/501; 52/730, 732, 738**

[56] **References Cited**

U.S. PATENT DOCUMENTS

D. 165,982 2/1952 Kennedy D25/119
969,163 9/1910 Honter 49/501
3,418,755 12/1968 Chiaro 49/501

Primary Examiner—A. Hugo Word

Assistant Examiner—Doris Clark

Attorney, Agent, or Firm—Foley & Lardner, Schwartz, Jeffery, Schwaab, Mack, Blumenthal & Evans

[57] **CLAIM**

The ornamental design for a shower door frame return jamb, as shown.

DESCRIPTION

FIG. 1 is a top perspective view of a shower door frame return jamb showing my new design;

FIG. 2 is a bottom perspective view thereof; and,

FIG. 3 is an elevational end view thereof.

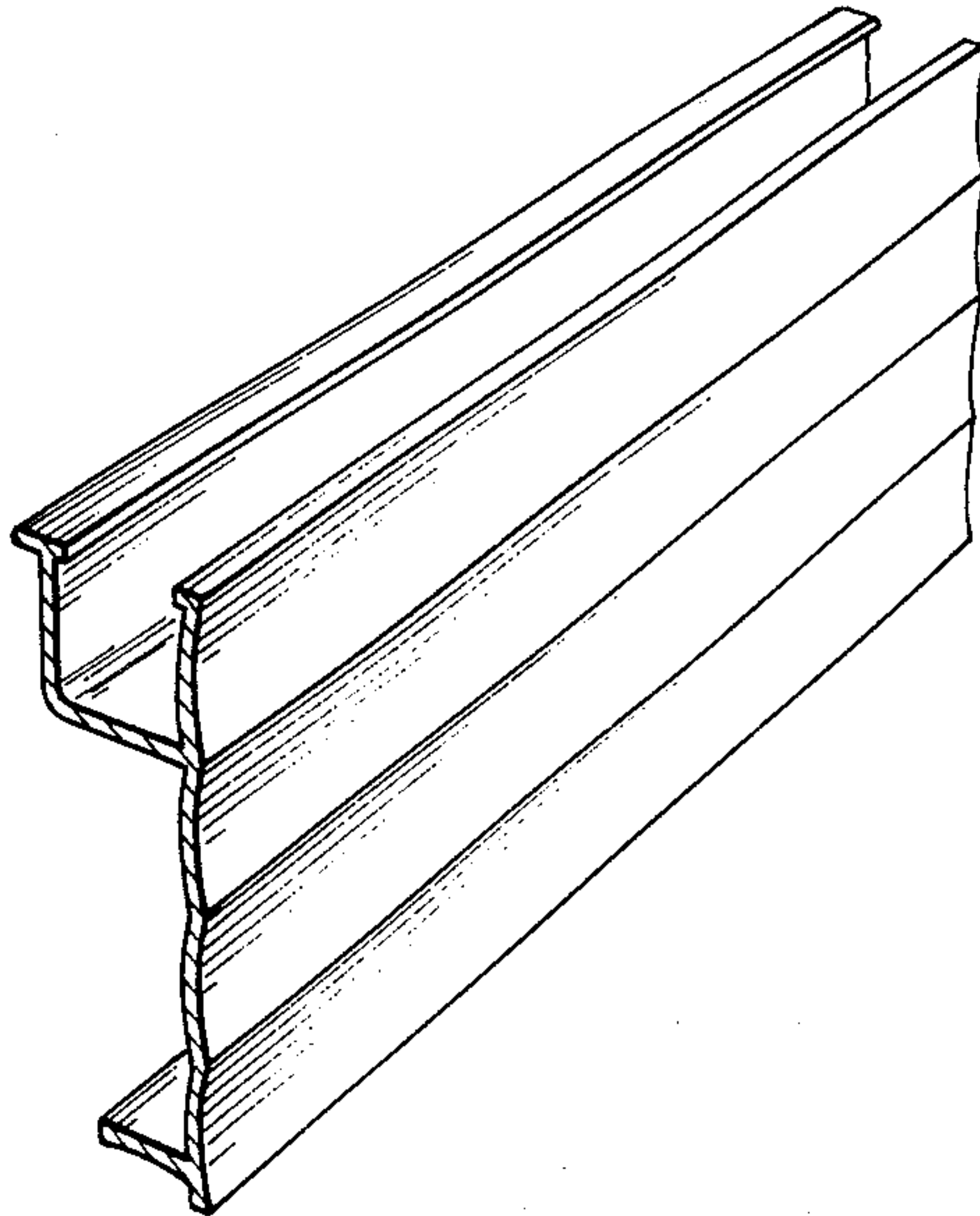


FIG. 1.

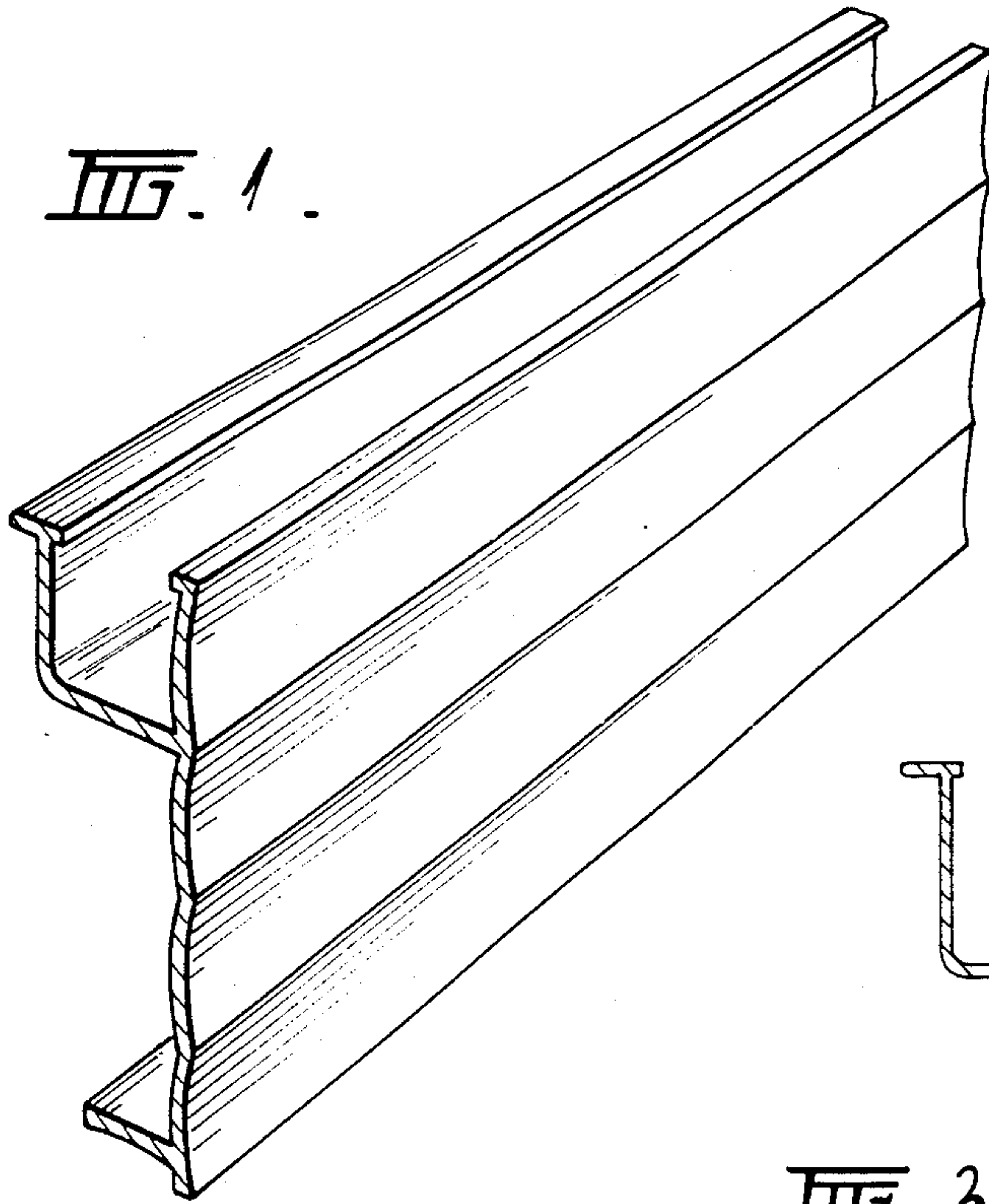


FIG. 3.

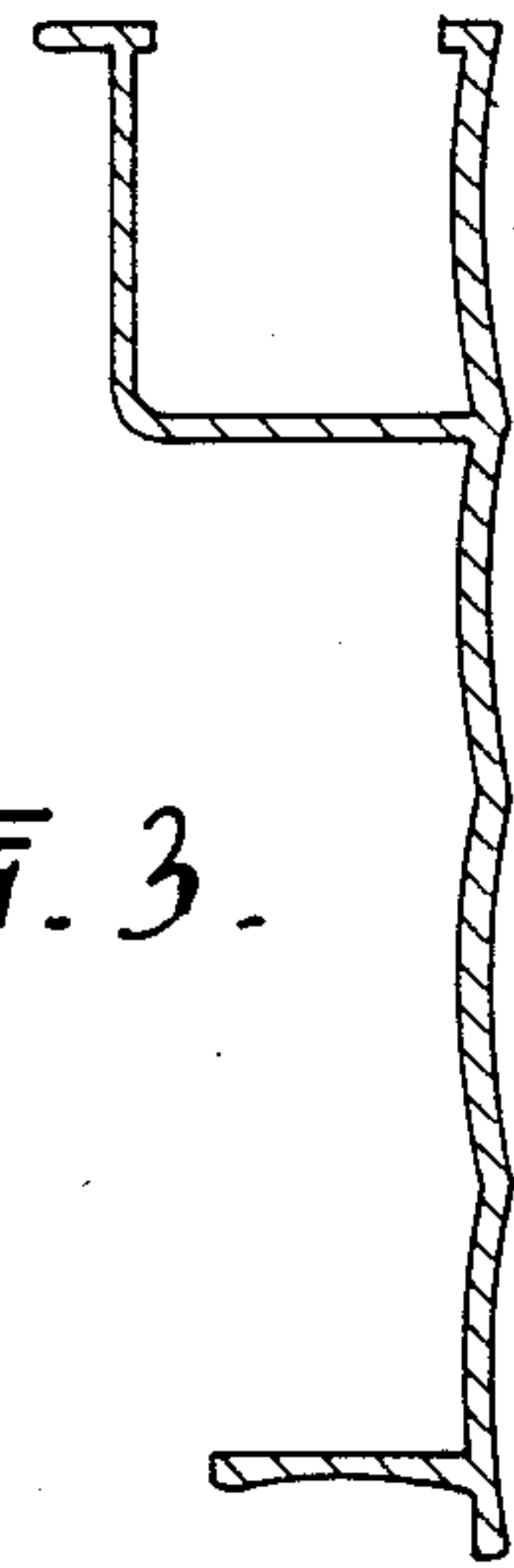


FIG. 2.

