

[54] **SHOWER DOOR PANEL FRAME MEMBER**

[75] **Inventor: John Whitney, Victoria, Australia**

[73] **Assignee: Dowell Australia Limited, Preston, Australia**

[\*\*] **Term: 14 Years**

[21] **Appl. No.: 81,183**

[22] **Filed: Aug. 4, 1987**

[52] **U.S. Cl. .... D25/119**

[58] **Field of Search ..... D25/47, 48, 49; 49/501; 52/730, 731, 738**

[56] **References Cited**

**U.S. PATENT DOCUMENTS**

D. 169,234 3/1953 Woodworth ..... D25/48  
3,416,282 12/1968 Daugherty ..... 52/732  
4,344,255 8/1982 Knoll ..... 49/501

*Primary Examiner*—A. Hugo Word  
*Assistant Examiner*—Doris Clark  
*Attorney, Agent, or Firm*—Foley & Lardner, Schwartz, Jeffery, Schwaab, Mack, Blumenthal & Evans

[57] **CLAIM**

The ornamental design for a shower door panel frame member, as shown.

**DESCRIPTION**

FIG. 1 is a top perspective view of a shower door panel frame member showing my new design; FIG. 2 is a bottom perspective view thereof; and, FIG. 3 is an end elevational view thereof.

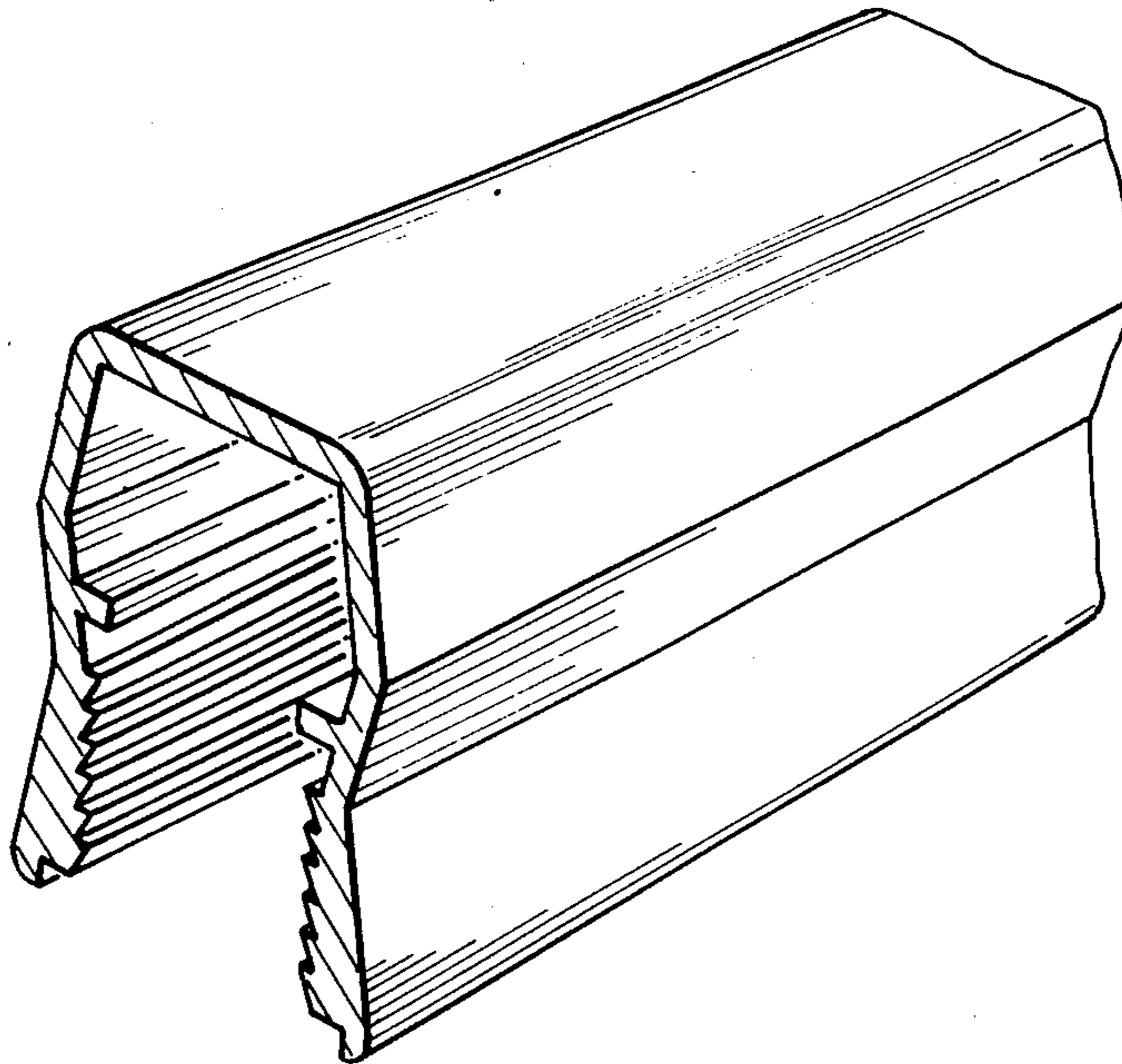


FIG. 1.

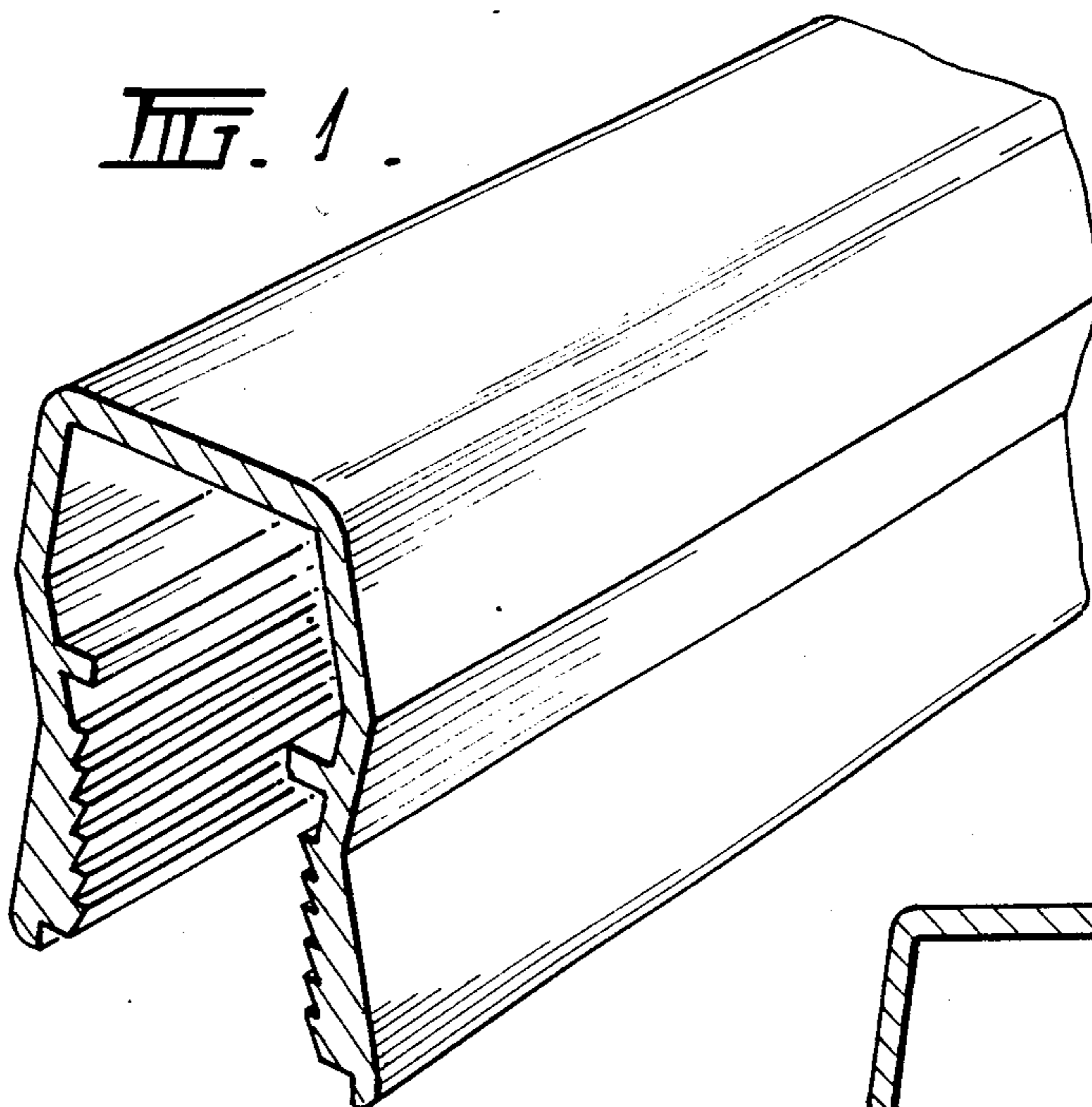


FIG. 2.

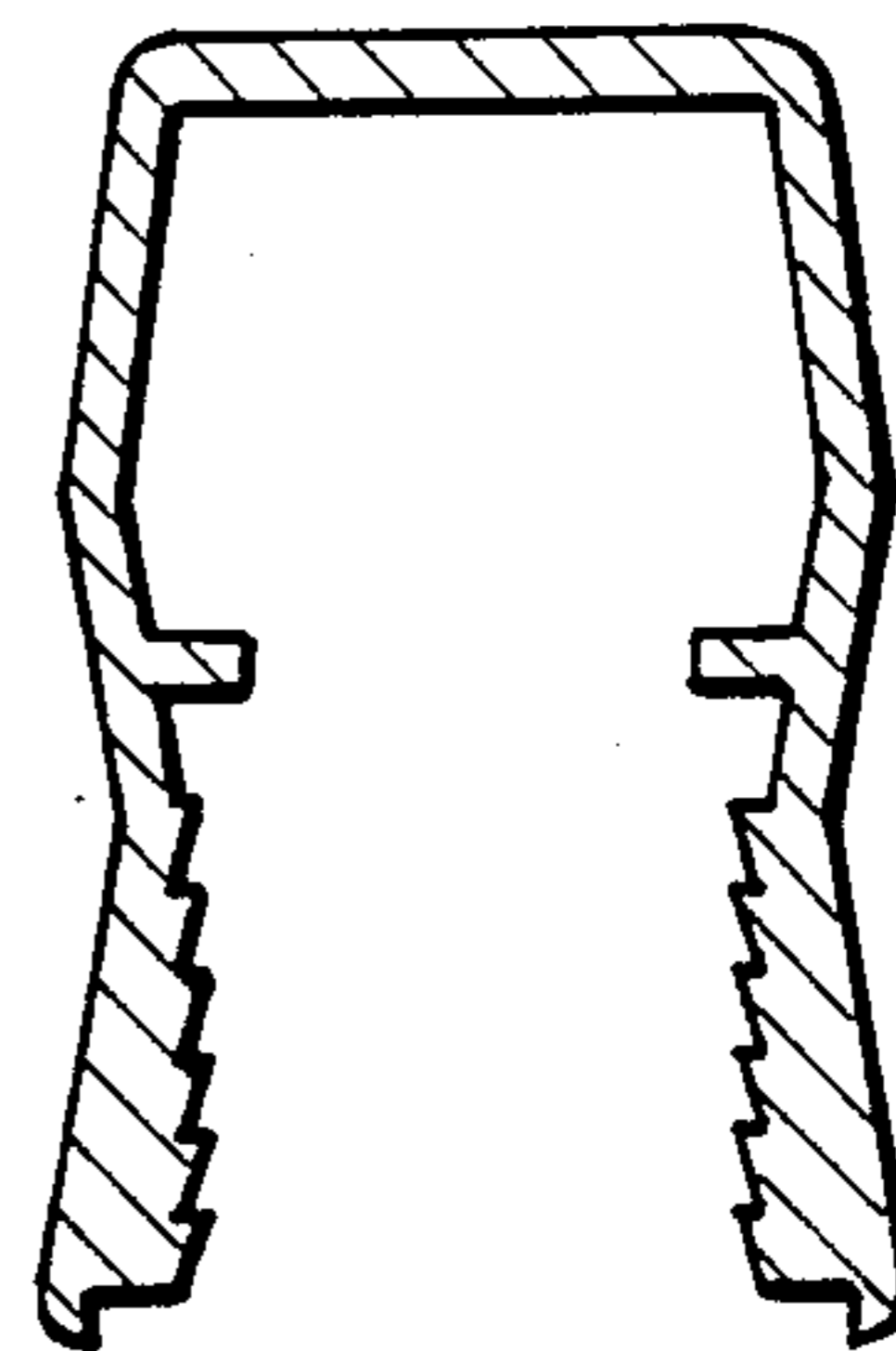


FIG. 3.

